

**Innovation in Every Wave**

**153B-600-6000** is an In-Line Ultra Wideband Low-PIM 3-Way Wilkinson Power Splitter, designed specifically for the DAS and In-Building Wireless Industry to covers CBRS, C-Band and LTE-LAA. The same unit can work both as a combiner and a divider for signals between 600MHz and 6000MHz. Mounting holes enable them to be easily mounted on structures. It also has a low Insertion Loss with a good isolation between the channels. Available in 4.3-10 or NEX10 connectors.

**FEATURES:**

- 3-Way In-Line Device
- Splits or Combines signals between 600MHz - 6000MHz
- **CBRS, C-Band** and **LTE-LAA** Ready.
- Low Insertion Loss and low VSWR
- PIM, -155dBc (min)
- 80W Power Handling
- *RoHS* Compliant
- Rugged, Weatherproof / Outdoor unit
- In Stock to low lead time delivery
- Available in 4.3-10 and NEX10 Connectors standard



**SPECIFICATIONS:**

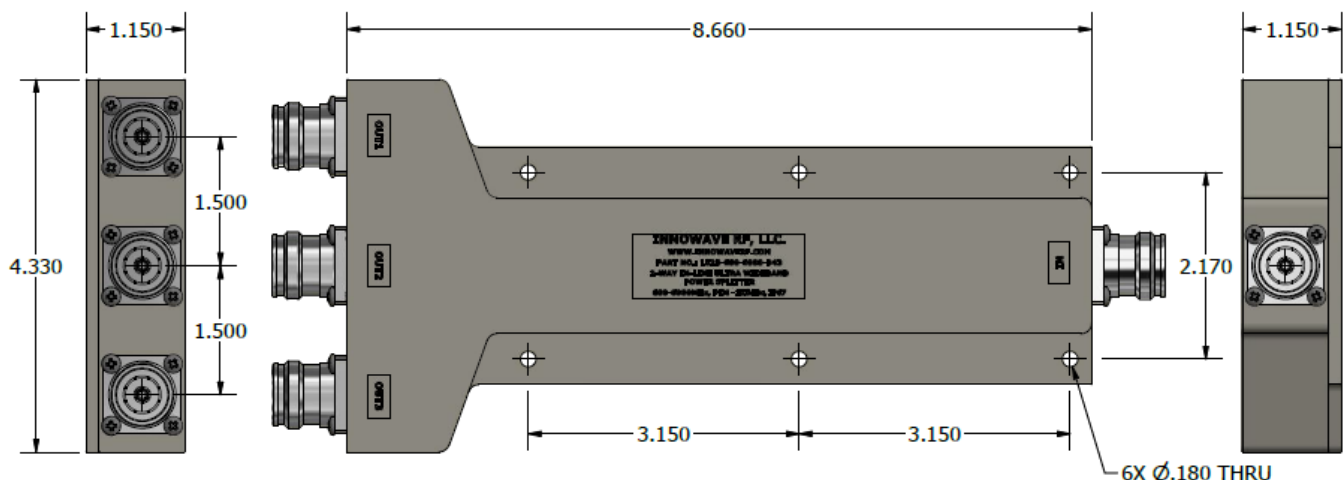
|                            |  |
|----------------------------|--|
| Frequency Range:           | 600 MHz – 6000 MHz                               |
| Passband Insertion Loss:   | 1.10 dB<br>(Over the theoretical loss of 4.8 dB) |
| VSWR:                      | ≤ 1.35   |
| Power Handling (Splitter): | 80 W (Avg)                                       |
| Isolation:                 | ≥ 16 dB  |
| Impedance:                 | 50Ω  |
| PIM – 3 <sup>rd</sup> :    | -155 dBc (2 Tones +43 dBm)                       |
| Temperature Range:         | -30°C to 70°C                                    |
| Weight:                    | 1.50 lbs   |
| Mounting Method:           | Mounting Holes                                   |
| Humidity:                  | 5% - 95%   |
| Environment:               | IP67   |

**ORDERING INFO:**

- 153B-600-6000-D43 --- 4.3-10 Connector
- 153B-600-6000-X10 --- NEX10 Connector

**APPLICATIONS:**

- DAS & In-Building Wireless
- Small Cell Networks
- Wi-Fi / WiMAX
- Cellular and GPS
- Instrumentation



Please contact our sales department at 737-200-7090 or [sales@InnowaveRF.com](mailto:sales@InnowaveRF.com) for any custom requirements.

© Innowave RF, LLC. All Rights Reserved. Specs can change without notice. Drawings are for reference purpose only.