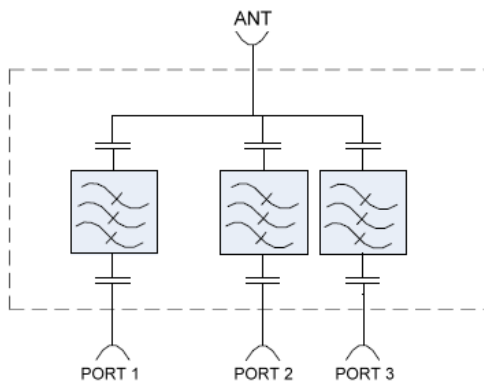
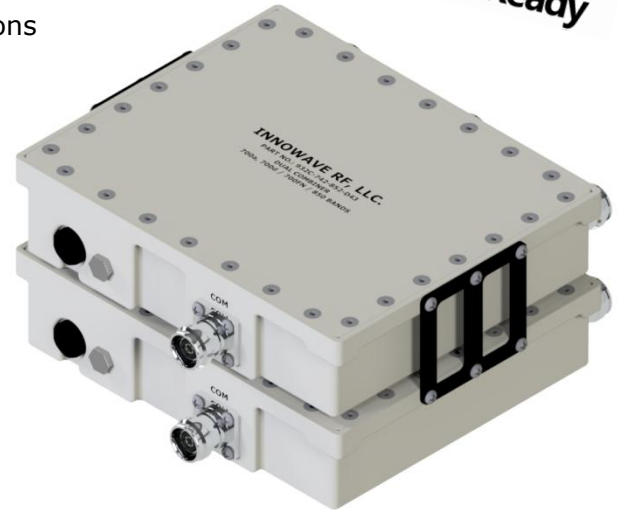


FEATURES:

- Splits or combines the **700 Band (B12, B29) + FirstNet Band (B14)** and **850 Band**
- **Compact Design** with **Single / Dual Stacked** combiner models available for tight space applications
- Available in **Single Model (931C Series)**
- Excellent Isolation between the bands
- Very low Insertion Loss with superior out of band rejections
- Available in DIN, Mini-DIN, 4.3-10 or Type-N Connectors
- Low-PIM with High Power Handling
- **RoHS** Complaint
- In Stock and Available Immediately


ELECTRICAL SPECIFICATIONS:

| Frequency Bands | 700 a & 700 d 698MHz - 746MHz | 700 FirstNet 758MHz - 768MHz 788MHz - 798MHz | 850 MHz 814MHz - 896MHz |
|--|----------------------------------|--|----------------------------|
| Passband Insertion Loss | 0.25 dB | | |
| Isolation | ≥ 40 dB | | |
| Return Loss | 21 dB | | |
| Impedance | 50 Ohms | | |
| Input Power | 40 Watts (Avg); 200 Watts (Peak) | | |
| Intermodulation (PIM - 3 rd) | -161dBc (2 Tones +43 dBm) | | |
| Lightning Protection | 8/20S 10kA Pulse (IEC801-5) | | |
| MTBF Hours | ≥ 500,000 | | |

MECHANICAL SPECIFICATIONS:

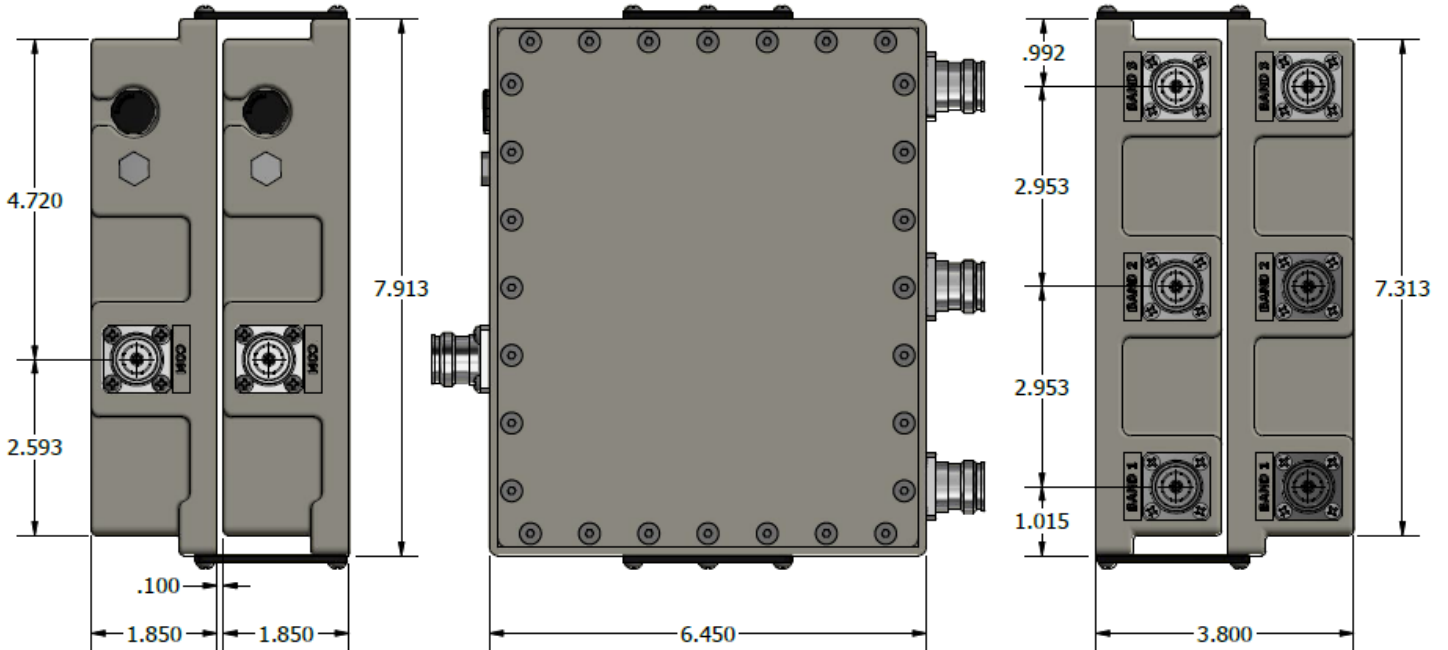
| | |
|--------------------|---|
| Connectors: | Type-N (N) / DIN (D) / Mini-DIN (MD) / 4.3-10 (D43) |
| Housing Finish: | Aluminum Body |
| Mounting Method: | Mounting Holes |
| Temperature Range: | -30°C to 60°C |
| Humidity: | 5% - 95% |
| Weight: | 4.50 lbs |
| Environment: | IP67 |

***** ORDERING INFO:**
Single Model: Part#: 931C-742-852-*

Dual Model: Part#: 932C-742-852-*

* - Connector Option

Dimensions for 932C-742-852-D43



SINGLE UNITS AVAILABLE (931C SERIES)

Please contact our sales department at 737-200-7090 or sales@InnowaveRF.com for any custom requirements.
 © Innowave RF, LLC. All Rights Reserved. Specs can change without notice. Drawings are for reference purpose only.