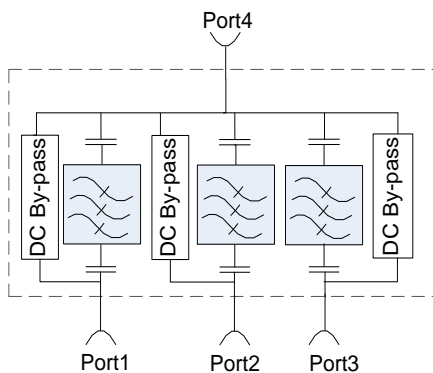


FEATURES:

- Splits or combines the **PCS Band** (1850MHz-2000MHz), **AWS-1 & AWS-3 Bands** (1695MHz-1780MHz & 2110MHz-2180MHz) and **WCS, BRS/2600MHz LTE Bands** (2300MHz-2690MHz)
- Excellent Isolation between the bands
- Very low Insertion Loss with superior out of band rejections
- Available in DIN, Mini-DIN, 4.3-10 or Type-N Connectors
- Low-PIM with High Power Handling
- Ease of Mounting with mounting holes and brackets
- RoHS Complaint
- Weatherproof for Outdoor use
- In Stock and Available Immediately



ELECTRICAL SPECIFICATIONS:

| Frequency Bands | PCS 1850MHz - 2000MHz | AWS-1 & AWS-3 1695MHz - 1780MHz 2110MHz - 2180MHz | WCS, BRS/2600MHz LTE 2300MHz - 2690MHz |
|--|------------------------------------|---|---|
| Passband Insertion Loss | 0.25 dB | | |
| Isolation | ≥ 65 dB | | |
| Return Loss | 21 dB | | |
| Impedance | 50 Ohms | | |
| Input Power | 400 Watts (Avg); 3000 Watts (Peak) | | |
| Intermodulation (PIM - 3 rd) | -161dBc (2 Tones +43 dBm) | | |
| DC Pass Current | 3000mA (Typ) | | |
| Lightning Protection | 8/20S 10kA Pulse (IEC 801-5) | | |
| MTBF Hours | ≥ 500,000 | | |

MECHANICAL SPECIFICATIONS:

- Connectors: Type-N (N) / DIN (D) / Mini-DIN (MD) / 4.3-10 (D43)
- Housing Finish: Aluminum Body
- Mounting Method: Mounting Holes
- Temperature Range: -30°C to 60°C
- Humidity: 5% – 95%
- Environment: IP67

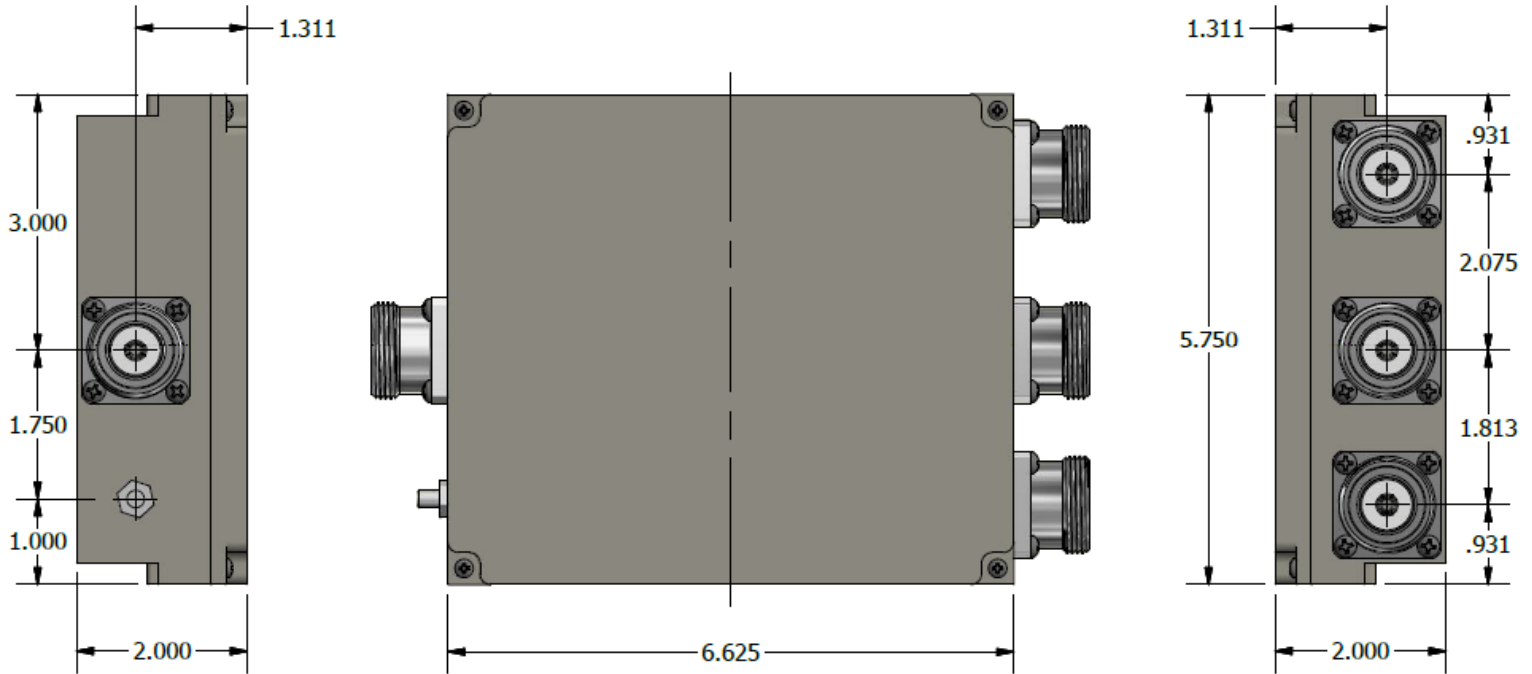
***** ORDERING INFO:**

Single Model: Part#: 931-1800-2490-*

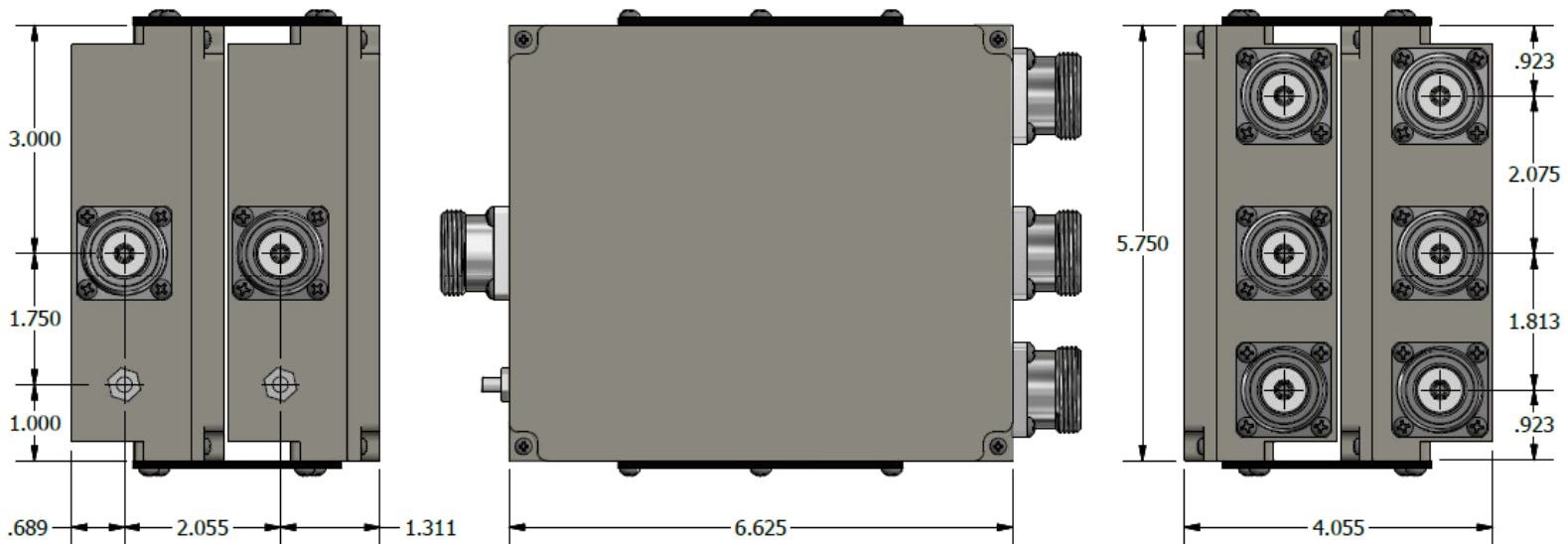
Dual Model: Part#: 932-1800-2490-*

* - Connector Option

Dimensions for 931-1800-2490-D



Dimensions for 932-1800-2490-D



Please contact our sales department at 737-200-7090 or sales@InnowaveRF.com for any custom requirements.
 © Innowave RF, LLC. All Rights Reserved. Specs can change without notice. Drawings are for reference purpose only.