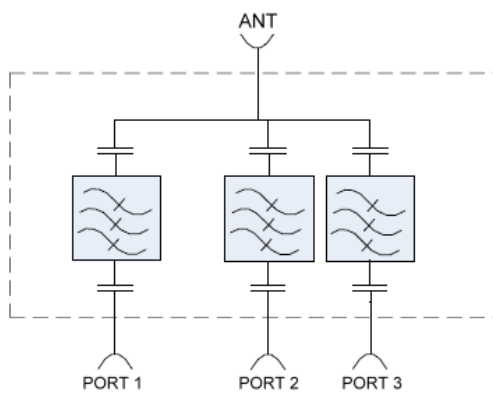


FEATURES:

- Splits or combines the **600 (B71), 700+FN Bands** (617MHz-798MHz), **850 Band** (815MHz-896MHz) and **PCS, AWS-1, AWS-3 Bands** (1695MHz-2200MHz)
- Excellent Isolation between the bands
- Very low Insertion Loss with superior out of band rejections
- Available in 4.3-10 Connectors standard. Other options available
- Low-PIM with High Power Handling
- Ease of Mounting with mounting holes and brackets
- *RoHS* Complaint
- Weatherproof for Outdoor use
- In Stock and Available Immediately


ELECTRICAL SPECIFICATIONS:

Frequency Bands	600, 700+FN 617MHz - 798MHz	850 815MHz - 896MHz	PCS, AWS-1, AWS-3 1695MHz - 2200MHz
Passband Insertion Loss	0.25 dB (Typ)		
Isolation	≥ 40 dB		
Return Loss	21 dB (Typ)		
Impedance	50 Ohms		
Input Power	100 Watts (Avg); 500 Watts (Peak)		
Intermodulation (PIM - 3 rd)	-161dBc (Min) (2 Tones +43 dBm)		
Lightning Protection	8/20S 10kA Pulse (IEC801-5)		
MTBF Hours	≥ 500,000		

MECHANICAL SPECIFICATIONS:

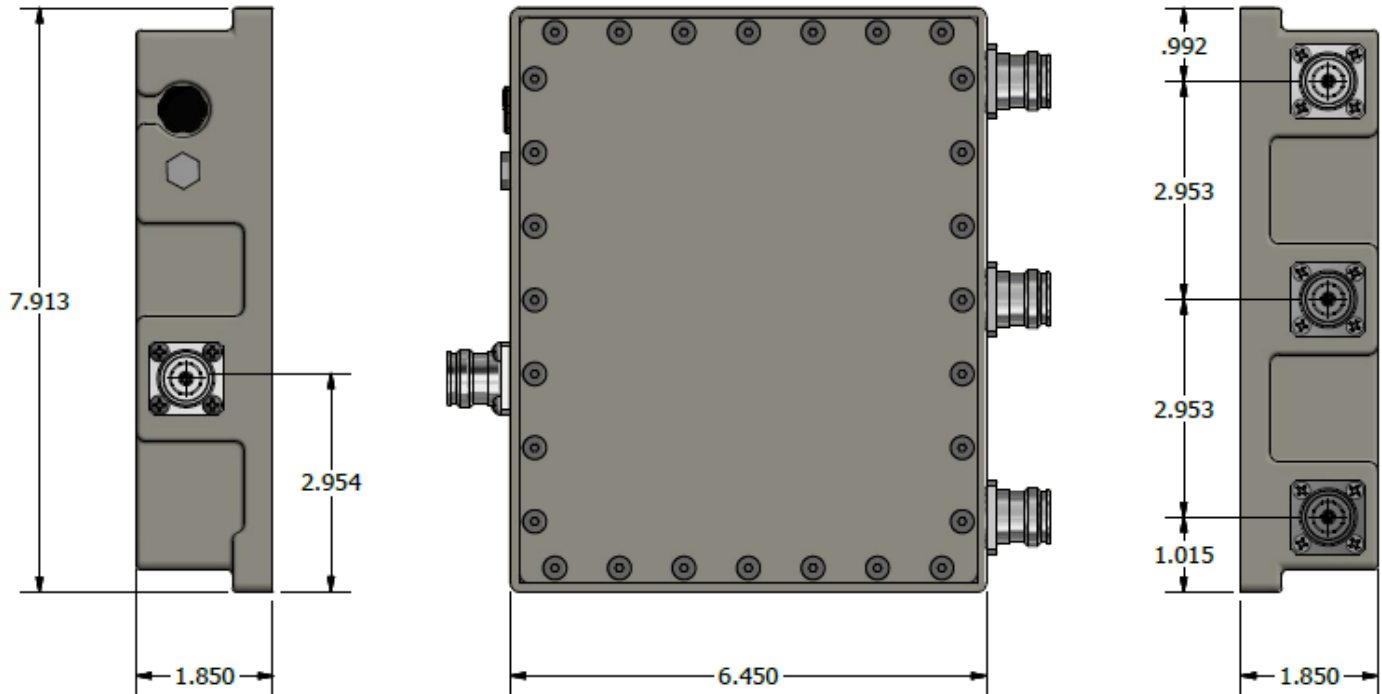
Connectors:	4.3-10 (D43) / DIN (D) / Mini-DIN (MD) / Nex10 (X10)
Housing Finish:	Aluminum Body
Mounting Method:	Mounting Bracket
Weight:	2.00 lbs (Single)
Temperature Range:	-30°C to 60°C
Humidity:	5% - 95%
Environment:	IP67

***** ORDERING INFO:**
Single Model: Part#: 931C-800-2100-*

Dual Model: Part#: 932C-800-2100-*

* - Connector Option

Dimensions for 931C-800-2100-D43



Please contact our sales department at 737-200-7090 or sales@InnowaveRF.com for any custom requirements.
 © Innowave RF, LLC. All Rights Reserved. Specs can change without notice. Drawings are for reference purpose only.