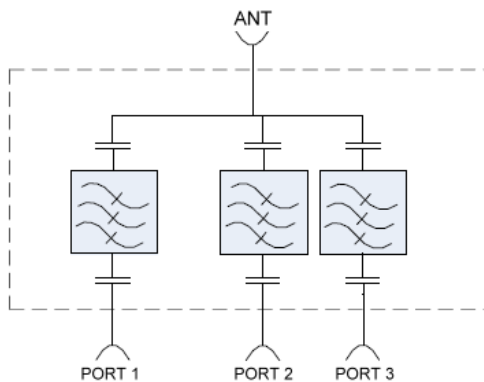


FEATURES:

- Splits or combines the **700 Band (B12, B29) + FirstNet Band (B14)** and **850 Band**
- **Compact Design** with **Single / Dual Stacked** combiner models available for tight space applications
- Available in **Dual Model (932C Series)**
- Excellent Isolation between the bands
- Very low Insertion Loss with superior out of band rejections
- Available in DIN, Mini-DIN, 4.3-10 or Type-N Connectors
- Low-PIM with High Power Handling
- **RoHS** Complaint
- In Stock and Available Immediately


ELECTRICAL SPECIFICATIONS:

Frequency Bands	700 a & 700 d 698MHz - 746MHz	700 FirstNet 758MHz - 768MHz 788MHz - 798MHz	850 MHz 814MHz - 896MHz
Passband Insertion Loss	0.25 dB		
Isolation	≥ 40 dB		
Return Loss	21 dB		
Impedance	50 Ohms		
Input Power	40 Watts (Avg); 200 Watts (Peak)		
Intermodulation (PIM - 3 rd)	-161dBc (2 Tones +43 dBm)		
Lightning Protection	8/20S 10kA Pulse (IEC801-5)		
MTBF Hours	≥ 500,000		

MECHANICAL SPECIFICATIONS:

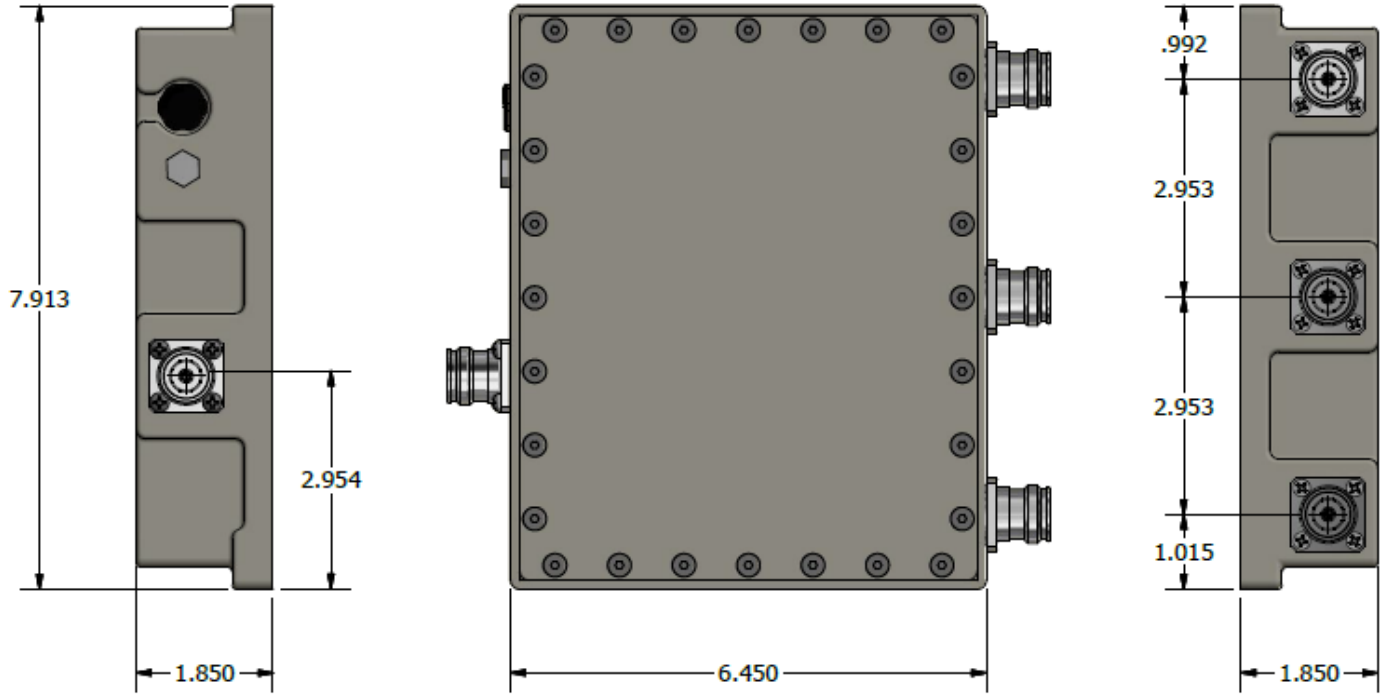
Connectors:	Type-N (N) / DIN (D) / Mini-DIN (MD) / 4.3-10 (D43)
Housing Finish:	Aluminum Body
Mounting Method:	Mounting Holes
Temperature Range:	-30°C to 60°C
Humidity:	5% - 95%
Weight:	2.25 lbs
Environment:	IP67

***** ORDERING INFO:**
Single Model: Part#: 931C-742-852-*

Dual Model: Part#: 932C-742-852-*

* - Connector Option

Dimensions for 931C-742-852-D43



DUAL STACKED UNITS AVAILABLE (932C SERIES)

Please contact our sales department at 737-200-7090 or sales@InnowaveRF.com for any custom requirements.
© Innowave RF, LLC. All Rights Reserved. Specs can change without notice. Drawings are for reference purpose only.