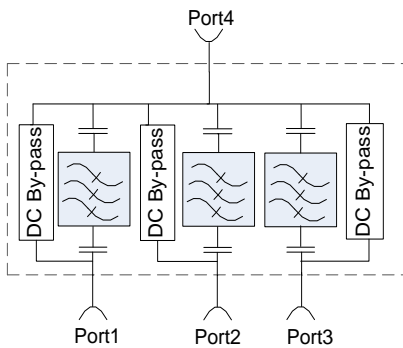


FEATURES:

- Splits or combines the **PCS Bands** (1850MHz-2000MHz), **AWS-1, AWS-3 Bands** (1695MHz-1780MHz & 2110MHz-2180MHz) and **CBRS, C-Band** (3500MHz-4000MHz)
- Available in **SINGLE (931C) & DUAL (932C)** models
- Excellent Isolation between the bands
- Very low Insertion Loss with superior out of band rejections
- Available in DIN, Mini-DIN, 4.3-10 or Nex10 Connectors
- Low-PIM with High Power Handling
- Ease of Mounting with mounting holes and brackets
- *RoHS* Complaint
- Weatherproof for Outdoor use


ELECTRICAL SPECIFICATIONS:

Frequency Bands	Port 1 (1900)	Port 2 (2100)	Port 3 (CBRS, C-Band)
	1850-2000 MHz	1695-1780 & 2110-2180 MHz	3500-4000 MHz
Passband Insertion Loss	0.30 dB		
Isolation	≥ 40dB @ 1695-1780 MHz ≥ 40dB @ 2110-2690 MHz	≥ 40dB @ 1850-2000 MHz ≥ 40dB @ 3500-4000 MHz	≥ 40dB @ 1695-2180 MHz
Return Loss	20 dB		
Impedance	50 Ohms		
Input Power	250 Watts (Avg); 500 Watts (Peak)		
Intermodulation (PIM - 3 rd)	-161dBc (2 Tones +43 dBm)		
DC Pass Current	3000mA (Typ)		
Lightning Protection	8/20S 10kA Pulse (IEC 801-5)		
MTBF Hours	≥ 500,000		

MECHANICAL SPECIFICATIONS:

Connectors:	DIN (D) / Mini-DIN (MD) / 4.3-10 (D43) / Nex10(X10)
Housing Finish:	Aluminum Body
Mounting Method:	Mounting Holes
Weight:	2.0 lbs (Single) / 4.0 lbs (Dual)
Temperature Range:	-30°C to 60°C
Humidity:	5% – 95%
Environment:	IP67

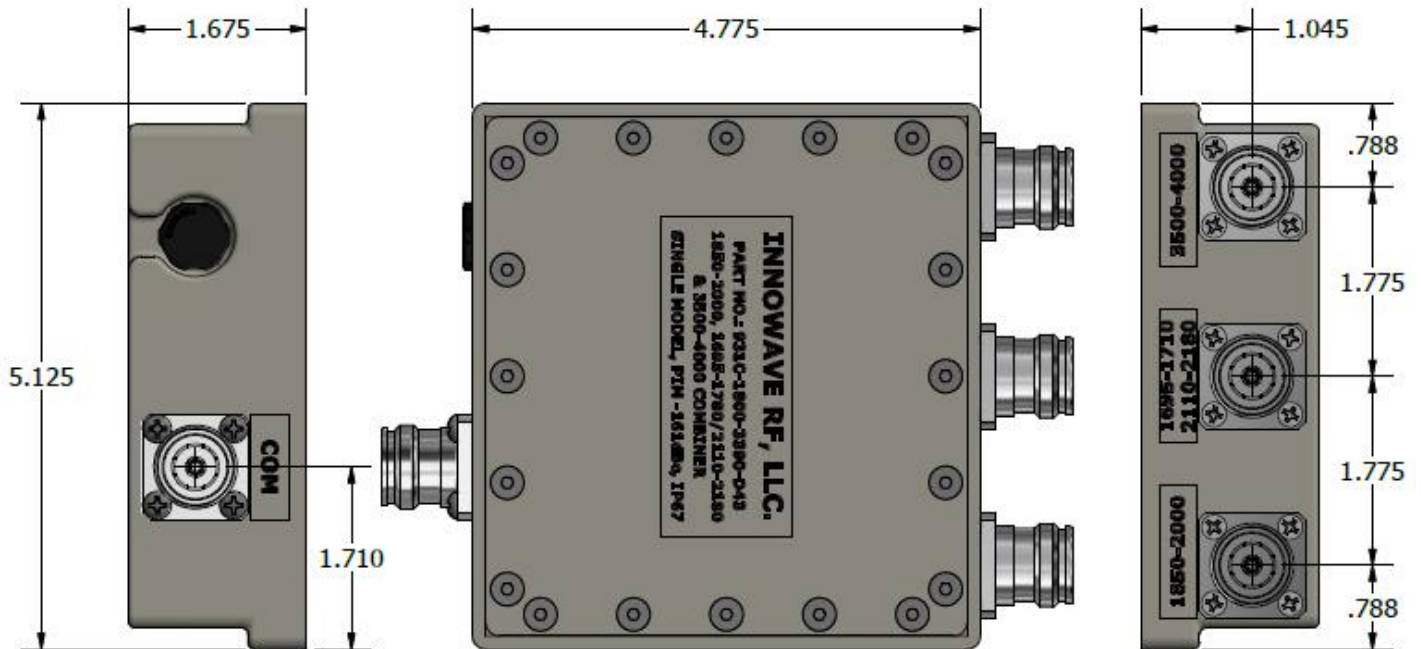
***** ORDERING INFO:**

Single Model: Part#: 931C-1800-3390-*

Dual Model: Part#: 932C-1800-3390-*

* - Connector Option

Dimensions for 931C-1800-3390-D43



Please contact our sales department at 737-200-7090 or sales@InnowaveRF.com for any custom requirements.
 © Innowave RF, LLC. All Rights Reserved. Specs can change without notice. Drawings are for reference purpose only.