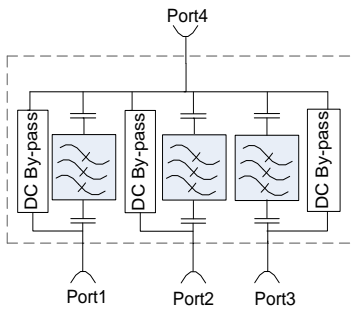


**FEATURES:**

- Splits or combines the **600 (B71), 700, 850, PCS, AWS-1&3, WCS Bands** (617MHz-2360MHz) and **BRS Band** (2496MHz-2690MHz), **CBRS, C-Band** (3300MHz-4200MHz)
- Available in **Dual / Stacked Model (932C Series)**
- Minimum 40dB Isolation between the bands
- Very low Insertion Loss with superior out of band rejections
- Available in 4.3-10 or NEX10 Connectors
- Ease of Mounting with mounting holes and brackets
- Low-PIM with High Power Handling
- RoHS Compliant
- Weatherproof for Outdoor installation
- In Stock and Available Immediately


**ELECTRICAL SPECIFICATIONS:**

Frequency Bands	<b>600, 700, 850, PCS, AWS, WCS</b> 617MHz - 2360MHz	<b>BRS</b> 2496MHz - 2690MHz	<b>CBRS, C-Band</b> 3300MHz - 4200MHz
Passband Insertion Loss	0.25 dB (Typ)		
Isolation	≥ 40 dB (Typ)		
Return Loss	21 dB (Typ)		
Impedance	50 Ohms		
Input Power / Port	150 Watts (Avg)		
Intermodulation (PIM - 3 <sup>rd</sup> )	-161dBc (Min) (2 Tones +43 dBm)		
DC Pass Current	4000 mA (Typ) (DC Block Available on Request)		
Lightning Protection	8/20S 10kA Pulse (IEC801-5)		
MTBF Hours	≥ 500,000		

**MECHANICAL SPECIFICATIONS:**

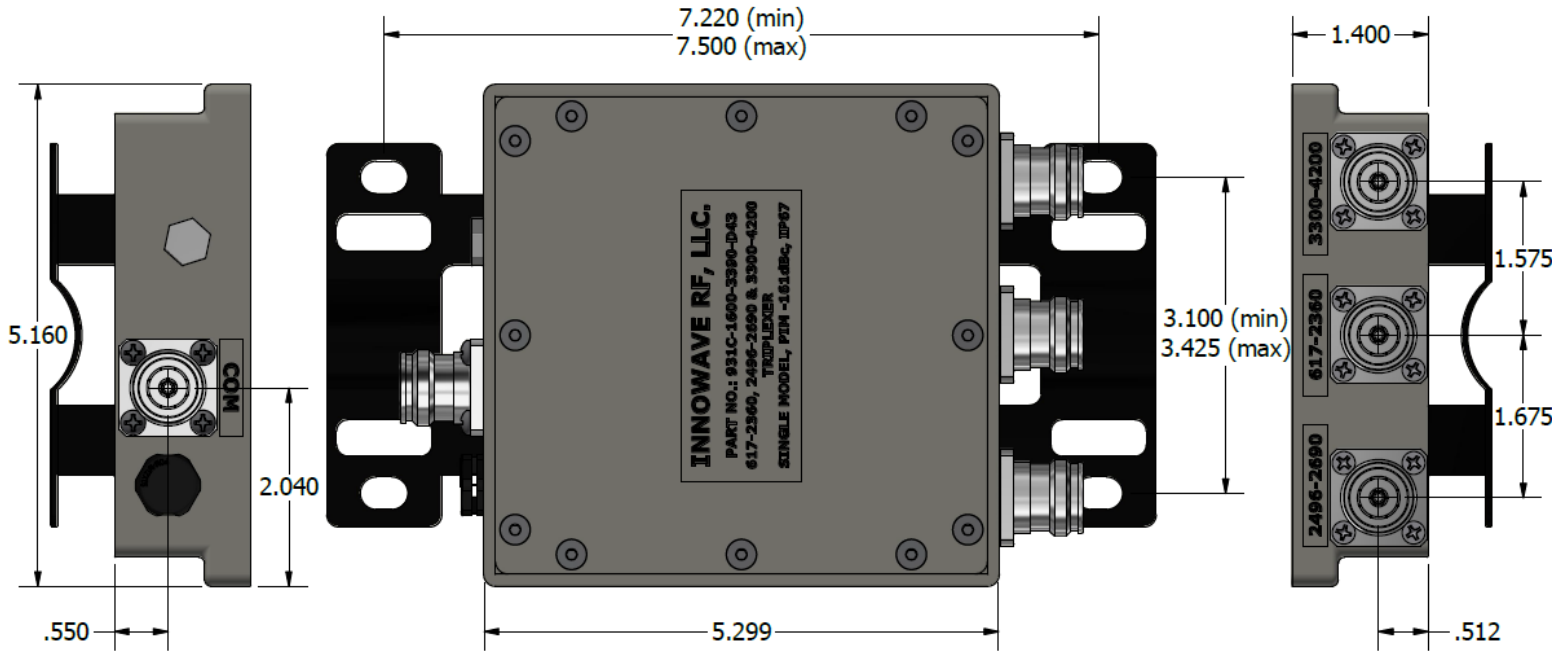
Connectors:	4.3-10 (D43) / NEX10 (X10)
Housing Finish:	Aluminum Body
Mounting Method:	Mounting Bracket
Temperature Range:	-30°C to 75°C
Humidity:	5% – 95%
Weight:	4.00 lbs
Environment:	IP67

**ORDERING INFO:**
**Single Model:**

4.3-10 Connector:	Part#: 931C-1600-3390-D43
NEX10 Connector:	Part#: 931C-1600-3390-X10

**STACKED MODEL AVAILABLE**

**Dimensions for 931C-1600-3390-D43**



**DUAL/STACKED UNITS AVAILABLE (932C SERIES)**

Please contact our sales department at 737-200-7090 or [sales@InnowaveRF.com](mailto:sales@InnowaveRF.com) for any custom requirements.  
 © Innowave RF, LLC. All Rights Reserved. Specs can change without notice. Drawings are for reference purpose only.