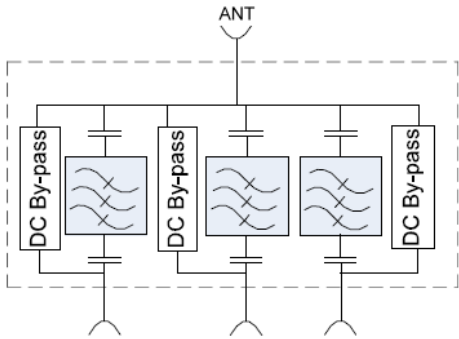


FEATURES:

- Splits or combines the **600, 700, 850 Bands** (617MHz-896MHz), **PCS, AWS-1, AWS-3, WCS, BRS Bands** (1695MHz-2690MHz) and **CBRS, C-Band** (3300MHz-4200MHz)
- Excellent Isolation between the bands
- Very low Insertion Loss with superior out of band rejections
- Available in 4.3-10 Connectors standard. Other options available
- **Dual/Stacked (932C Model) also available**
- Low-PIM with High Power Handling
- Ease of Mounting with mounting holes and brackets
- *RoHS* Complaint
- Weatherproof for Outdoor use
- In Stock and Available Immediately



ELECTRICAL SPECIFICATIONS:

Frequency Bands	600, 700, 850 617MHz - 896MHz	PCS, AWS,WCS,BRS 1695MHz - 2690MHz	CBRS, C-Band 3300MHz - 4200MHz
Passband Insertion Loss	0.25 dB (Typ)		
Isolation	≥ 40 dB		
Return Loss	21 dB (Typ)		
Impedance	50 Ohms		
Input Power	100 Watts (Avg); 500 Watts (Peak)		
Intermodulation (PIM - 3 rd)	-161dBc (Min) (2 Tones +43 dBm)		
Lightning Protection	8/20S 10kA Pulse (IEC801-5)		
MTBF Hours	≥ 500,000		

MECHANICAL SPECIFICATIONS:

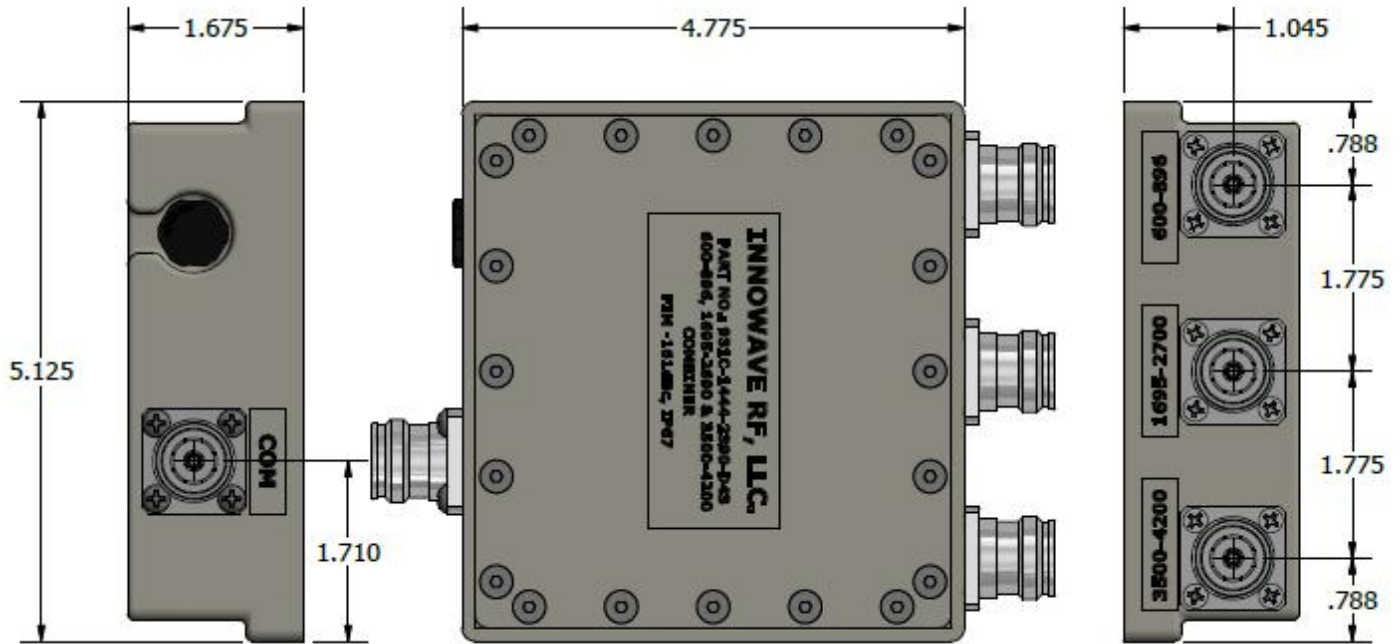
- Connectors: 4.3-10 (D43) / DIN (D) / Nex10 (X10)
- Housing Finish: Aluminum Body
- Mounting Method: Mounting Bracket
- Weight: 2.00 lbs (Single)
- Temperature Range: -30°C to 60°C
- Humidity: 5% – 95%
- Environment: IP67

***** ORDERING INFO:**

- Single Model:** Part#: 931C-1444-3390-*
- Dual Model:** Part#: 932C-1444-3390-*

* - Connector Option

Dimensions for 931C-1444-3390-D43



Please contact our sales department at 737-200-7090 or sales@InnowaveRF.com for any custom requirements.
 © Innowave RF, LLC. All Rights Reserved. Specs can change without notice. Drawings are for reference purpose only.