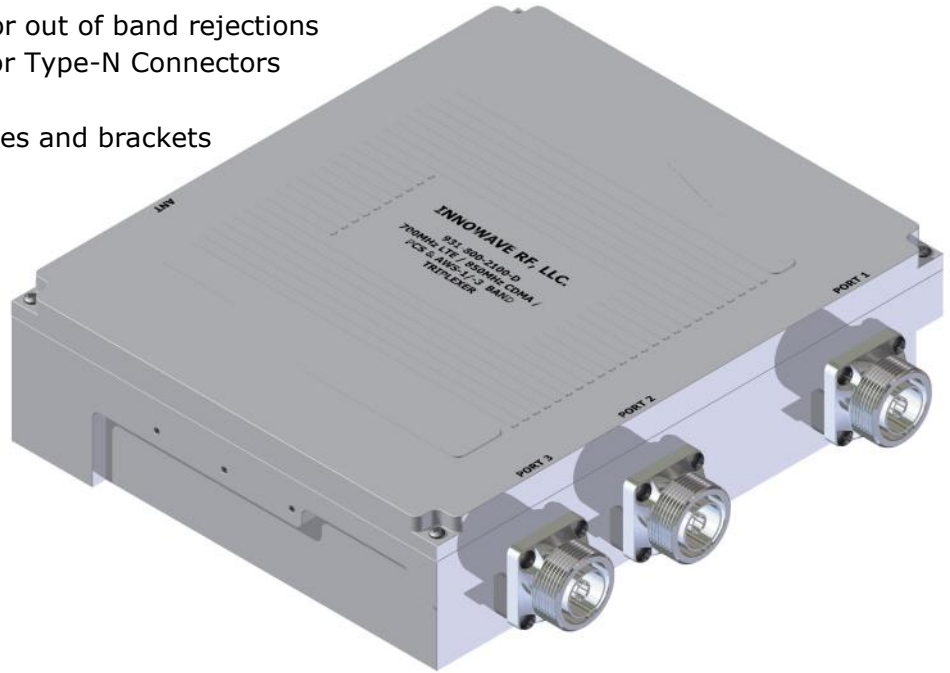
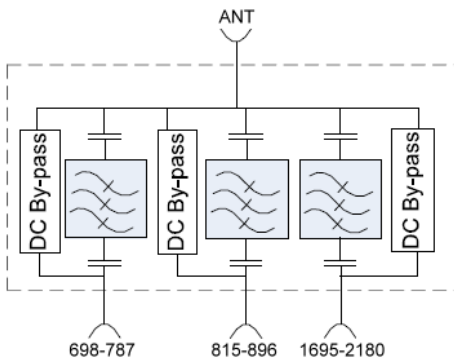


**FEATURES:**

- Splits or combines the **700MHz LTE Band** (698MHz-787MHz), **CDMA/GSM Band** (815MHz-896MHz) and **PCS/AWS-1/AWS-3 Bands** (1695MHz-2180MHz)
- Excellent Isolation between the bands
- Very low Insertion Loss with superior out of band rejections
- Available in DIN, Mini-DIN, 4.3-10 or Type-N Connectors
- Low-PIM with High Power Handling
- Ease of Mounting with mounting holes and brackets
- RoHS Complaint
- Weatherproof for Outdoor use
- In Stock and Available Immediately



**ELECTRICAL SPECIFICATIONS:**

Frequency Bands	700 MHz LTE 698MHz - 787MHz	CDMA/GSM 815MHz - 896MHz	PCS/AWS-1/AWS-3 1695MHz - 2180MHz
Passband Insertion Loss	0.25 dB		
Isolation	≥ 65 dB		
Return Loss	21 dB		
Impedance	50 Ohms		
Input Power	400 Watts (Avg); 3000 Watts (Peak)		
Intermodulation (PIM - 3 <sup>rd</sup> )	-161 dBc (2 Tones +43 dBm)		
DC Pass Current	3000mA (Typ)		
Lightning Protection	8/20S 10kA Pulse (IEC801-5)		
MTBF Hours	≥ 500,000		

**MECHANICAL SPECIFICATIONS:**

Connectors:	Type-N (N) / DIN (D) / Mini-DIN (MD) / 4.3-10 (D43)
Housing Finish:	Aluminum Body
Mounting Method:	Mounting Holes
Temperature Range:	-30°C to 60°C
Humidity:	5% – 95%
Environment:	IP67

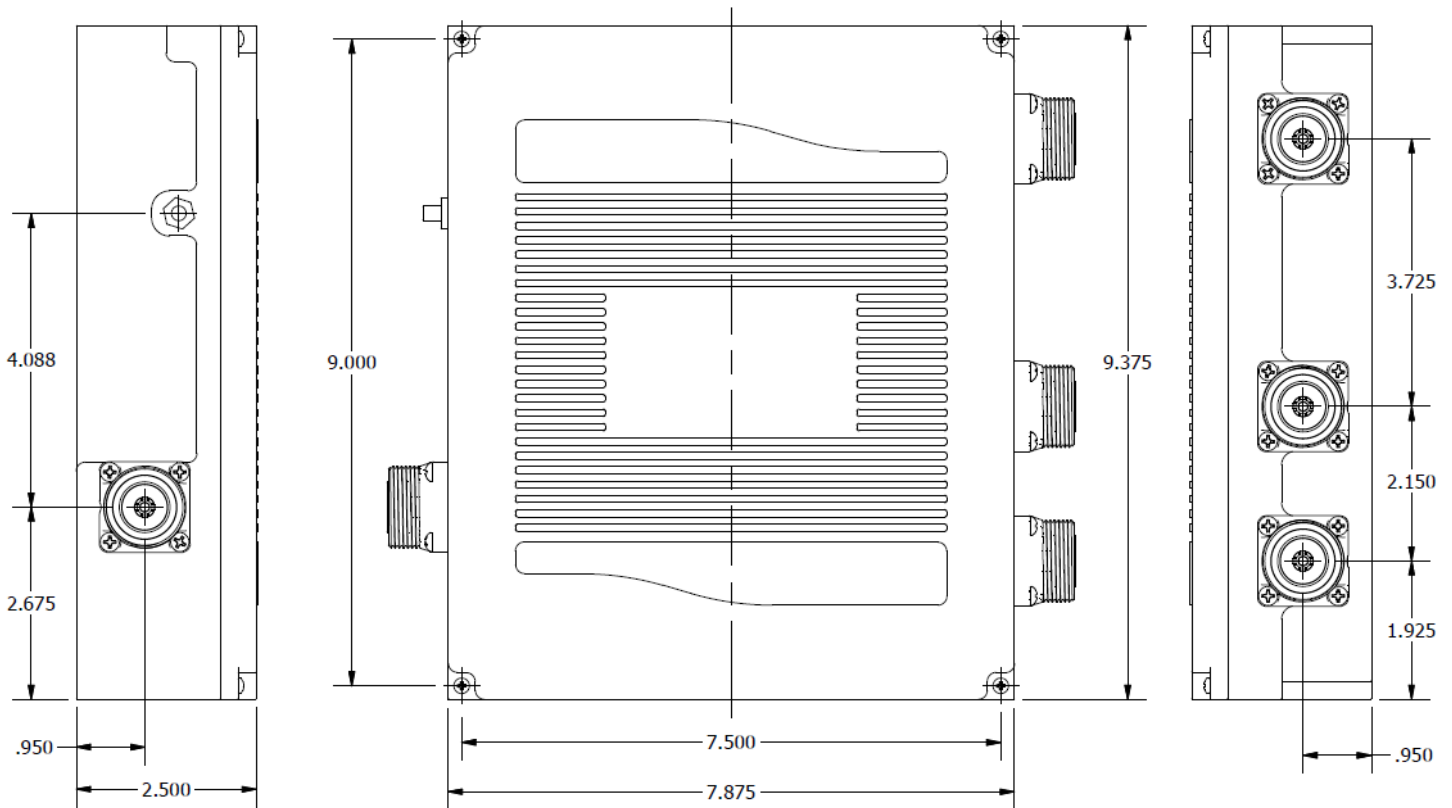
**\*\*\* ORDERING INFO:**

**Single Model:** Part#: 931-800-2100-\*

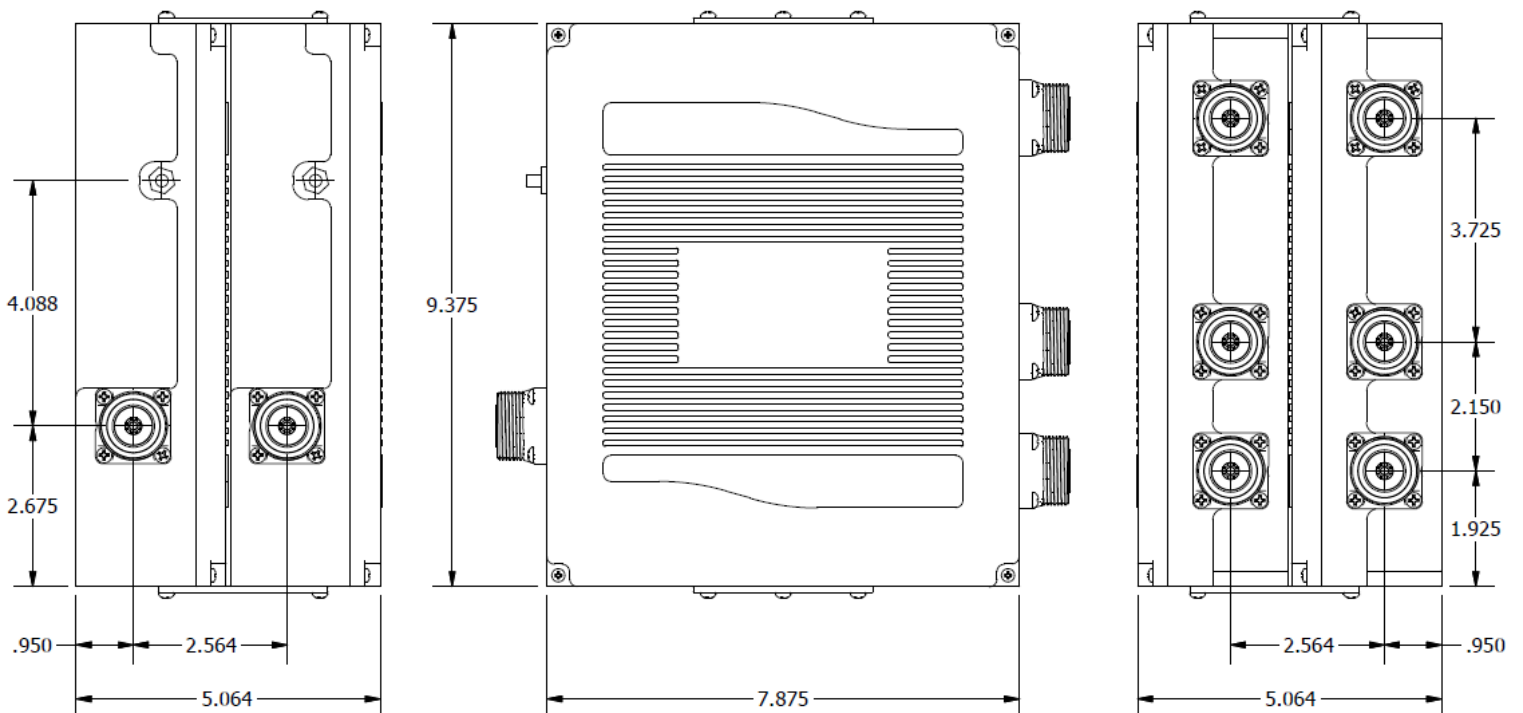
**Dual Model:** Part#: 932-800-2100-\*

\* - Connector Option

**Dimensions for 931-800-2100-D**



**Dimensions for 932-800-2100-D**



Please contact our sales department at 737-200-7090 or [sales@InnowaveRF.com](mailto:sales@InnowaveRF.com) for any custom requirements.  
 © Innowave RF, LLC. All Rights Reserved. Specs can change without notice. Drawings are for reference purpose only.