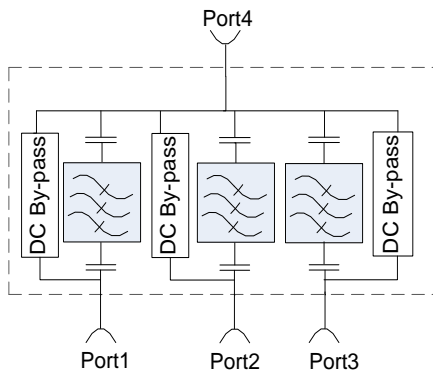


FEATURES:

- Splits or combines the **600 (Band71), 700MHz LTE, CDMA, PCS, AWS-1 & AWS-3 Bands** (555MHz-2180MHz) and **WCS Band** (2300MHz-2360MHz), **BRS, 2600MHz LTE Bands** (2500MHz-2690MHz)
- Excellent Isolation between the bands
- Very low Insertion Loss with superior out of band rejections
- Available in DIN, Mini-DIN, 4.3-10 or Type-N Connectors
- Low-PIM with High Power Handling
- Ease of Mounting with mounting holes and brackets
- RoHS Complaint
- Weatherproof for Outdoor use
- In Stock and Available Immediately



ELECTRICAL SPECIFICATIONS:

Frequency Bands	600, 700, 850, PCS, AWS-1&3 555MHz - 2180MHz	WCS 2300MHz - 2360MHz	BRS/2600MHz LTE 2500MHz - 2690MHz
Passband Insertion Loss	0.25 dB (Typ)		
Isolation	≥ 65 dB (Typ)		
Return Loss	21 dB (Typ)		
Impedance	50 Ohms		
Input Power	400 Watts (Avg); 3000 Watts (Peak)		
Intermodulation (PIM - 3 rd)	-161dBc (Min) (2 Tones +43 dBm)		
DC Pass Current	3000mA (Typ); 5000mA (Max)		
Lightning Protection	8/20S 10kA Pulse (IEC801-5)		
MTBF Hours	≥ 500,000		

MECHANICAL SPECIFICATIONS:

Connectors:	Type-N (N) / DIN (D) / Mini-DIN (MD) / 4.3-10 (D43)
Housing Finish:	Aluminum Body
Mounting Method:	Mounting Holes
Weight:	3.00 lbs
Temperature Range:	-30°C to 60°C
Humidity:	5% – 95%
Environment:	IP67

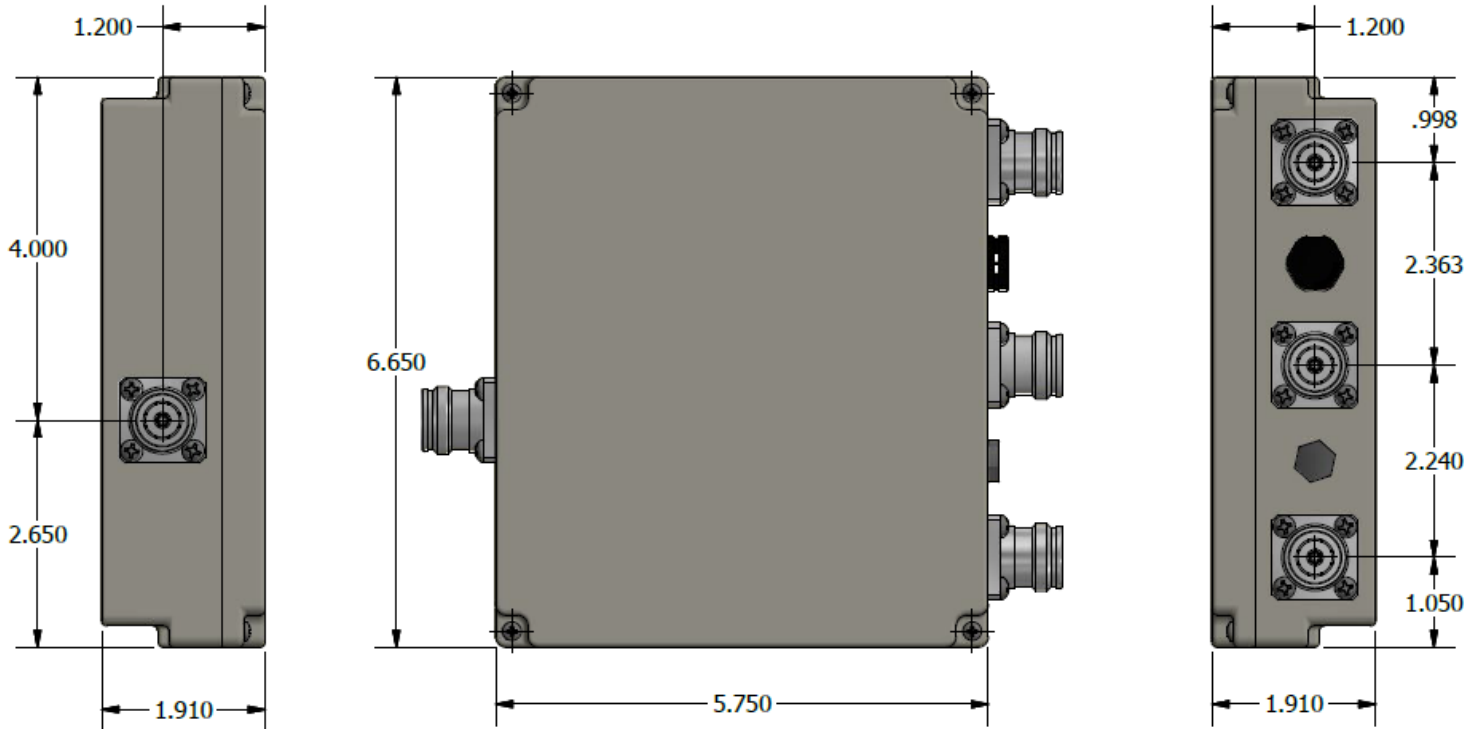
***** ORDERING INFO:**

Single Model: Part#: 931-1600-2390-*

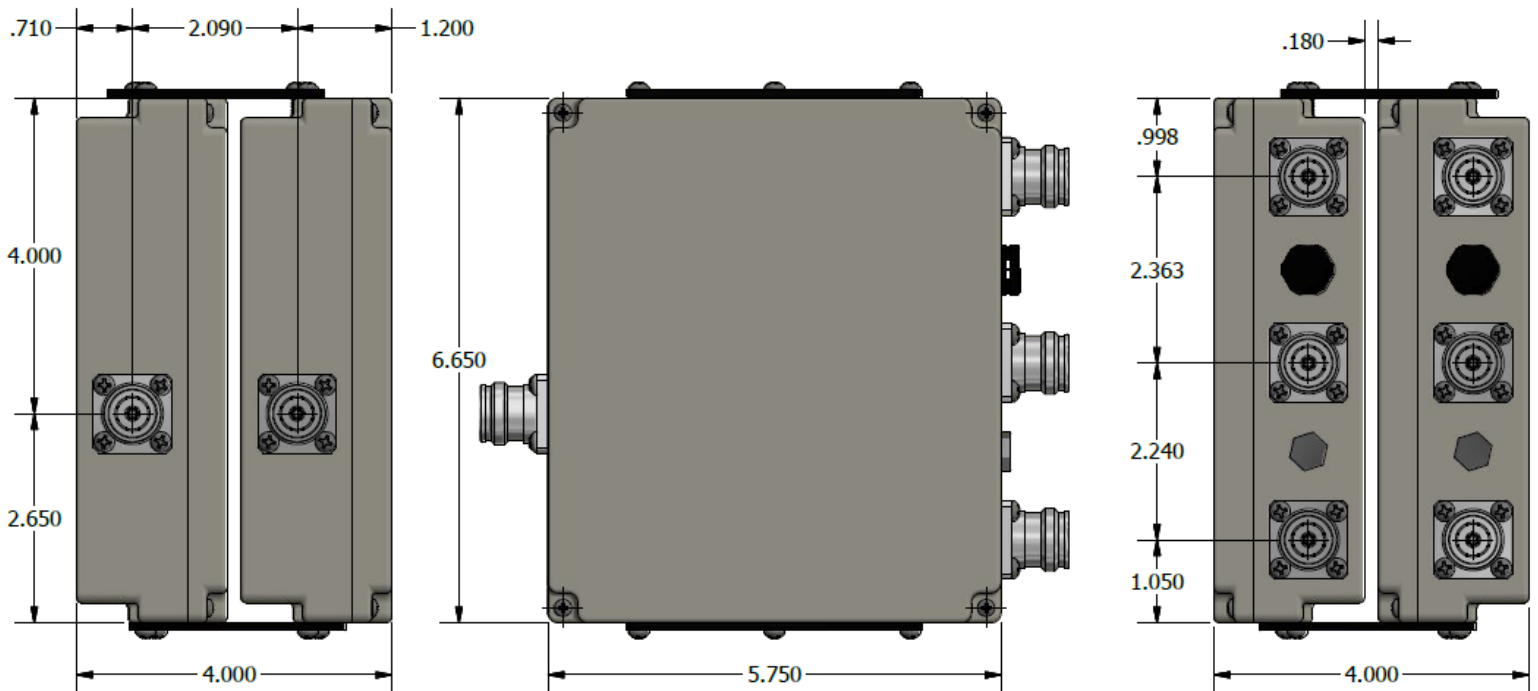
Dual Model: Part#: 932-1600-2390-*

* - Connector Option

Dimensions for 931-1600-2390-D43



Dimensions for 932-1600-2390-D43



Please contact our sales department at 737-200-7090 or sales@InnowaveRF.com for any custom requirements.
 © Innowave RF, LLC. All Rights Reserved. Specs can change without notice. Drawings are for reference purpose only.