

ASSM-112B-2-D43 is a Stacked version of Low-PIM 2-Way In-Line Reactive Power Splitter for 2x2 MIMO Applications. They are designed to evenly split high power signals between 600MHz and 6000MHz. This Compact, Small Form Factor design can be used without any bulky inter-connections or undue cable stress. They are rated to be used in extreme weather and environmental conditions and are perfect for Pole-Mount applications where the signals need to be split just before the Antennas. Other stacked options are also available on request with different mounting configurations.

FEATURES:

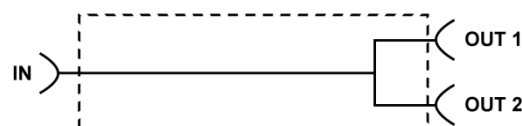
- 2x Stacked for 2x2 MIMO Applications
- Compact, Small Form Factor design
- Wide bandwidth 600 MHz – 6000 MHz
- Easy Pole-Mounting Options just before the Antenna
- **LTE-LAA, CBRS and C-Band** Ready
- **In-Line** Reactive Splitter
- Superior and rugged construction
- Low Insertion Loss and low VSWR
- Low PIM, -163dBc
- *RoHS* Compliant
- Weatherproof / Outdoor unit
- In Stock to low lead time delivery

SPECIFICATIONS:

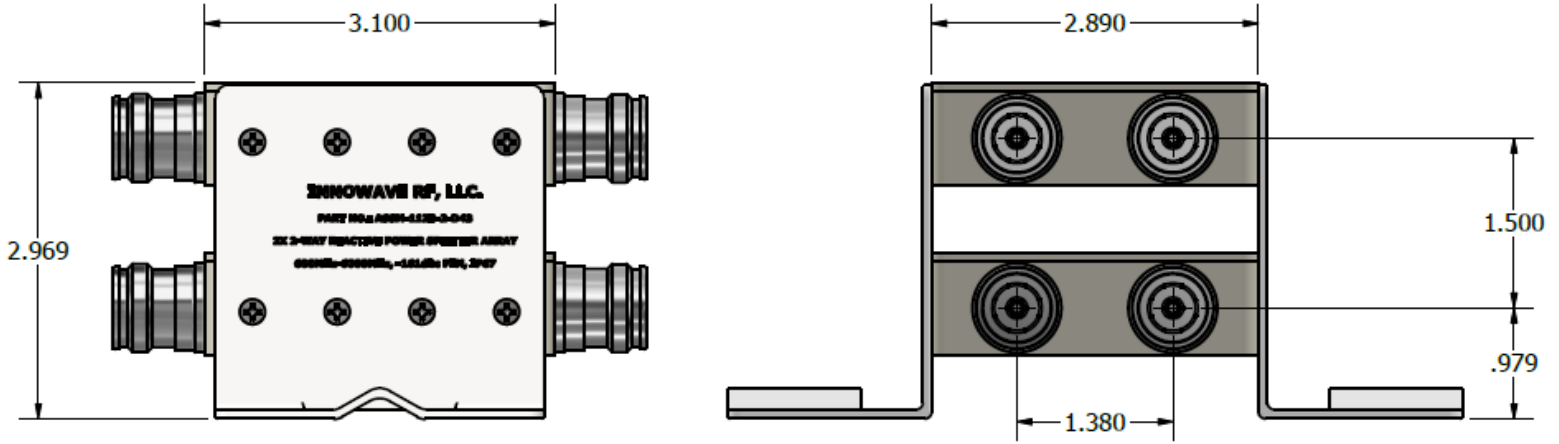
Frequency Range:	600 MHz – 6000 MHz
Passband Insertion Loss:	0.25 dB @ 600-2700 MHz 0.35 dB @ 2700-4200 MHz 0.50 dB @ 4200-6000 MHz (Over the theoretical loss of 3 dB)
VSWR:	≤ 1.25 @ 600-2700 MHz ≤ 1.30 @ 2700-4200 MHz ≤ 1.30 @ 4200-6000 MHz
Power Handling:	300 W (Avg)
Impedance:	50Ω
PIM – 3 rd :	-163 dBc (2 Tones +43 dBm)
Temperature Range:	-30°C to 75°C
Weight:	3.25 lbs
Housing Finish:	Aluminum Body
Mounting Method:	Mounting Holes
Humidity:	5% - 95%
Environment:	IP67



Block Diagram for each Reactive Splitter



Dimensions for ASSM-112B-2-D43



Please contact our sales department at 737-200-7090 or sales@InnowaveRF.com for any custom requirements.

© Innowave RF, LLC. All Rights Reserved. Specs can change without notice. Drawings are for reference purpose only.