

Innovation in Every Wave

113B-600-4000 is a Low-PIM 3-Way In-Line Reactive Power Splitter, designed to evenly split high power signals between 600MHz and 4200MHz. These splitters cover all the traditional Cellular frequencies, including the CBRS and C-Bands. This unique In-Line structure is Compact and can be used without any bulky inter-connections or undue cable stress. They are rated to be used in extreme weather and environmental conditions. It also has a very low Insertion Loss with an outstanding VSWR at all four ports. Available with different connector options.

FEATURES:

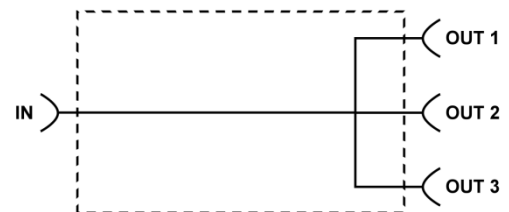
- Wide bandwidth 600 MHz – 4200 MHz
- **CBRS and C-Band** Ready
- **In-Line** Reactive Splitter
- Superior Construction and High Power Handling
- Low Insertion Loss and low VSWR
- Low PIM, -163dBc
- *RoHS* Complaint
- Weatherproof / Outdoor unit
- In Stock to low lead time delivery
- Available in 4.3-10 or NEX10 connectors



SPECIFICATIONS:

Frequency Range:	600 MHz – 4200 MHz
Passband Insertion Loss:	0.20 dB @ 600-2700 MHz 0.45 dB @ 2700-4200 MHz (Over the theoretical loss of 4.8 dB)
VSWR:	≤ 1.25 @ 600-2700 MHz ≤ 1.30 @ 2700-4200 MHz
Power Handling:	300 W (Avg)
Impedance:	50Ω
PIM – 3 rd :	-163 dBc (2 Tones +43 dBm)
Temperature Range:	-30°C to 75°C
Weight:	1.00 lb
Housing Finish:	Aluminum Body
Mounting Method:	Mounting Holes
Humidity:	5% - 95%
Environment:	IP67

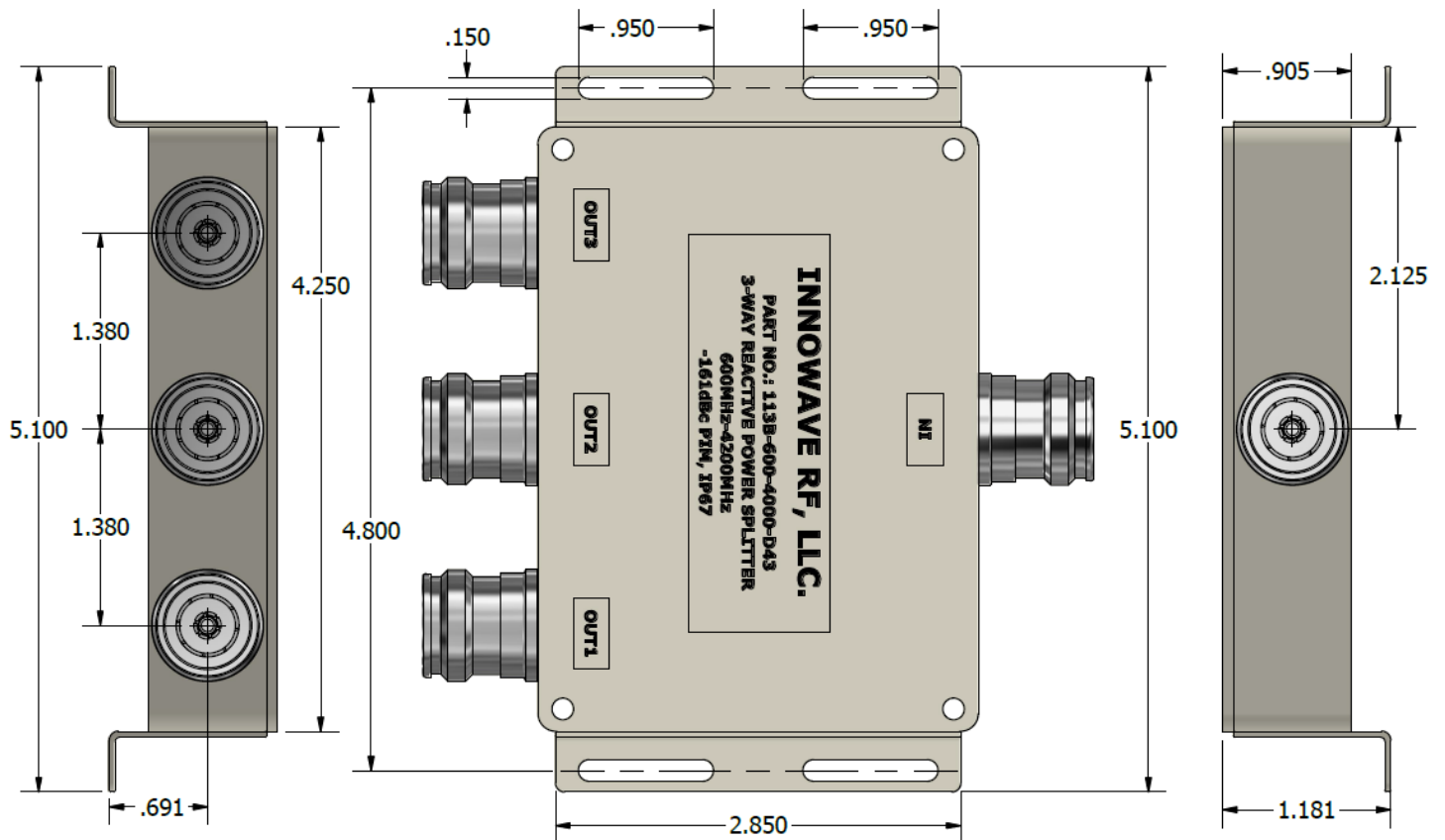
Block Diagram for 113B-600-4000



ORDERING INFO:

- 113B-600-4000-D43 --- 4.3-10 Connector
- 113B-600-4000-X10 --- NEX10 Connector

Dimensions for 113B-600-4000-D43



Please contact our sales department at 737-200-7090 or sales@InnowaveRF.com for any custom requirements.

© Innowave RF, LLC. All Rights Reserved. Specs can change without notice. Drawings are for reference purpose only.