

**112BX-600-6000** is a Low-PIM 2-Way In-Line Reactive Power Splitter with Adjustable Connector Lengths on the splitting side. This is designed to evenly split high power signals between 600MHz and 6000MHz. These splitters cover all the traditional Cellular frequencies, including the CBRS, C-Bands and LTE-LAA. This unique In-Line structure is Compact and can be used without any bulky inter-connections or undue cable stress. The connector lengths can be **adjusted from 1.61" (41mm) to 1.77" (45mm)**. These are a perfect to be used in conjunction to Commscope e-POI system.

**FEATURES:**

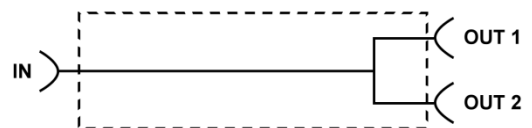
- Wide bandwidth 600 MHz – 6000 MHz
- **CBRS, C-Band and LTE-LAA** Ready
- **Adjustable Connector Lengths** from **1.61" (41mm) to 1.77" (45mm)**
- **Compact In-Line** Reactive Splitter
- Connects perfectly to a Commscope e-POI System
- Superior and rugged construction
- Low Insertion Loss and low VSWR
- Low PIM, -161dBc
- *RoHS* Complaint
- Weatherproof / Outdoor unit
- In Stock to low lead time delivery



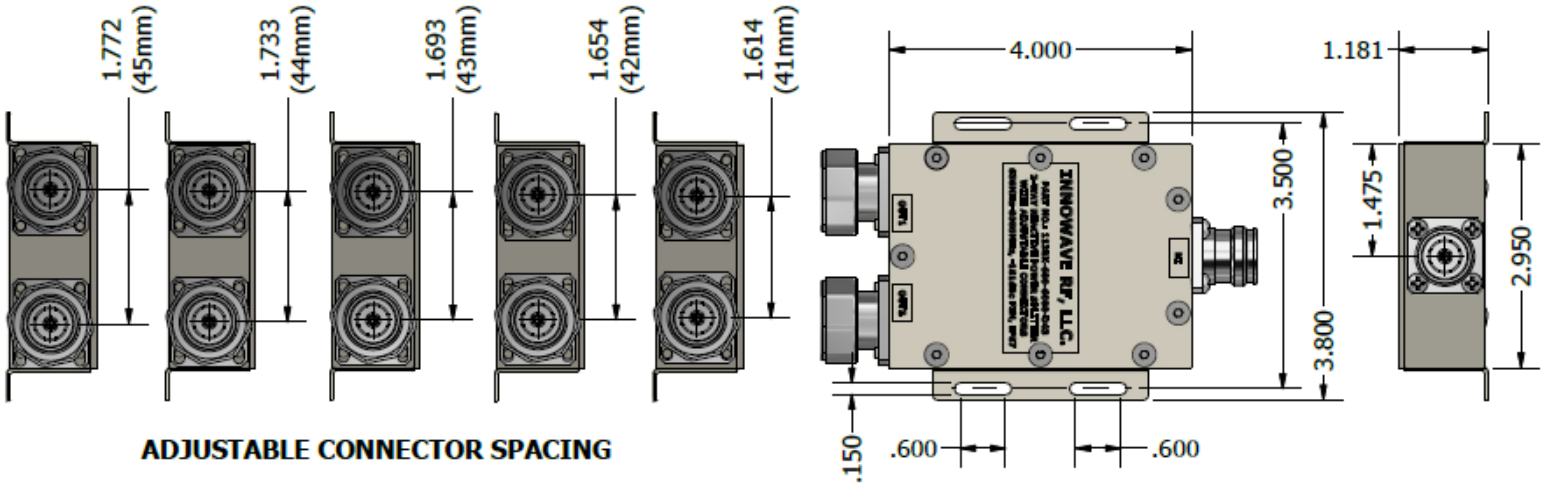
**SPECIFICATIONS:**

Frequency Range:	600 MHz – 6000 MHz
Passband Insertion Loss:	0.30 dB @ 600-2700 MHz 0.40 dB @ 2700-4200 MHz 0.55 dB @ 4200-6000 MHz (Over the theoretical loss of 3 dB)
VSWR:	≤ 1.30 @ 600-2700 MHz ≤ 1.25 @ 2700-4200 MHz ≤ 1.30 @ 4200-6000 MHz
Power Handling:	300 W (Avg)
Impedance:	50Ω
PIM – 3 <sup>rd</sup> :	-161 dBc (2 Tones +43 dBm)
Temperature Range:	-30°C to 75°C
Weight:	1.10 lb
Connectors:	IN – 4.3-10(F) OUT – 4.3-10(M) x2
Connector Adjustment:	1.61" (41mm) to 1.77" (45mm)
Housing Finish:	Aluminum Body
Mounting Method:	Mounting Holes
Humidity:	5% - 95%
Environment:	IP67

**Block Diagram for 112BX-600-6000-D43**



**Dimensions for 112BX-600-6000-D43**



Please contact our sales department at 737-200-7090 or [sales@InnowaveRF.com](mailto:sales@InnowaveRF.com) for any custom requirements.

© Innowave RF, LLC. All Rights Reserved. Specs can change without notice. Drawings are for reference purpose only.