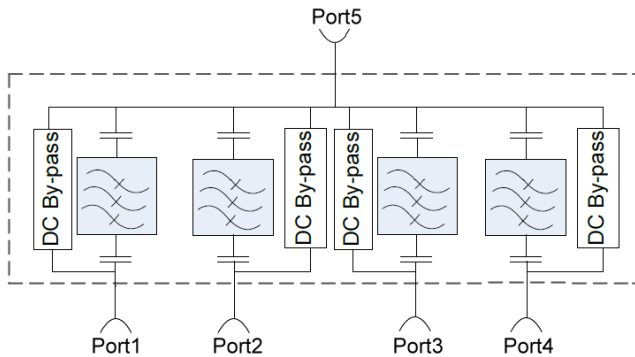


**FEATURES:**

- Splits or combines **600-B71, 700LTE, 850-GSM, 850-CDMA Bands** (600MHz-896MHz), **PCS, AWS-1, AWS-3 Bands** (1695MHz-2280MHz), **WCS, 2600LTE Bands** (2300MHz-2690MHz) and **CBRS Band** (3500-4200)
- Compact Version
- Excellent Isolation between the bands
- Very low Insertion Loss with superior out of band rejections
- Available in DIN, Mini-DIN, 4.3-10 or Nex10 Connectors
- Ease of Mounting with mounting holes and brackets
- Low-PIM with High Power Handling
- RoHS Complaint
- Weatherproof for Outdoor installation


**ELECTRICAL SPECIFICATIONS:**

Frequency Bands	<b>600,700,850</b> 600MHz - 896MHz	<b>PCS,AWS-1,AWS-3</b> 1695MHz - 2200MHz	<b>WCS, BRS</b> 2300MHz - 2690MHz	<b>CBRS</b> 3500MHz - 4200MHz
Passband Insertion Loss	0.30 dB			
Isolation	≥40 dB			
Return Loss	21 dB			
Impedance	50 Ohms			
Input Power	250 Watts (Avg); 2500 Watts (Peak)			
DC Pass Current	4000 mA (Typ)			
Intermodulation (PIM-3 <sup>rd</sup> )	-160dBc (2 Tones +43 dBm)			
Lightning Protection	8/20S 10KA Pulse (IEC801-5)			
MTBF Hours	≥ 500,000			

**MECHANICAL SPECIFICATIONS:**

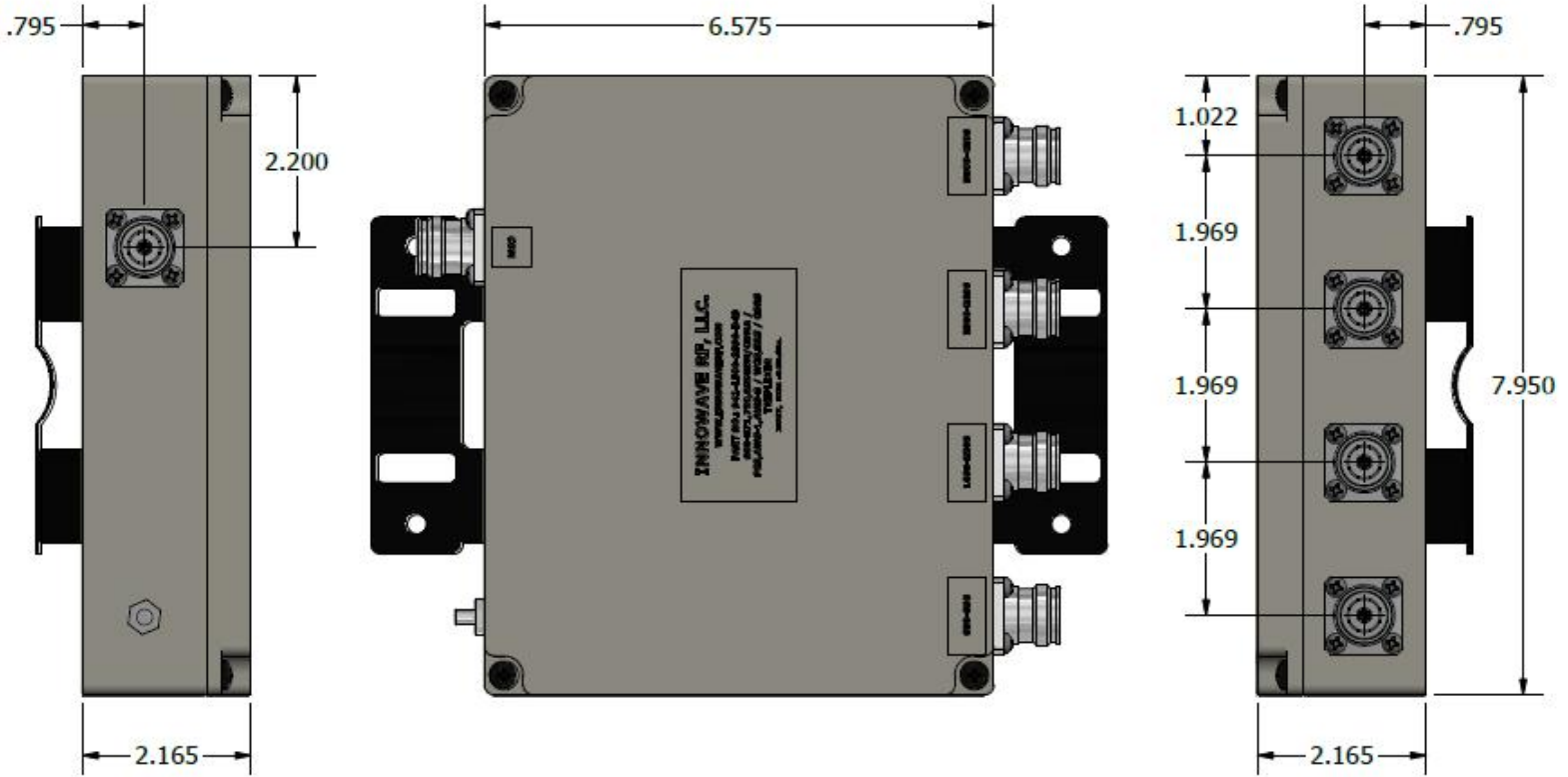
Connectors:	7/16 DIN (D) / Mini-DIN (MD) / 4.3-10 (D43) / Nex10 (X10)
Housing Finish:	Aluminum Body
Mounting Method:	Mounting Panel
Weight:	3.50lbs
Temperature Range:	-35°C to 75°C
Relative Humidity:	5% - 95%
Environment:	IP67

**\*\*\* ORDERING INFO:**
**Single Model:** Part#: 941C-1300-3390-\*

**Dual Model:** Part#: 942C-1300-3390-\*

\* - Connector Option

**Dimensions for 941C-1300-3390-D43**



Please contact our sales department at 737-200-7090 or [sales@InnowaveRF.com](mailto:sales@InnowaveRF.com) for any custom requirements.

© Innowave RF, LLC. All Rights Reserved. Specs can change without notice. Drawings are for reference purpose only.