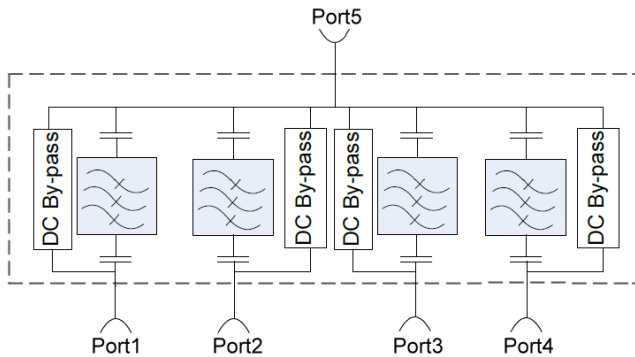
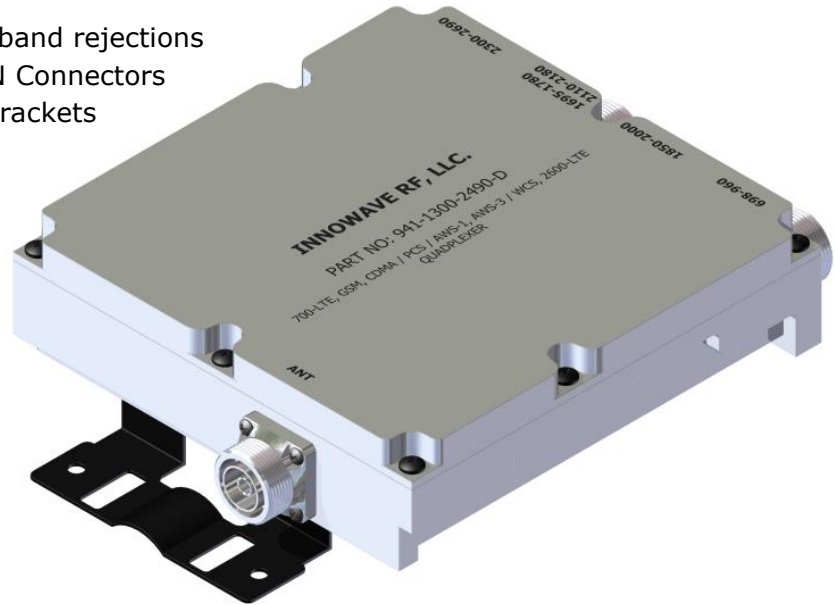


**FEATURES:**

- Splits or combines **600(B71), 700+FirstNet & 850 Bands** (617MHz-896MHz), **PCS Band** (1850MHz-2000MHz), **AWS-1, AWS-3 Bands** (1695MHz-1780MHz & 2110MHz-2200MHz) and **WCS, BRS Bands** (2300MHz-2690MHz)
- Excellent Isolation between the bands
- Very low Insertion Loss with superior out of band rejections
- Available in DIN, Mini-DIN, 4.3-10 or Type-N Connectors
- Ease of Mounting with mounting holes and brackets
- Low-PIM with High Power Handling
- RoHS Complaint
- Weatherproof for Outdoor installation
- In Stock and Available Immediately



**ELECTRICAL SPECIFICATIONS:**

Frequency Bands	<b>600, 700+FN, 850</b> 617MHz - 896MHz	<b>PCS</b> 1850MHz - 2000MHz	<b>AWS-1, AWS-3</b> 1695MHz - 1780MHz 2110MHz - 2200MHz	<b>WCS, BRS</b> 2300MHz - 2690MHz
Passband Insertion Loss	0.25 dB			
Isolation	≥ 60 dB			
Return Loss	21 dB			
Impedance	50 Ohms			
Input Power	400 Watts (Avg); 2000 Watts (Peak)			
DC Pass Current	4000 mA (Typ)			
Intermodulation (PIM-3 <sup>rd</sup> )	-161dBc (2 Tones +43 dBm)			
Lightning Protection	8/20S 10KA Pulse (IEC801-5)			
MTBF Hours	≥ 500,000			

**MECHANICAL SPECIFICATIONS:**

Connectors:	7/16 DIN (D) / Mini-DIN (MD) / 4.3-10 (D43) / Type-N (N)
Housing Finish:	Aluminum Body
Mounting Method:	Mounting Panel
Weight:	4.50 lbs
Temperature Range:	-35°C to 75°C
Relative Humidity:	5% - 95%
Environment:	IP67

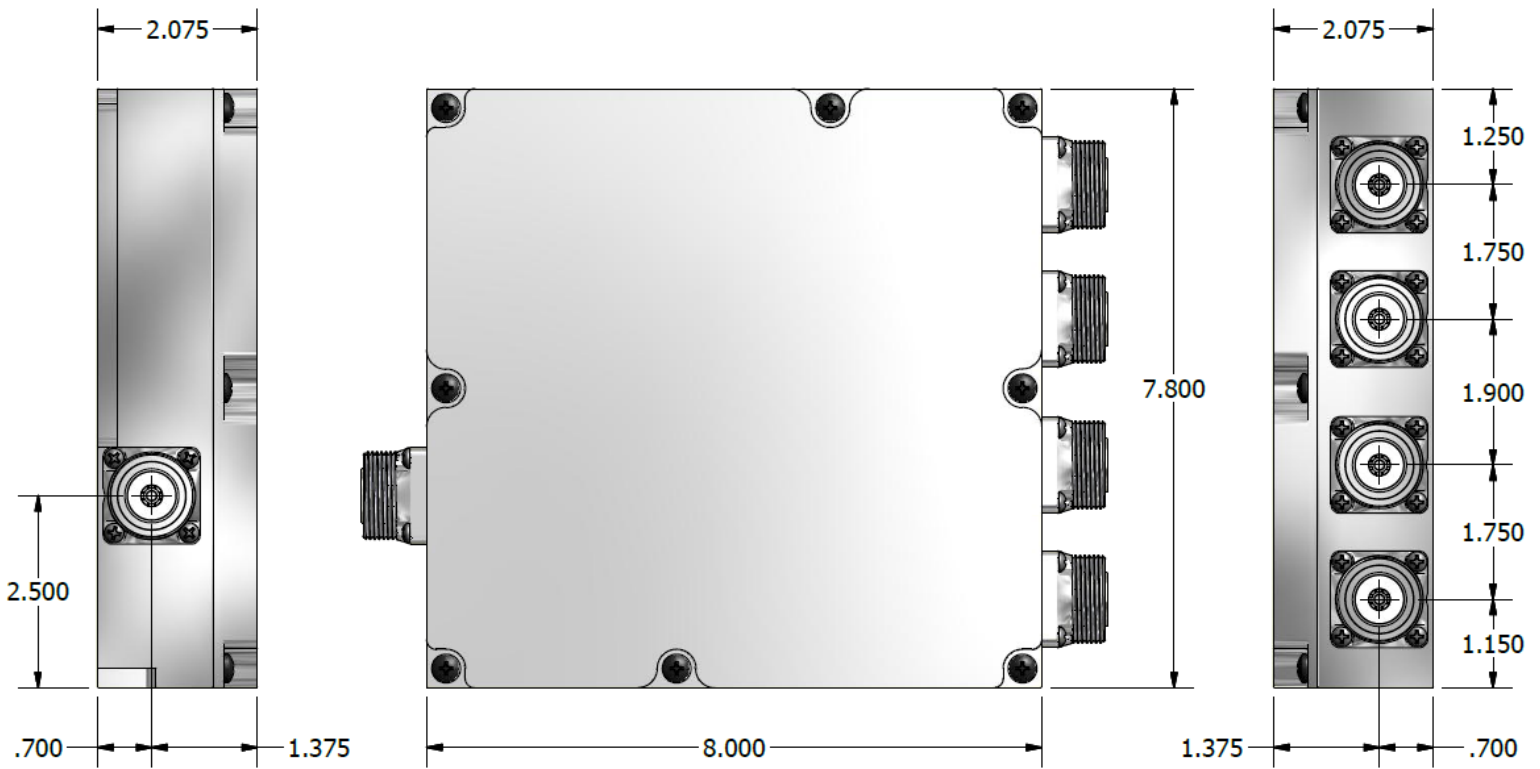
**\*\*\* ORDERING INFO:**

**Single Model:** Part#: 941-1300-2490-\*

**Dual Model:** Part#: 942-1300-2490-\*

\* - Connector Option

**Dimensions for 941-1300-2490**



Please contact our sales department at 737-200-7090 or [sales@InnowaveRF.com](mailto:sales@InnowaveRF.com) for any custom requirements.

© Innowave RF, LLC. All Rights Reserved. Specs can change without notice. Drawings are for reference purpose only.