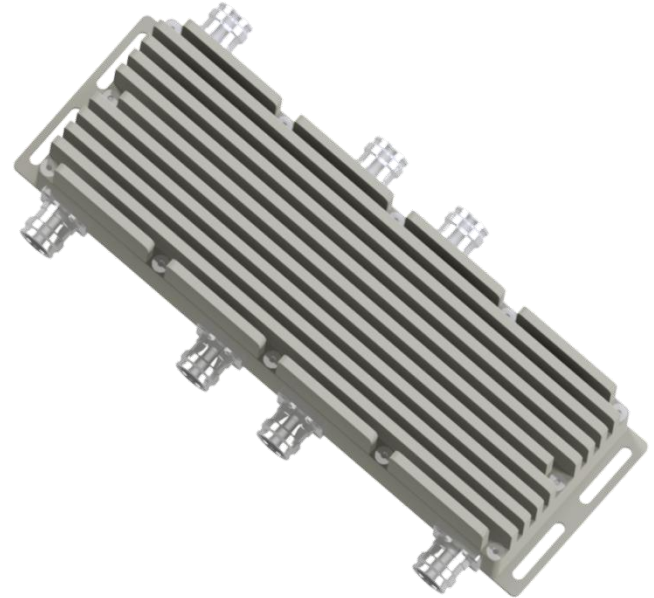


Innovation in Every Wave

246-600-2700 is a Wideband 4x4 Hybrid Combiner with 1 of the Output port internally terminated with 50 Ohms load. These can be used to combine any 4 signals in the 600MHz - 6000MHz range, including LTE-LAA, CBRS and C-Band. The combined signals will appear at the output ports. Each of the Input Ports can handle up to 100W of power. These hybrid combiners can be used over a wide range of temperature and environmental conditions.

FEATURES:

- Combines 4 signals between 600 – 6000MHz
- 1 of the Output Port is internally terminated with 50Ω
- Covers all **Cellular, LTE-LAA, CBRS and C-Bands**
- Best in class isolation between the 4 Input Ports
- Up to 100W of Input Power per port
- Low-PIM & High Power Handling
- *RoHS* Complaint
- Indoor and Outdoor use
- In Stock & Available Immediately
- Ease of Mounting with mounting holes / brackets
- Available in different Connector configurations



ELECTRICAL SPECIFICATIONS:

Frequency Range:	600MHz – 6000MHz
Insertion Loss:	6.20 dB ±0.80dB @ 600-2700MHz
	6.20 dB ±1.00dB @ 2700-4200MHz
	6.35 dB ±1.10dB @ 4200-6000MHz
Isolation:	25.00 dB @ 600-3800 MHz
	24.00 dB @ 3800-6000 MHz
VSWR:	1.25
Impedance:	50 Ohms
Input Power:	100 Watts (Avg) / Port
Intermodulation (PIM - 3rd):	-161 dBc (2Tones +43dBm)

MECHANICAL SPECIFICATIONS:

Connectors:	4.3-10 (D43) / Nex10 (X10)
Housing Finish:	Aluminum Body
Mounting Method:	Mounting Holes
Temperature Range:	-30°C to 70°C
Weight:	6.50 lbs
Humidity:	5% - 95%
Environment:	IP67

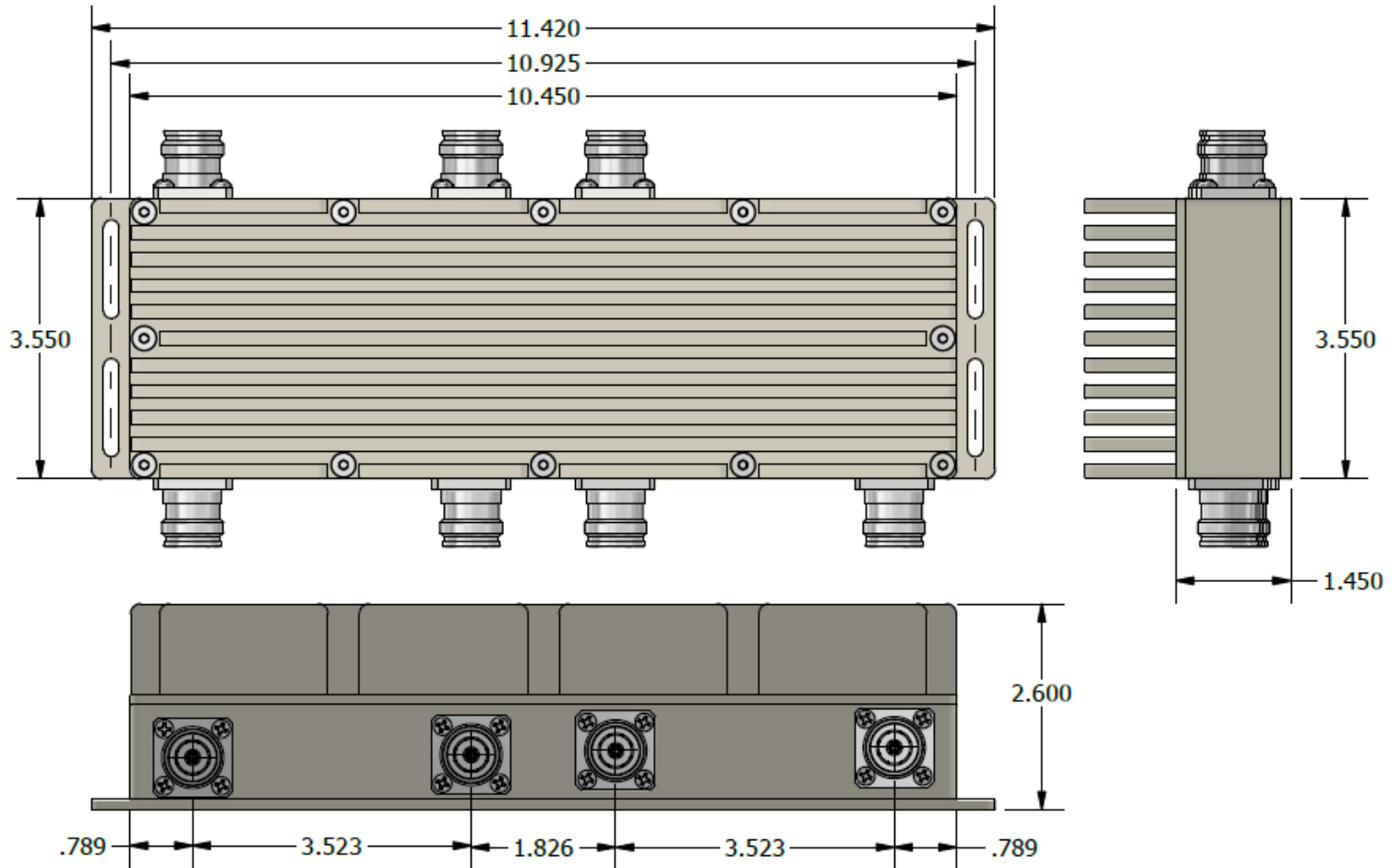
ORDERING INFO:

Connector Configuration:

Part#: 246-600-6000-*

* - See Connector Options

Dimensions for 246-600-6000-D43



Please contact our sales department at 737-200-7090 or sales@InnowaveRF.com for any custom requirements.

© Innowave RF, LLC. All Rights Reserved. Specs can change without notice. Drawings are for reference purpose only.