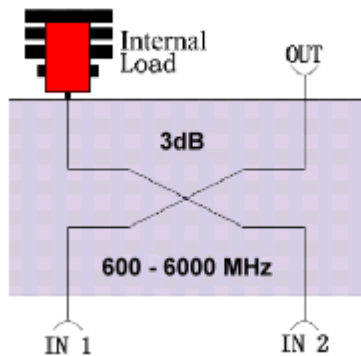
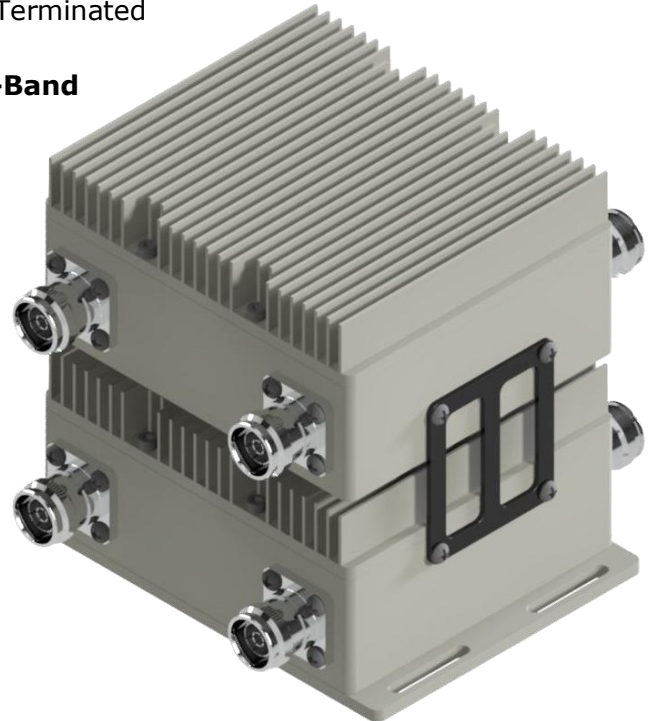


**242-600-6000** is a Stacked version of a 2x1 Hybrid Coupler that can be used to combine any 2 signals in the 600MHz - 6000MHz range, including the LTE-LAA, CBRS and C-Band. The 2<sup>nd</sup> output port of both the couplers is internally terminated to a Low PIM 50Ω load. The combined or split signals will appear at the output port. These can be used over a wide range of temperature & environmental conditions. This Hybrid Coupler is rated for 100W applications. Higher wattage models are available on request.

**FEATURES:**

- Combines or Split 2 signals in the 600MHz – 6000MHz
- Stacked 2x1 Hybrid Coupler with 2<sup>nd</sup> Output Internally Terminated
- 100W applications
- Designed to include **600-B71, LTE-LAA, CBRS and C-Band**
- Internally terminated to a Low PIM 50Ω load
- Best-in-class Isolation between the 2 signals
- Available in 4.3-10 or Nex10 Connectors
- Very low Insertion Loss
- RoHS Compliant
- Ease of Mounting with mounting holes / brackets
- Weatherproof for Outdoor use
- In Stock and Available Immediately



**ELECTRICAL SPECIFICATIONS:**

Frequency Range:	600MHz – 6000MHz
Coupling Loss:	3.25 ± 1.00 dB @ 600-4200 MHz 3.50 ± 1.10 dB @ 4200-6000 MHz
Isolation:	25.00 dB @ 600-4200 MHz 24.00 dB @ 4200-6000 MHz
Impedance:	50 Ohms
Return Loss:	18 dB
VSWR:	1.25
Power:	100 Watts (Avg)
Intermodulation (PIM - 3rd):	-161 dBc (2Tones +43dBm)

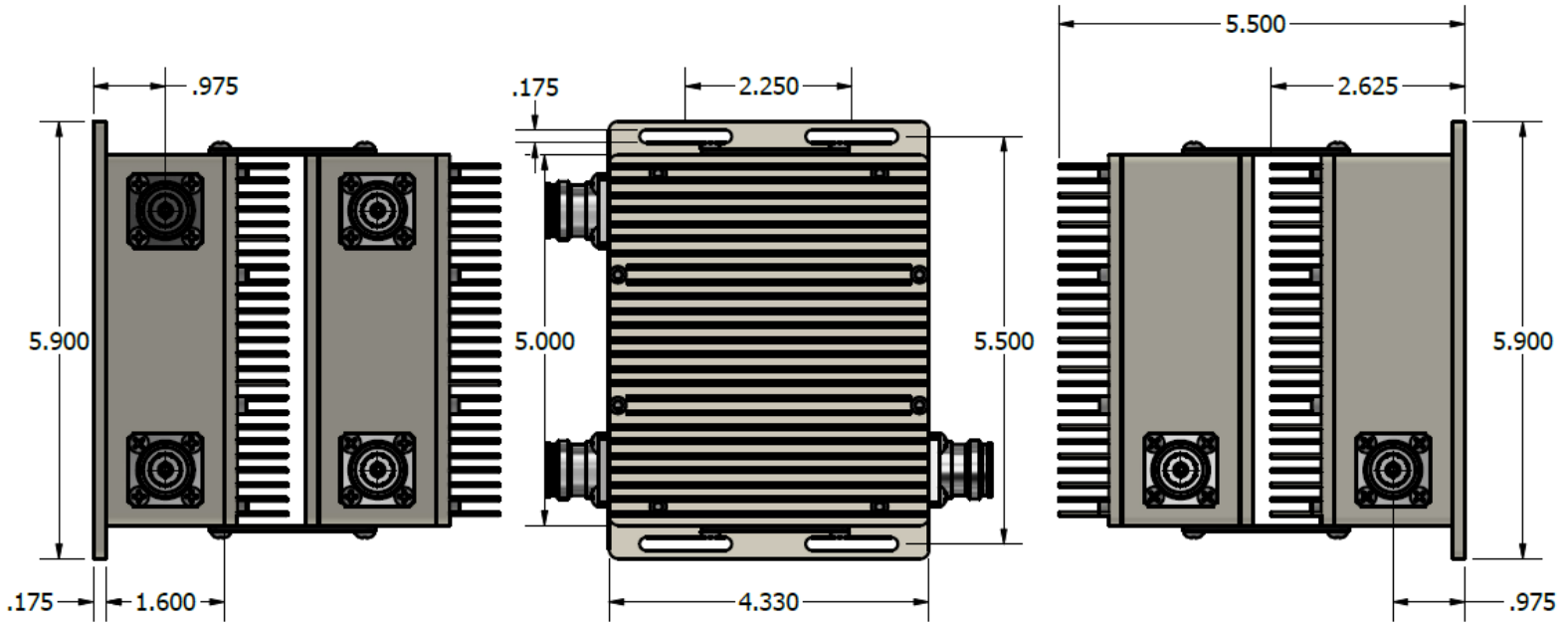
**MECHANICAL SPECIFICATIONS:**

Connectors:	4.3-10 (D43) / Nex10 (X10)
Housing Finish:	Aluminum Body
Mounting Method:	Mounting Hole
Temperature Range:	-35°C to 85°C
Weight:	7.20 lbs
Humidity:	100%
Environment:	IP67

**ORDERING INFO:**

**Connector Configuration:** Part#: 242-600-6000-\*  
\* - See Connector Options

**Dimensions for 242-600-6000-D43**



Please contact our sales department at 737-200-7090 or [sales@InnowaveRF.com](mailto:sales@InnowaveRF.com) for any custom requirements.

© Innowave RF, LLC. All Rights Reserved. Specs can change without notice. Drawings are for reference purpose only.