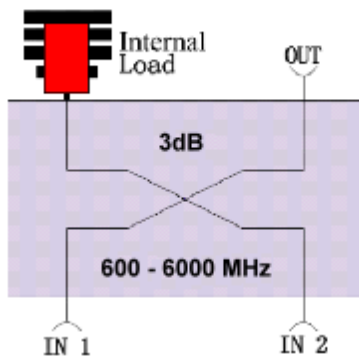


241-600-6000 is a 3 port Hybrid Coupler that can be used to combine any 2 signals in the 600MHz - 6000MHz range, including the LTE-LAA, CBRS and C-Band. The 4th port internally terminated to a Low PIM 50Ω load. The combined or split signals will appear at the output port. These can be used over a wide range of temperature & environmental conditions. This Hybrid Coupler is rated for 100W applications. Higher wattage models are available on request.

FEATURES:

- Combines or Split 2 signals in the 600MHz – 6000MHz
- Designed to include **600-B71, LTE-LAA, CBRS and C-Band**
- Internally terminated to a Low PIM 50Ω load
- Best-in-class Isolation between the 2 signals
- Available in 4.3-10 or Nex10 Connectors
- Very low Insertion Loss
- RoHS Compliant
- Ease of Mounting with mounting holes / brackets
- Weatherproof for Outdoor use
- In Stock and Available Immediately



ELECTRICAL SPECIFICATIONS:

Frequency Range:	600MHz – 6000MHz
Coupling Loss:	3.25 ± 1.00 dB @ 600-4200 MHz 3.50 ± 1.10 dB @ 4200-6000 MHz
Isolation:	25.00 dB @ 600-4200 MHz 24.00 dB @ 4200-6000 MHz
Impedance:	50 Ohms
Return Loss:	18 dB
VSWR:	1.25
Power:	100 Watts (Avg)
Intermodulation (PIM - 3rd):	-161 dBc (2 Tones +43dBm)

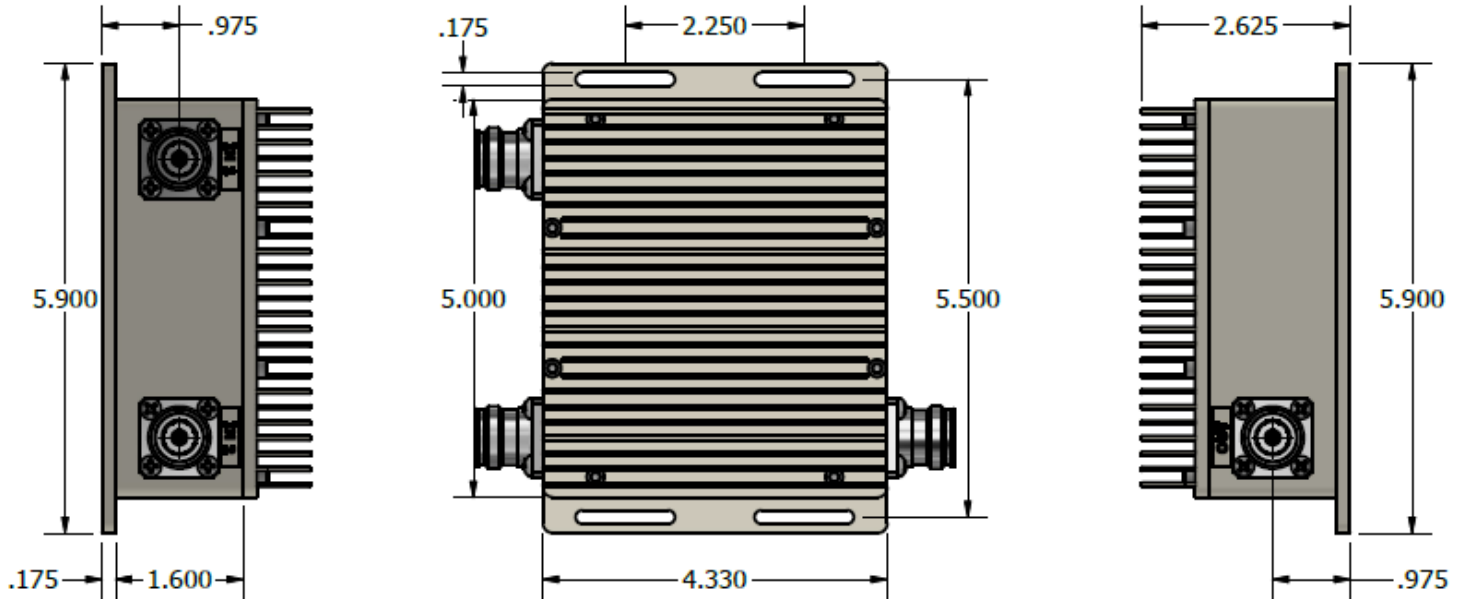
MECHANICAL SPECIFICATIONS:

Connectors:	4.3-10 (D43) Nex10 (X10)
Housing Finish:	Aluminum Body
Mounting Method:	Mounting Hole
Temperature Range:	-30°C to 70°C
Weight:	3.40 lbs
Humidity:	100%
Environment:	IP67

ORDERING INFO:

Connector Configuration: Part#: 241-600-6000-*
* - See Connector Options

Dimensions for 241-600-6000-D43



Please contact our sales department at 737-200-7090 or sales@InnowaveRF.com for any custom requirements.

© Innowave RF, LLC. All Rights Reserved. Specs can change without notice. Drawings are for reference purpose only.