

**Innovation in Every Wave**

**231-600-6000** is 4x4, 6dB Ultra Wideband Hybrid Combiner that can be used to combine or split any 4 signals in the 600MHz - 6000MHz range, including the CBRS, C-Band and LTE-LAA bands. The combined signals will appear at all the output ports. These are symmetric devices so Inputs and Outputs can be used interchangeably. Two Monitoring Ports are also available to check on the quality of the Output Signal. It can also be used to split one input signal into 4 output ports. The unused port must be always terminated with a 50Ω Load.

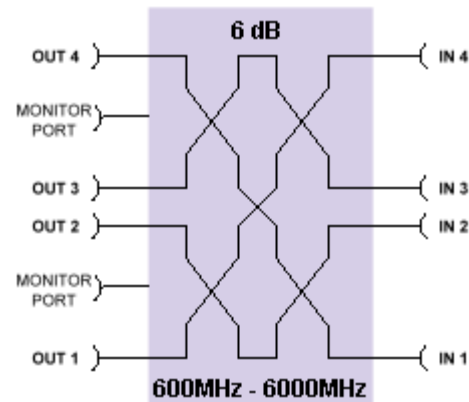
**FEATURES:**

- Splits or Combines 4 signals between 600 – 6000MHz
- Designed to include **CBRS, C-Band and LTE-LAA** band
- Best-in-class Isolation between the 4 ports
- Two Monitoring Ports available – SMA (Female)
- Very low Insertion Loss
- Low-PIM & High Power Handling
- *RoHS* Complaint
- Weatherproof for Outdoor use
- In Stock & Available Immediately
- Ease of Mounting with mounting holes / brackets
- Available in different Connector configurations



**ELECTRICAL SPECIFICATIONS:**

Frequency Range:	600MHz – 6000MHz
Coupling Loss:	6.20 dB ±0.80dB @ 600-2700MHz 6.20 dB ±1.00dB @ 2700-4200MHz 6.35 dB ±1.10dB @ 4200-6000MHz
Isolation:	25.00 dB @ 600-3800 MHz 24.00 dB @ 3800-6000 MHz
VSWR:	1.25
Impedance:	50 Ohms
Input Power:	300 Watts (Avg) / Port
Intermodulation (PIM - 3rd):	-161 dBc (2Tones +43dBm)
DC Path:	IN PORT1 → OUT PORT4 IN PORT2 → OUT PORT2 IN PORT3 → OUT PORT3 IN PORT4 → OUT PORT1 (Max 6.5A AISG2 Conform)



**MECHANICAL SPECIFICATIONS:**

Connectors:	4.3-10 (D43) / Nex10 (X10)
Monitoring Port:	2x SMA (Female)
Housing Finish:	Aluminum Body
Mounting Method:	Mounting Kit
Temperature Range:	-30°C to 70°C
Weight:	4.10 lbs
Humidity:	5% - 95%

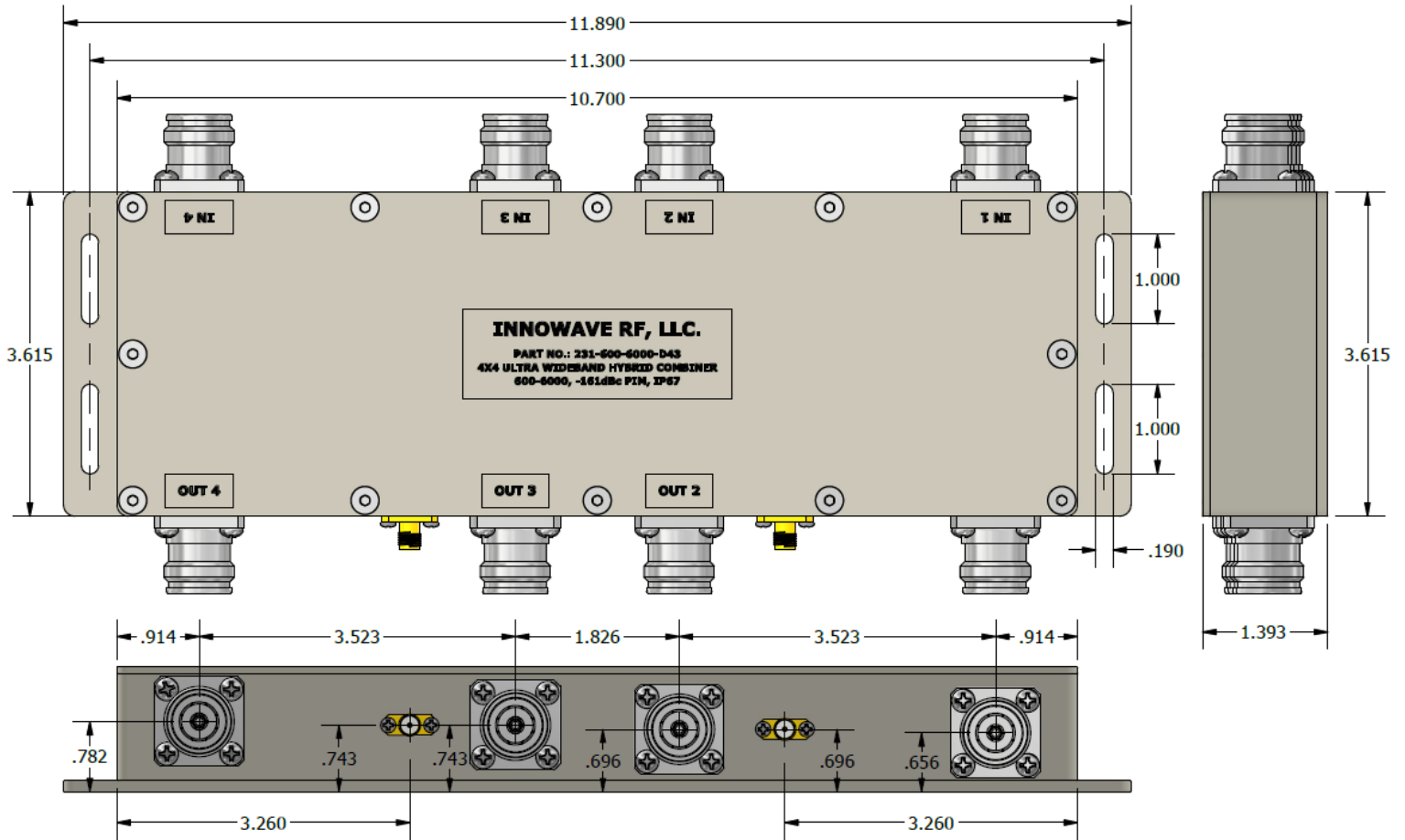
**ORDERING INFO:**

**Connector Configuration:**

Part#: 231M-600-6000-\*

\* - See Connector Options

**Dimensions for 231M-600-6000-D43**



Please contact our sales department at 737-200-7090 or [sales@InnowaveRF.com](mailto:sales@InnowaveRF.com) for any custom requirements.

© Innowave RF, LLC. All Rights Reserved. Specs can change without notice. Drawings are for reference purpose only.