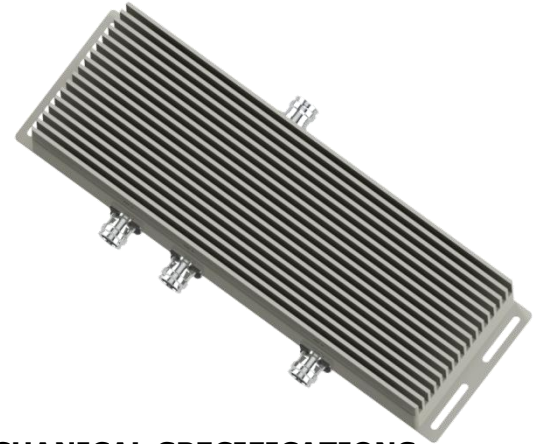


Innovation in Every Wave

228-600-6000 is a Wideband 3x3 Hybrid Combiner, with 2 of the output ports Internally Terminated. These devices are used to combine any 3 signals in 600MHz – 6000MHz range, including LTE-LAA, CBRS and C-Band. The combined signal will appear at on the output port. Two of the output ports are internally terminated with a 50Ω Load. Each input port can handle up to 100W of power. These hybrid couplers can be used over a wide range of temperature and environmental conditions.

FEATURES:

- Combines 3 signals between 600MHz – 6000MHz
- 2 of the output ports are internally terminated with 50Ω
- Each input port can handle up to 100W of Power
- Covers all **Cellular Bands, LTE-LAA, CBRS and C-Band**
- Best-in-class Isolation between the 3 ports
- Low-PIM & High Power Handling
- Ease of Mounting with mounting holes
- Weatherproof for Outdoor use
- In Stock and Available Immediately



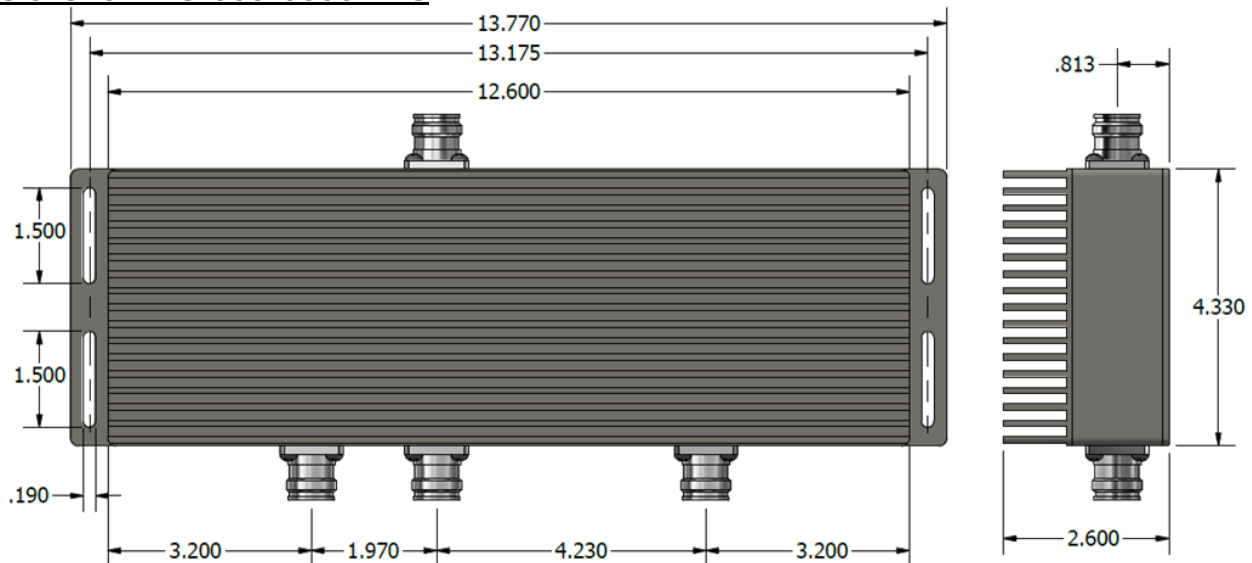
ELECTRICAL SPECIFICATIONS:

Frequency Range:	600MHz – 6000MHz
Coupling Loss:	5.00±1.00dB @ 600-2700 MHz 5.10±1.25dB @ 2700-4200 MHz 5.20±1.50dB @ 4200-6000 MHz
Isolation:	24.00 dB @ 600-3800 MHz 23.00 dB @ 3800-6000 MHz
VSWR:	1.25
Impedance:	50 Ohms
Input Power:	100 Watts/Port (Avg)
Intermodulation (PIM – 3 rd):	-161dBc (2 Tones +43dBm)

MECHANICAL SPECIFICATIONS:

Connectors:	4.3-10 (D43) / Nex10 (X10)
Housing Finish:	Aluminum Body
Mounting Method:	Mounting Holes
Temperature Range:	-30°C to 70°C
Weight:	8.00 lbs
Humidity:	5% - 95%
Environment:	IP67

Dimensions for 228-600-6000-D43



Please contact our sales department at 737-200-7090 or sales@InnowaveRF.com for any custom requirements.

© Innowave RF, LLC. All Rights Reserved. Specs can change without notice. Drawings are for reference purpose only.