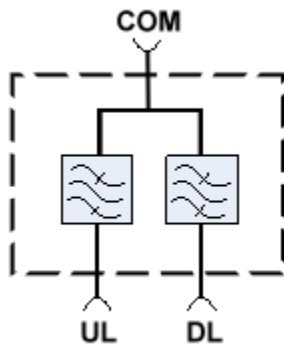


FEATURES:

- Splits or combines the Uplink (835-849) and Downlink (880-894) frequencies for **850MHz Band AMPS B & B' Band**
- Best-in-class Isolation between the 2 signals
- Very low Insertion Loss with superior out of band rejections
- Low-PIM with High Power Handling
- -161dBc PIM and DC By-Pass available on request
- Available in Type-N, 7/16 DIN, Mini-DIN and 4.3-10 Connectors
- Weatherproof / Outdoor unit (*921W Series*) also available
- RoHS Complaint
- In Stock to low lead time delivery



Block Diagram for 921-842-887



ELECTRICAL SPECIFICATIONS:

| | | |
|--|---|--------------------------------|
| Frequency Bands | Downlink Freq 880MHz - 894MHz | Uplink Freq 835MHz - 849MHz |
| Passband Insertion Loss | 0.35 dB | |
| Isolation | 75dB @ 835MHz - 849MHz | 75dB @ 880MHz - 894MHz |
| Return Loss | 22 dB | |
| Impedance | 50 Ohms | |
| DC Pass Current | 4000 mA (Typ) (Available on Request) | |
| Lightning Protection | 8/20S 10kA Pulse (IEC 801-5) (Available on Request) | |
| Input Power | 250 Watts (Avg); 500 Watts (Peak) | |
| Intermodulation (PIM - 3 rd) | -157 dBc (2 Tones +43 dBm) | |

MECHANICAL SPECIFICATIONS:

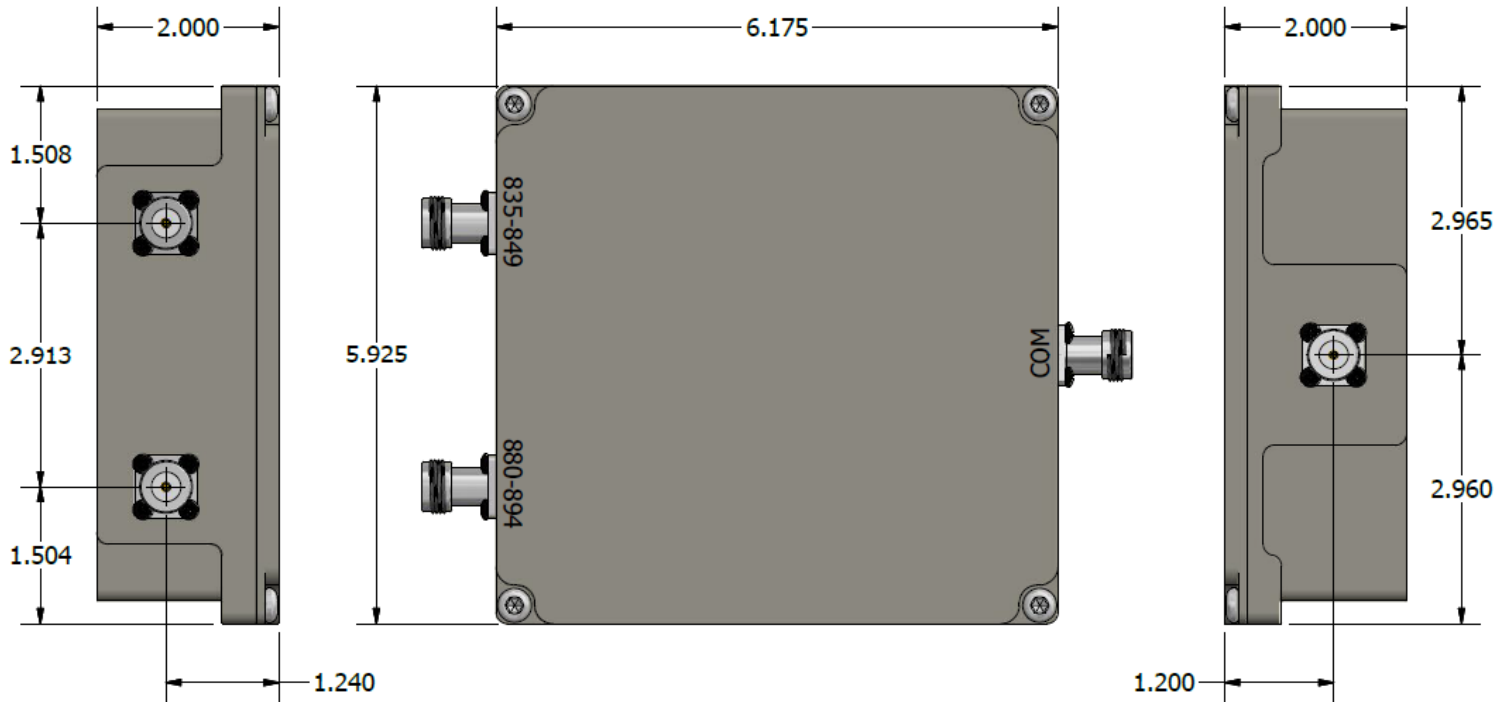
| | |
|--------------------|--|
| Connectors: | 7/16 DIN (D) / Mini-DIN (MD) / 4.3-10 (D43) / Type-N (N) |
| Housing Finish: | Aluminum Body |
| Mounting Method: | Mounting Bracket |
| Temperature Range: | -35°C to 75°C |
| Relative Humidity: | 5% - 95% |
| Environment: | IP65 (Indoor) IP67 (Outdoor) |

***** ORDERING INFO:**

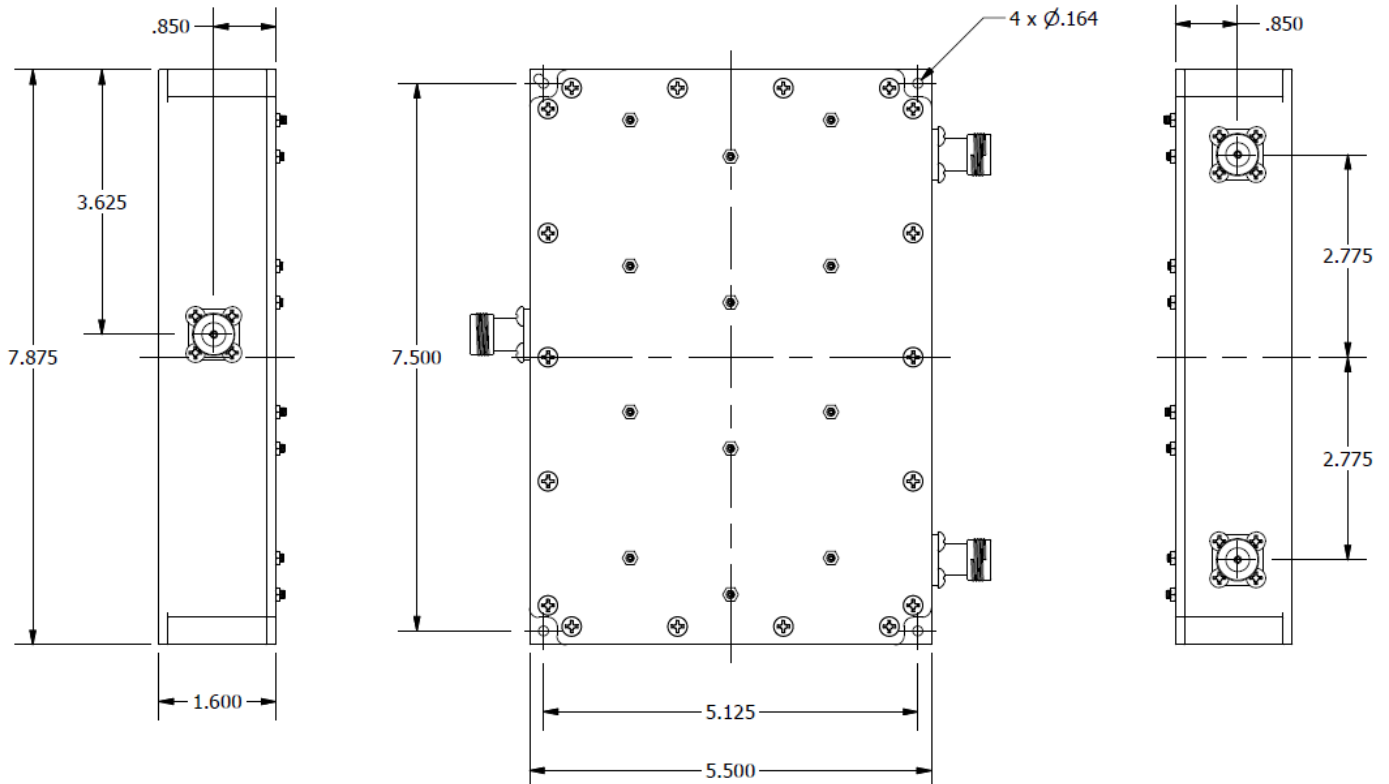
| | |
|-----------------------|-----------------------|
| Indoor Model: | Part#: 921X-842-887-* |
| Outdoor Model: | Part#: 921W-842-887-* |

* - Connector Option

Dimensions for 921W-842-887-N



Dimensions for 921X-842-887-N



Please contact our sales department at 737-200-7090 or sales@InnowaveRF.com for any custom requirements.

© Innowave RF, LLC. All Rights Reserved. Specs can change without notice. Drawings are for reference purpose only.