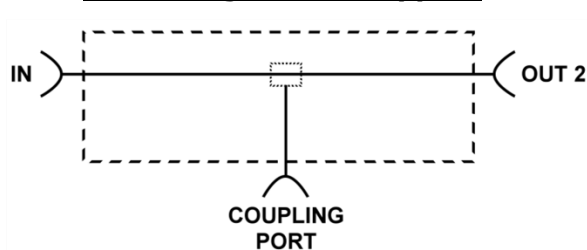


820-138-960 is 20dB (100:1) Tappers / Unequal Splitters are used for Public Safety applications from 138 MHz – 960 MHz. Other models with splitting ratios from 2:1 to 1000:1 and with minimal Insertion loss and excellent coupling flatness across the entire band are also available. It also exhibits outstanding VSWR at all three ports across the Public Safety frequencies including UHF and VHF bands. These are also available as weatherproof units that are suitable for extreme conditions. They come with Type-N connectors as Standard for Public Safety applications. Other connector options are also available.

FEATURES:

- Public Safety Applications, 138 MHz to 960 MHz
- Low Insertion Loss and Low VSWR
- Available in different Coupling Ratios
- *RoHS* Compliant
- Type-N Connectors Standard
- Weatherproof / Outdoor unit available on request
- Superior Construction
- In Stock to low lead time delivery

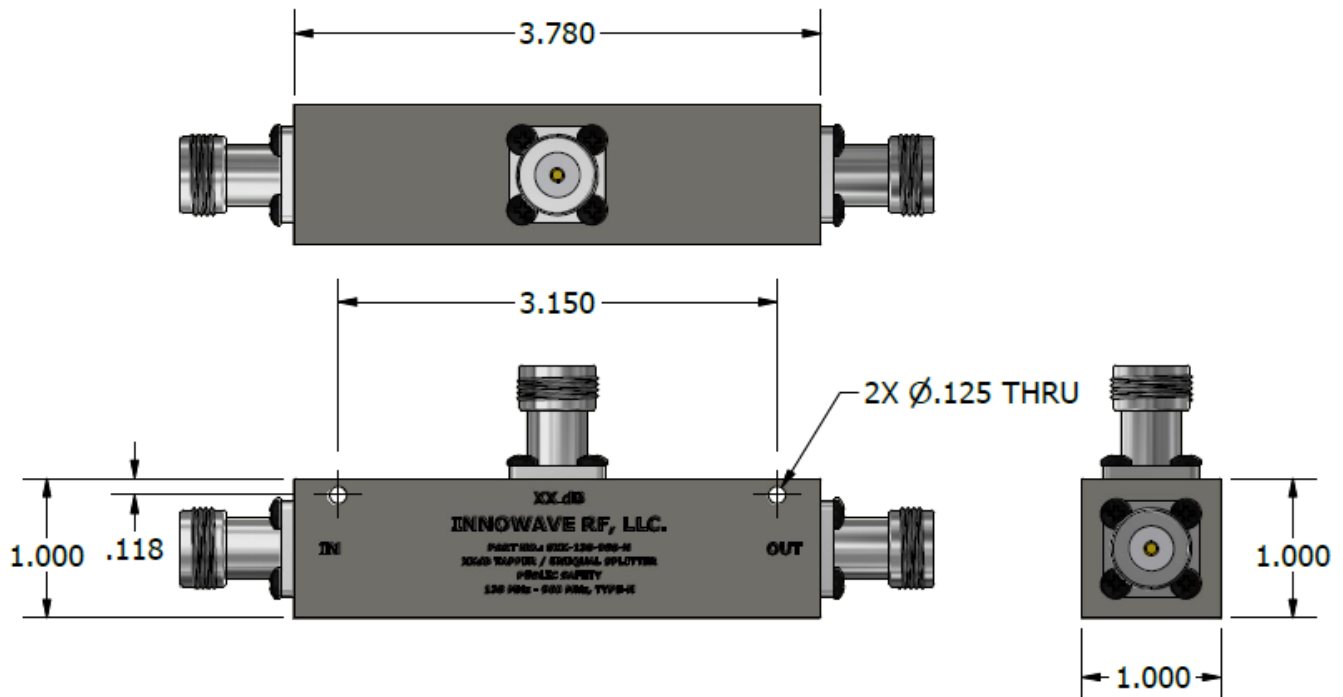

Block Diagram for Tappers

ELECTRICAL SPECIFICATIONS:

Coupling Ratio	2:1	3:1	5:1	10:1	20:1	30:1	100:1	
Inequality b/n Outputs	3dB	4.8dB	7dB	10dB	13dB	15dB	20dB	
Output Splits (dB)	1.8/4.8	1.3/6.1	1.2/7.8	0.4/10.4	0.2/13.2	0.1/15.1	0.1/20.1	
Frequency Bands	138 MHz - 960 MHz							
Flatness (ref to Input)(dB)	±0.90@138-200 ±0.65@200-380 ±0.60@380-698 ±0.60@698-960	±0.80@138-200 ±0.60@200-380 ±0.60@380-698 ±0.50@698-960		±0.80@138-200 ±0.75@200-380 ±0.70@380-698 ±0.60@698-960		±1.00@138-200 ±0.90@200-380 ±0.90@380-698 ±0.85@698-960		
Return Loss	1.35@350-960 1.30@1695-2700 1.30@3300-4200 1.25@5100-6000							
Impedance	50 Ω							
Input Power	300 Watts (Avg)							

MECHANICAL SPECIFICATIONS:

Standard Connectors:	Type-N (N)
Housing Finish:	Aluminum Body
Mounting Method:	Mounting Panel
Temperature Range:	-55°C to 85°C
Weight:	1.50 lb
Relative Humidity:	5% - 95%
Environment:	IP65 (IP67 Available on Request)

Dimensions for 820-138-960-N



ORDERING INFO:

Tapper Values	Corresponding Part Number	
	Type-N	
3 dB	803-138-960-N	
4.8 dB	805-138-960-N	
7 dB	807-138-960-N	
10 dB	810-138-960-N	
13 dB	813-138-960-N	
15 dB	815-138-960-N	
20 dB	820-138-960-N	

Please contact our sales department at 737-200-7090 or sales@InnowaveRF.com for any custom requirements.

© Innowave RF, LLC. All Rights Reserved. Specs can change without notice. Drawings are for reference purpose only.