

771-600-6000 is PIM-Rated, Ultra Wideband Omni-Directional MIMO Antenna that allows facilities to support all cellular and non-cellular frequency bands from 600 MHz to 6000 MHz, including CBRS and LTE-LAA. This MIMO Antenna has uniform coverage for all the applications with one antenna. Its Low-Profile Structure is perfect for any In-Building Applications.

FEATURES:

- Superior Performance across all bands from 600MHz to 6000MHz
- Covers Cellular, CBRS, LTE-LAA & Wi-Fi/WiMAX bands
- Low-Profile, Light Weight Antenna
- High Gain, Low VSWR
- Low PIM performance
- Corrosion resistant and Anti-aging material
- RoHS Complaint
- In Stock to low lead time delivery



ELECTRICAL SPECIFICATIONS:

Frequency Bands	617-806	806-960	1695-2700	3300-4000	4000-6000
Gain	3.0 dBi	4.0 dBi	4.5 dBi	6.0 dBi	6.5 dBi
VSWR	≤ 1.9	≤ 1.8	≤ 1.8	≤ 1.8	≤ 1.8
Polarization	Linear H / V for each Radiator				
Isolation	≥ 19 dB		≥ 23 dB		
Horizontal Beamwidth	360°				
Vertical Beamwidth	95°	90°	46°	38°	30°
Input Impedance	50 Ohms				
Max Power	50 Watts				
Lightning Protection	DC Ground				
Intermodulation (PIM - 3 rd)	-155 dBc (Typ) (2 Tones +43 dBm)				

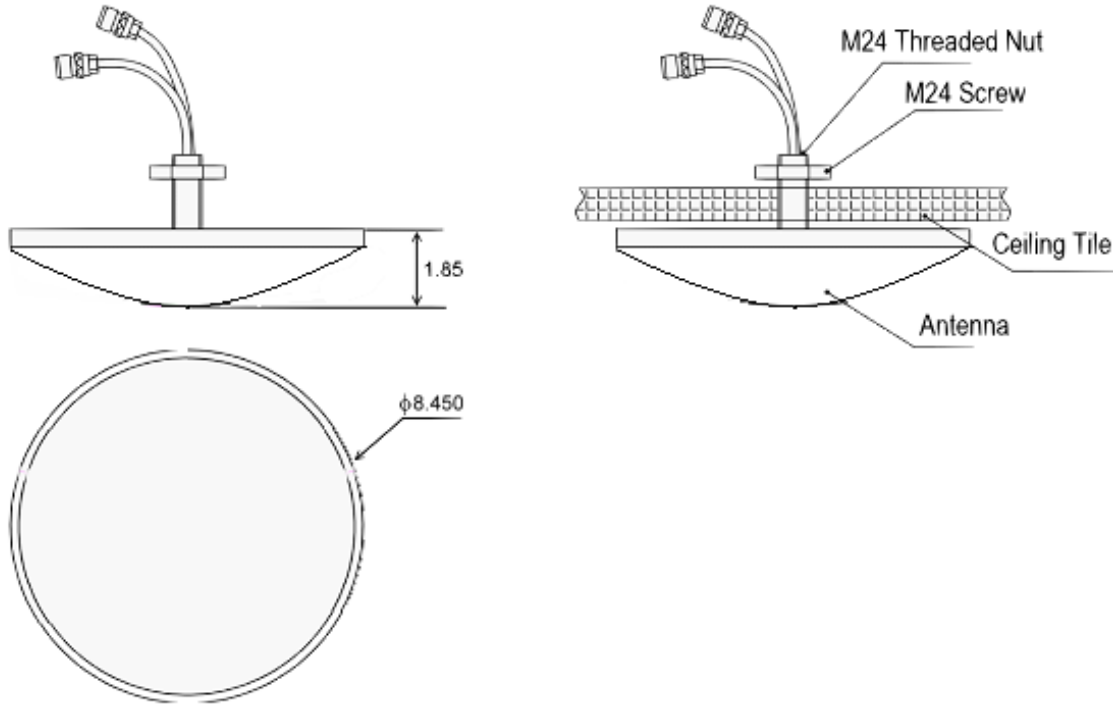
MECHANICAL SPECIFICATIONS:

Connectors	2x 4.3-10(F) (Standard)
Environmental Class	IP65
Mounting	Ceiling Mount
Dimension	ø8.450" x 1.850"
Weight	1.00 lb
Radome Material	ABS (UV Stabilized)
Radome Color	White (Standard)
Operating Temperature	-40°C to +65°C

ORDERING INFO:

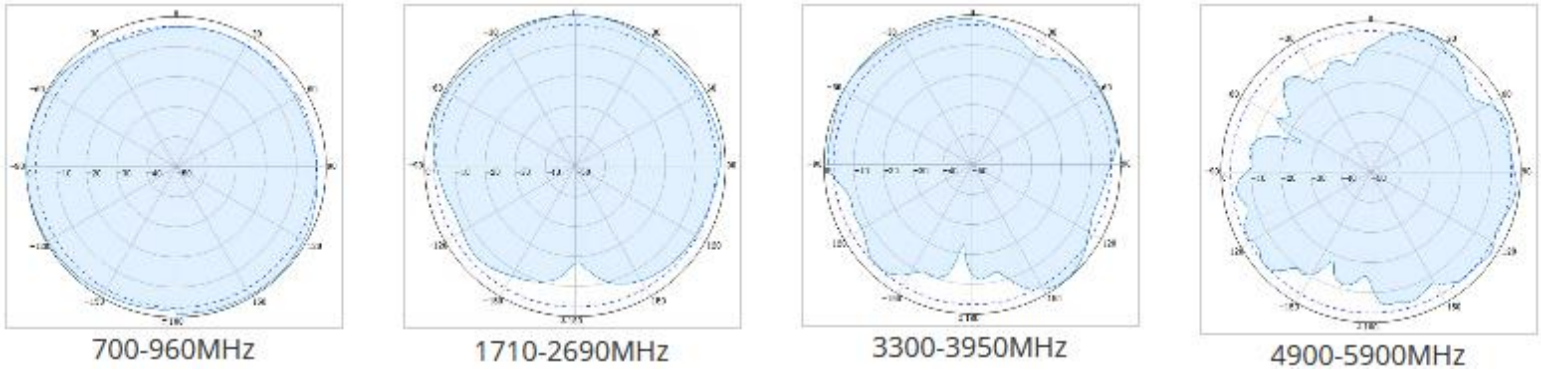
4.3-10 Conn: 771-600-6000-D43
 Type-N Conn: 771-600-6000-N

Dimensions for 771-600-6000-D43

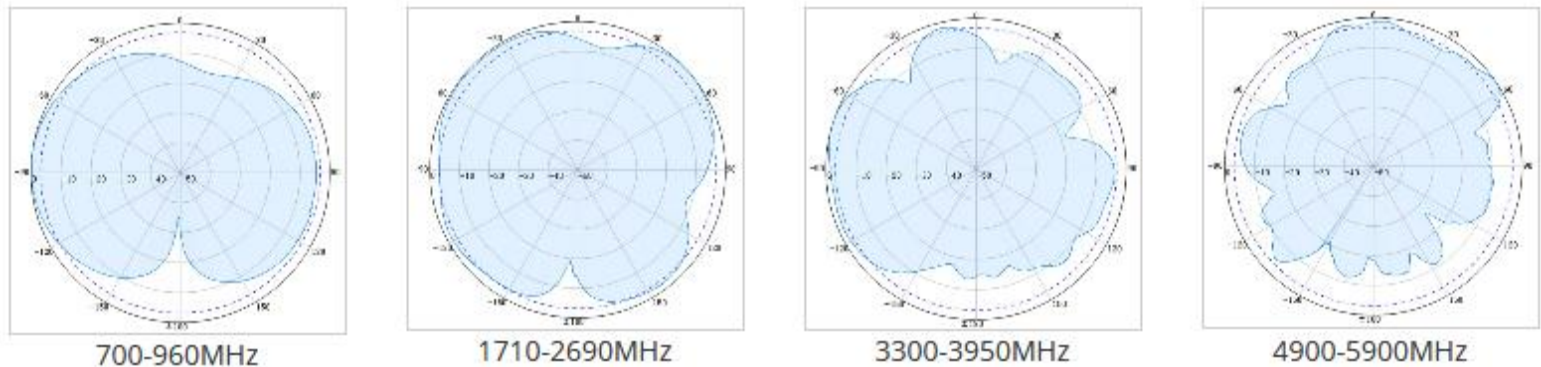


Radiation Patterns

Horizontal



Vertical



Please contact our sales department at 737-200-7090 or sales@InnowaveRF.com for any custom requirements.

© Innowave RF, LLC. All Rights Reserved. Specs can change without notice. Drawings are for reference purpose only.