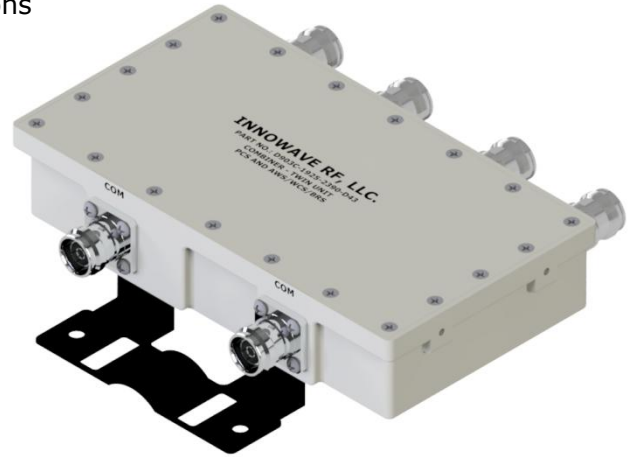
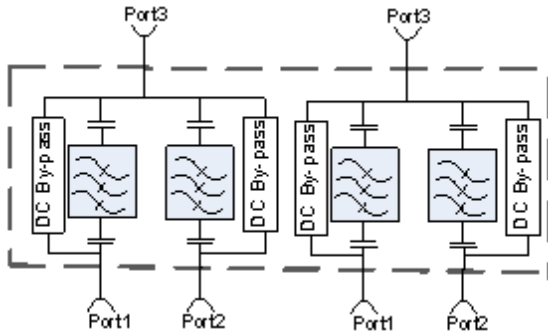


Innovation in Every Wave
FEATURES:

- Splits or combines the **PCS Band** (1850MHz-2000MHz) and **AWS-1 / AWS-3 / WCS/ BRS Bands** (1695MHz-1780MHz & 2110MHz-2690MHz)
- Available in **Single Model (901C Series), Stacked Model (902C Series) & Quad Model (904C Series)**
- Minimum 40dB Isolation between the bands
- Very low Insertion Loss with superior out of band rejections
- Available in 4.3-10 or NEX10 Connectors
- Ease of Mounting with mounting holes and brackets
- Low-PIM with High Power Handling
- *RoHS* Compliant
- Weatherproof for Outdoor installation
- In Stock and Available Immediately


ELECTRICAL SPECIFICATIONS:

Frequency Bands	PCS 1850MHz-2000MHz	AWS-1/AWS-3/WCS/BRS 1695MHz-1780MHz & 2110MHz-2690MHz
Passband Insertion Loss	0.20 dB	
Isolation	≥ 40 dB	
Return Loss	21 dB	
Impedance	50 Ohms	
Input Power / Port	150 Watts (Avg)	
DC Pass Current	4000 mA (Typ) <i>(DC Block Available on Request)</i>	
Intermodulation (PIM - 3 rd)	-161 dBc (2 Tones +43 dBm)	
Lightning Protection	8/20S 10kA Pulse (IEC 801-5) <i>(On Request)</i>	
MTBF Hours	≥ 500,000	

MECHANICAL SPECIFICATIONS:

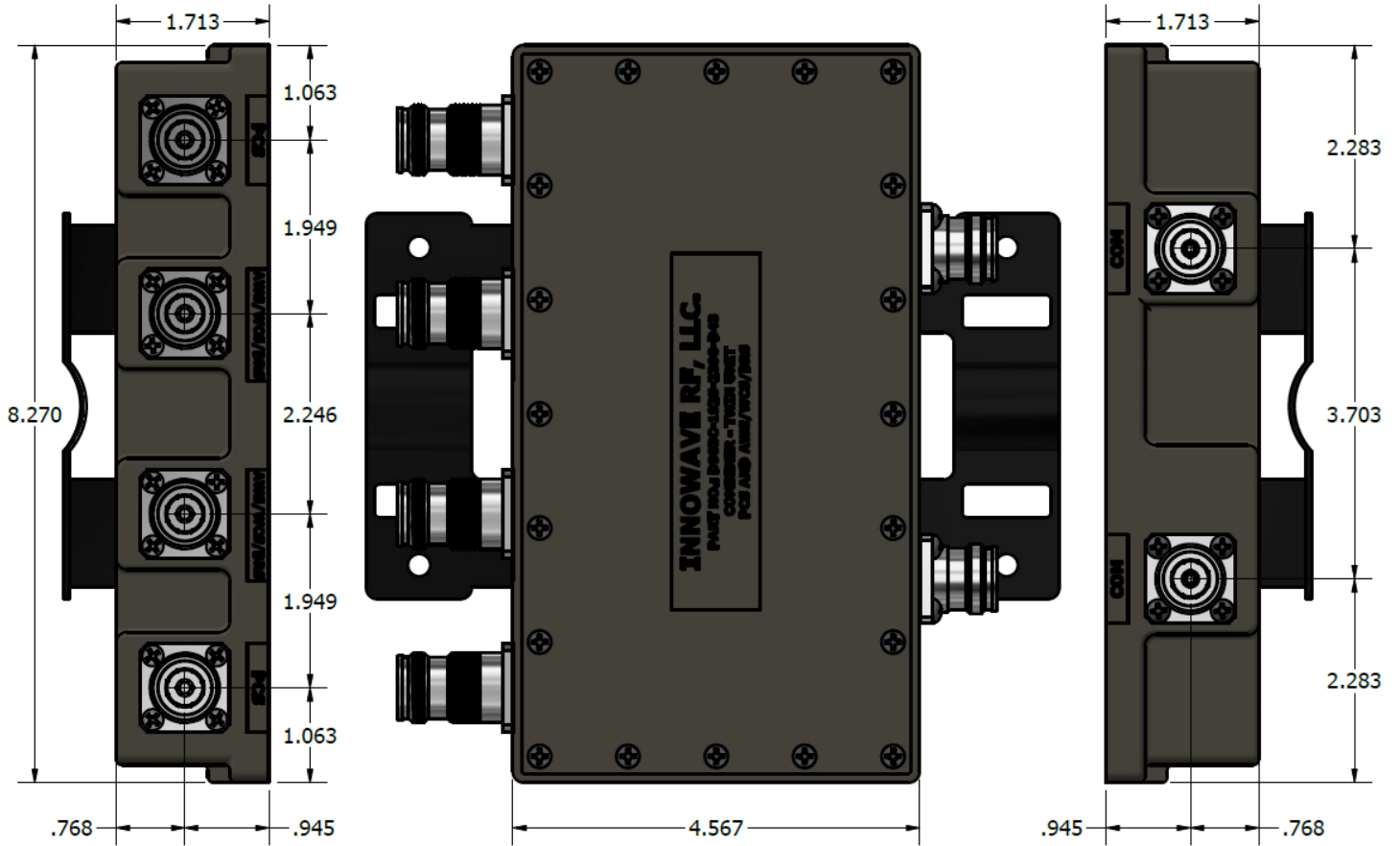
Connectors:	4.3-10 (D43) / NEX10 (X10)
Housing Finish:	Aluminum Body
Mounting Method:	Mounting Bracket
Temperature Range:	-30°C to 75°C
Humidity:	5% – 95%
Weight:	8.50 lbs
Environment:	IP67

ORDERING INFO:
Single Model:

4.3-10 Connector:	Part#: 903C-1925-2390-D43
NEX10 Connector:	Part#: 903C-1925-2390-X10

**SINGLE/STACKED/QUAD MODEL
AVAILABLE**

Dimensions for 903C-1925-2390-D43



SINGLE/STACKED/QUAD MODELS AVAILABLE

Please contact our sales department at 737-200-7090 or sales@InnowaveRF.com for any custom requirements.

© Innowave RF, LLC. All Rights Reserved. Specs can change without notice. Drawings are for reference purpose only.