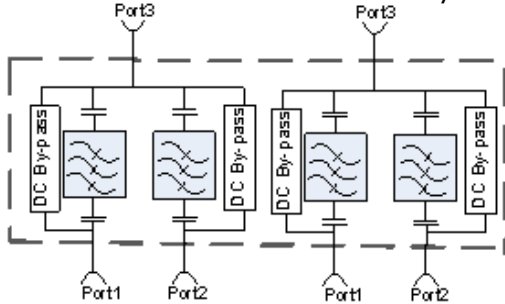


**FEATURES:**

- Splits or combines the **600(B71)/700+FN/850/PCS/AWS-1&3** (617MHz-896MHz, 1695MHz-2200MHz) and **WCS/BRS/CBRS/C-Band** (2300MHz-2690MHz, 3300MHz-4200MHz)
- Available in **Single Model (901C Series), Stacked Model (902C Series) & Quad Model (904C Series)**
- Minimum 40dB Isolation between the bands
- Very low Insertion Loss with superior out of band rejections
- Available in 4.3-10 or NEX10 Connectors
- Ease of Mounting with mounting holes and brackets
- Low-PIM with High Power Handling
- RoHS Compliant
- Weatherproof for Outdoor installation
- In Stock and Available Immediately



**ELECTRICAL SPECIFICATIONS:**

Frequency Bands	<b>600(B71)/700+FN/850/PCS/AWS-1&amp;3</b>	<b>WCS/BRS/C-Band/CBRS</b>
	617 MHz - 896 MHz 1695 MHz - 2200 MHz	2300 MHz - 2690 MHz 3300 MHz - 4200 MHz
Passband Insertion Loss	0.20 dB	
Isolation	≥ 40 dB	
Return Loss	21 dB	
Impedance	50 Ohms	
Input Power / Port	150 Watts (Avg)	
DC Pass Current	4000 mA (Typ) <i>(DC Block Available on Request)</i>	
Intermodulation (PIM - 3 <sup>rd</sup> )	-161 dBc (2 Tones +43 dBm)	
Lightning Protection	8/20S 10kA Pulse (IEC 801-5)	
MTBF Hours	≥ 500,000	

**MECHANICAL SPECIFICATIONS:**

Connectors:	4.3-10 (D43) / NEX10 (X10)
Housing Finish:	Aluminum Body
Mounting Method:	Mounting Bracket
Temperature Range:	-30°C to 75°C
Humidity:	5% - 95%
Weight:	8.50 lbs
Environment:	IP67

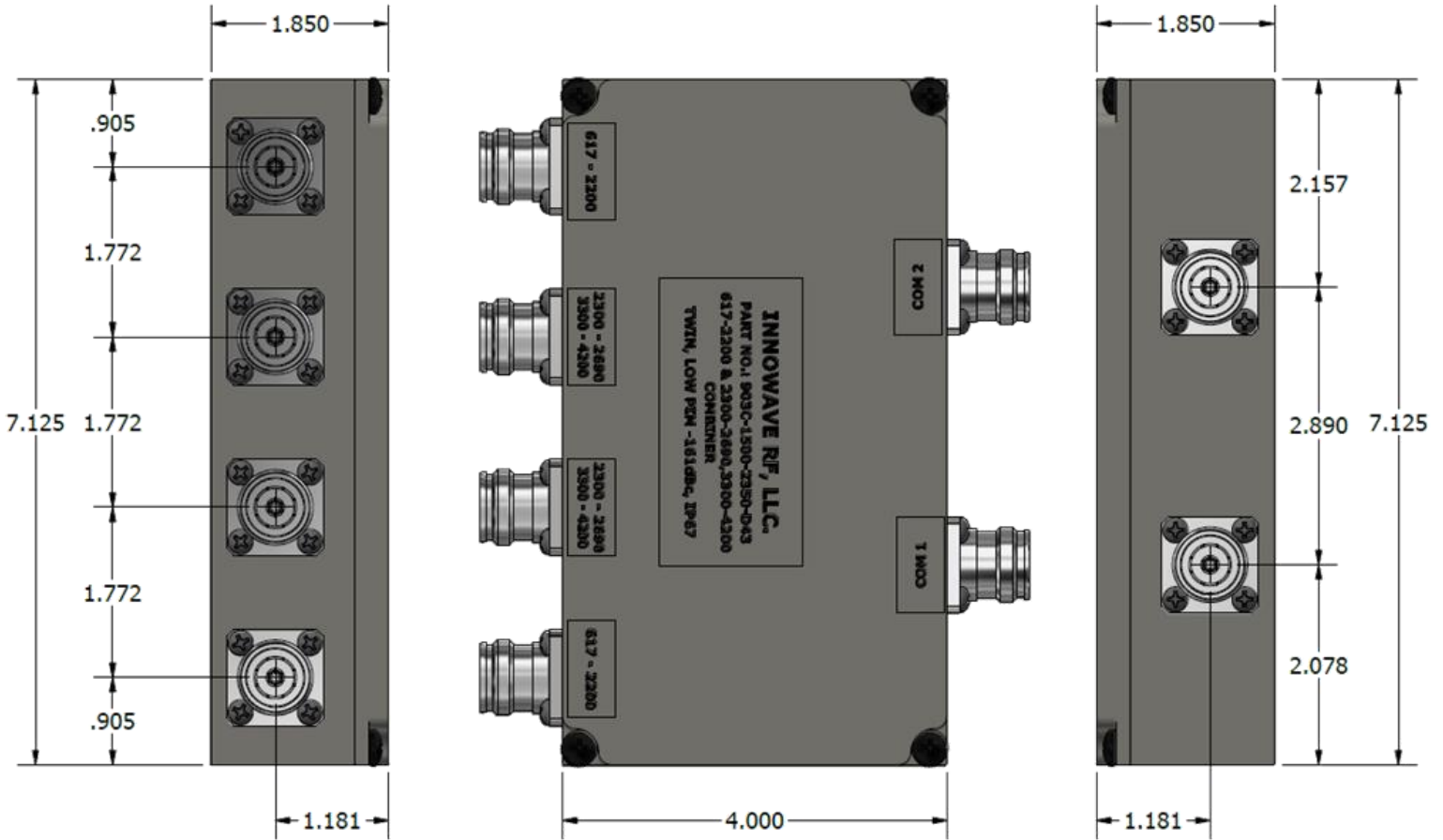
**ORDERING INFO:**

**Single Model:**

4.3-10 Connector:	Part#: 903C-1500-4900-D43
NEX10 Connector:	Part#: 903C-1500-4900-X10

**SINGLE/STACKED/QUAD MODEL AVAILABLE**

**Dimensions for 903C-1500-4900-D43**



**SINGLE/STACKED/QUAD MODELS AVAILABLE**

Please contact our sales department at 737-200-7090 or [sales@InnowaveRF.com](mailto:sales@InnowaveRF.com) for any custom requirements.

© Innovave RF, LLC. All Rights Reserved. Specs can change without notice. Drawings are for reference purpose only.