

**751-600-6000** is PIM-Rated, Ultra Wideband Ceiling-Mount Antenna that allows facilities to support all cellular and non-cellular frequency bands from 600 MHz to 6000 MHz. This Antenna provides a unique feature of covering the entire 3G/4G/LTE cellular, CBRS, LTE-LAA and Wi-Fi/WiMAX frequencies. It supports all cellular standards with high efficiency in all the bands, thus enabling a uniform coverage for all the applications with one antenna. This Super Thin Antenna is designed to blend in with the environment and is perfect for In-Building Applications.

**FEATURES:**

- Superior Performance across all bands from 600MHz to 6000MHz
- Covers Cellular, CBRS, LTE-LAA & Wi-Fi/WiMAX bands
- Light Weight, Super Thin Antenna
- High Gain, Low VSWR
- Low PIM performance
- Corrosion resistant and Anti-aging material
- RoHS Complaint
- In Stock to low lead time delivery



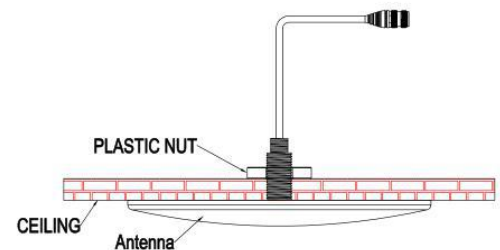
**ELECTRICAL SPECIFICATIONS:**

Frequency Bands	617-960	1427-1518	1695-2180	2300-2700	3300-3800	4900-6000
Gain	2 dBi	2 dBi	4 dBi	4 dBi	4 dBi	4 dBi
VSWR	≤ 1.8	≤ 1.5	≤ 1.5	≤ 1.5	≤ 1.8	≤ 1.8
Polarization	Horizontal					
Horizontal Beamwidth	360°					
Input Impedance	50 Ohms					
Max Power	50 Watts					
Lightning Protection	DC Ground					
Intermodulation (PIM - 3 <sup>rd</sup> )	-155 dBc (Typ) (2 Tones +43 dBm)					

**MECHANICAL SPECIFICATIONS:**

Connectors	4.3-10(F) (Standard)
Environmental Class	IP65
Mounting	Panel Mount
Dimension	Ø8.375" x 0.725"
Weight	1.00 lb
Reflector Material	Aluminum
Radome Material	ABS
Radome Color	White (Standard)
Operating Temperature	-40°C to +65°C

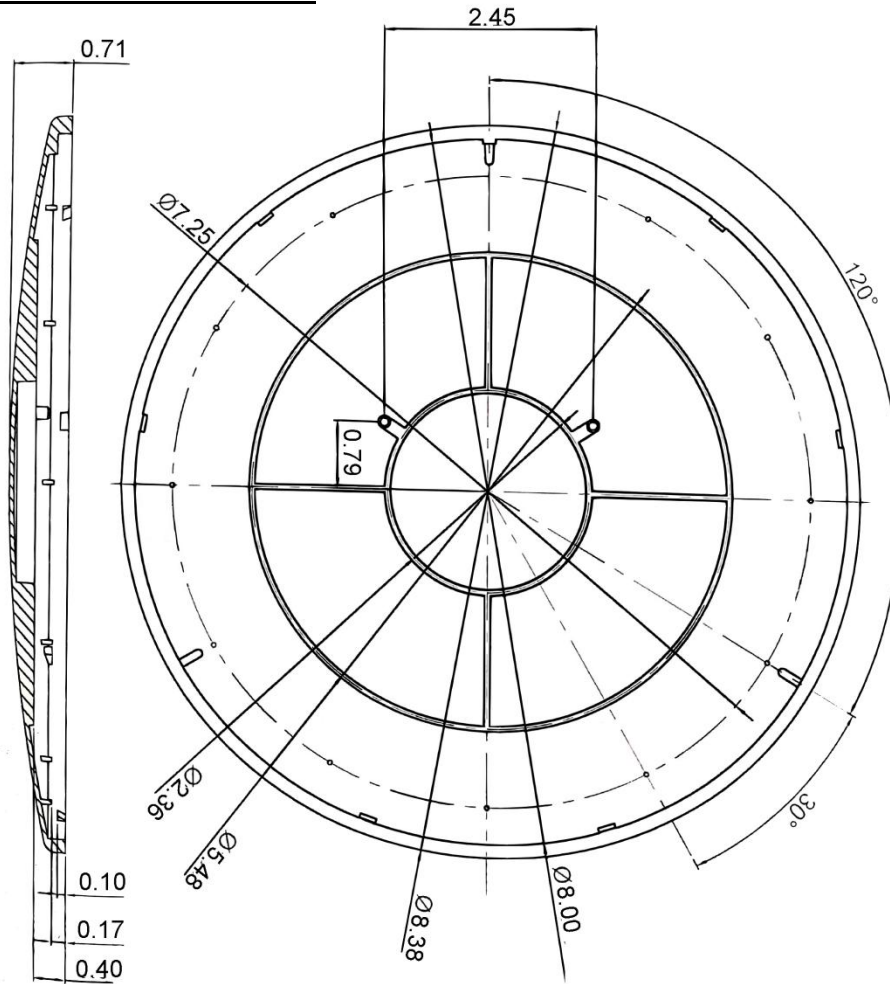
**Installation Rendering**



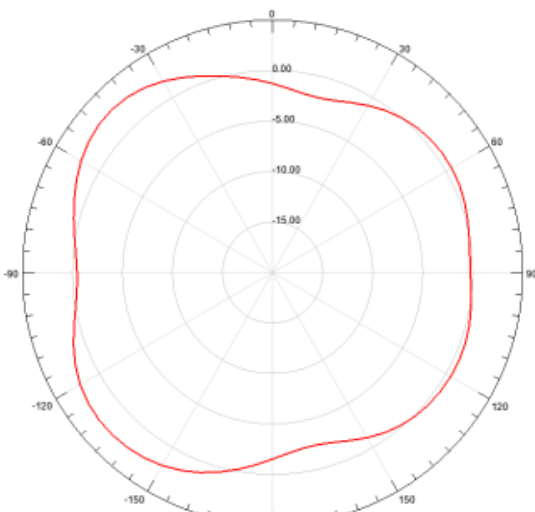
**ORDERING INFO:**

4.3-10 Conn: 751-600-6000-D43  
 Type-N Conn: 751-600-6000-N

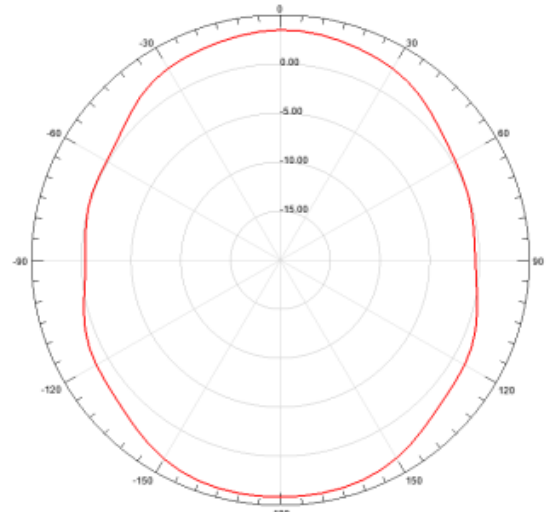
**Dimensions for 751-600-6000-D43**



**Radiation Patterns**



**H-Plane**



**E-Plane**

Please contact our sales department at 737-200-7090 or [sales@InnowaveRF.com](mailto:sales@InnowaveRF.com) for any custom requirements.

© Innowave RF, LLC. All Rights Reserved. Specs can change without notice. Drawings are for reference purpose only.