

**Innovation in Every Wave**

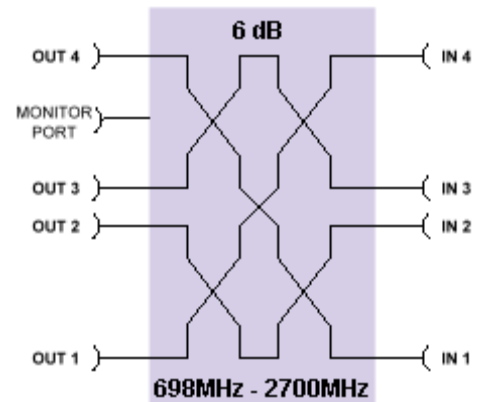
**231M-600-2700** is 4x4, 6dB Hybrid Combiner that can be used to combine or split any 4 signals in the 600MHz - 2700MHz range. The combined signals will appear at all the output ports. These are symmetric devices so Inputs and Outputs can be used interchangeably. A Monitoring Port is also available to check on the quality of the Output Signal. It can also be used to split one input signal into 4 output ports. The unused port must be always terminated with a 50Ω Load. These hybrid combiners can be used over a wide range of temperature and environmental conditions.

**FEATURES:**

- Splits or Combines 4 signals between 600 – 2700MHz
- Best-in-class Isolation between the 4 ports
- Monitoring Port - SMA (Female)
- Very low Insertion Loss
- Low-PIM & High Power Handling
- RoHS Complaint
- Weatherproof for Outdoor use
- In Stock & Available Immediately
- Ease of Mounting with mounting holes / brackets
- Available in different Connector configurations


**ELECTRICAL SPECIFICATIONS:**

Frequency Range:	600MHz – 2700MHz
Coupling Loss:	6.20 dB ±0.80dB
Isolation:	30.00 dB
VSWR:	1.22
Impedance:	50 Ohms
Input Power:	500 Watts (Avg) / Port
Intermodulation (PIM - 3rd):	-163 dBc (2Tones +43dBm)
DC Path:	IN PORT1 → OUT PORT4 IN PORT2 → OUT PORT2 IN PORT3 → OUT PORT3 IN PORT4 → OUT PORT1 (Max 6.5A AISG2 Conform)


**MECHANICAL SPECIFICATIONS:**

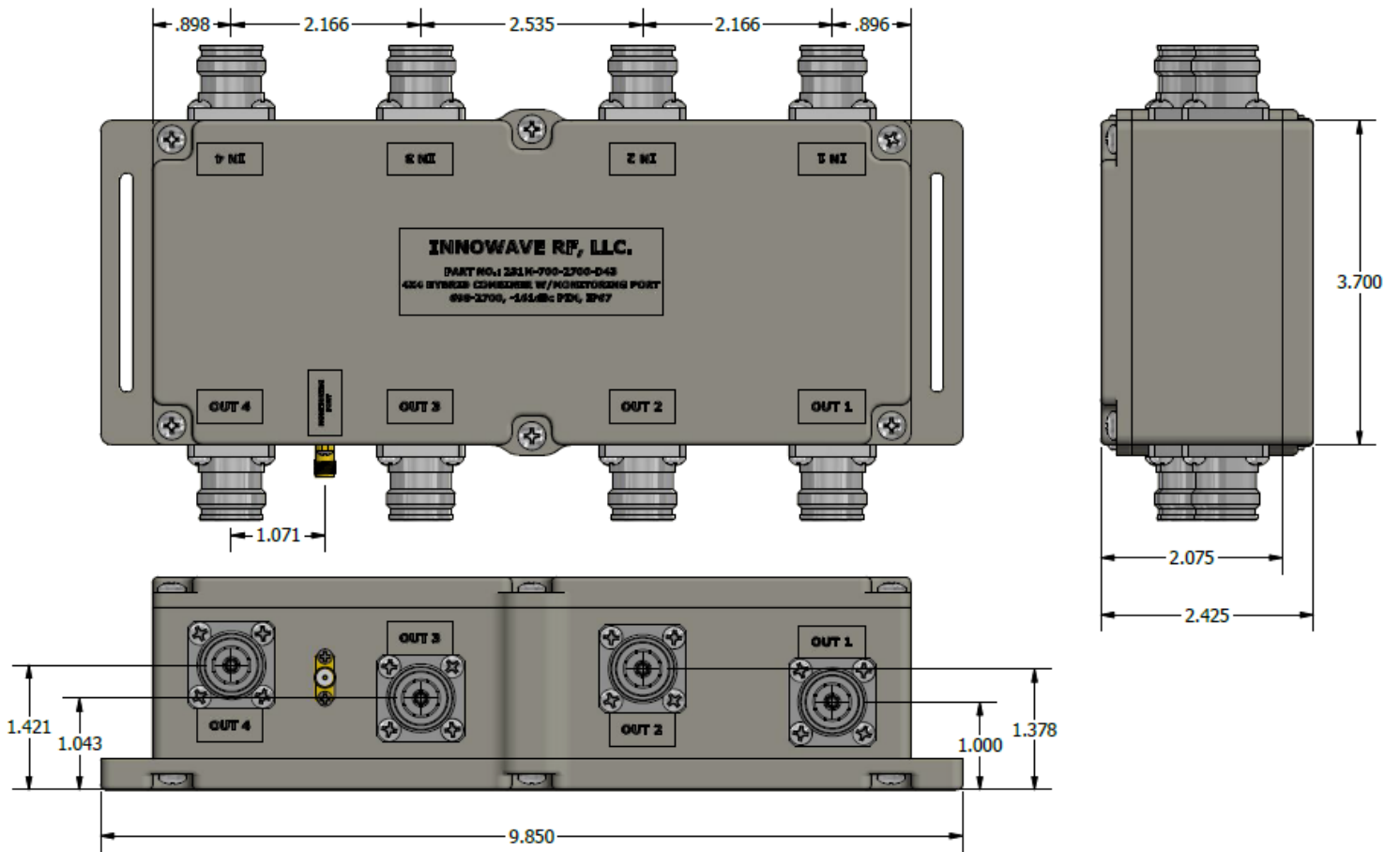
Connectors:	Type-N (N) / DIN (D) / Nex10 (X10) Mini-DIN (MD) / 4.3-10 (D43)
Monitoring Port:	SMA (Female)
Housing Finish:	Aluminum Body
Mounting Method:	Mounting Kit
Temperature Range:	-20°C to 60°C
Weight:	3.50 lbs
Humidity:	5% - 95%
Environment:	IP67

**ORDERING INFO:**
**Connector Configuration:**

Part#: 231M-600-2700-\*

\* - See Connector Options

**Dimensions for 231M-600-2700-D43**



Please contact our sales department at 737-200-7090 or [sales@InnowaveRF.com](mailto:sales@InnowaveRF.com) for any custom requirements.

© Innowave RF, LLC. All Rights Reserved. Specs can change without notice. Drawings are for reference purpose only.