

Innovation in Every Wave

221-600-4000 is a 4-Port, 3dB Hybrid Coupler that can be used to combine any 2 signals in 600MHz - 4000MHz range, including the CBRS and C-Band. The combined signal will appear at both the output ports. These are symmetric devices so inputs and outputs can be used interchangeably. It can also be used to split one input signal into 2 output ports. The unused port must be always terminated with a 50Ω Load. These hybrid couplers can be used over a wide range of temperature and environmental conditions.

FEATURES:

- Combines 2 signals in the 600MHz - 4000MHz
- Cover **600MHz (Band 71), CBRS and C-Band**
- Best-in-class Isolation between the 2 signals
- Very low Insertion Loss
- Available in DIN, Mini-DIN, 4.3-10 or Nex10 Connectors
- Low-PIM & High Power Handling
- Ease of Mounting with mounting holes
- Weatherproof for Outdoor use
- In Stock and Available Immediately



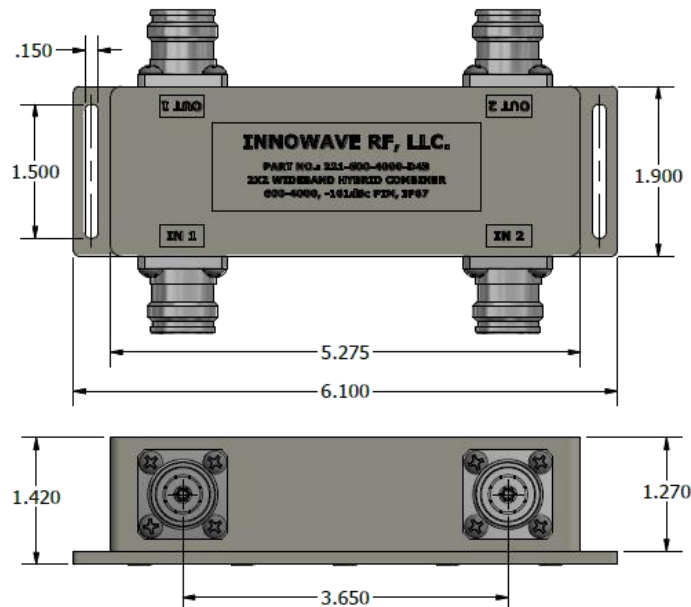
ELECTRICAL SPECIFICATIONS:

Frequency Range:	600MHz - 4000MHz
Coupling Loss:	3.10 dB ±0.75dB
Isolation:	23.00 dB
VSWR:	1.25
Impedance:	50 Ohms
Input Power:	200 Watts (Avg) / port
Intermodulation (PIM - 3 rd):	-161dBc (2 Tones +43dBm)

MECHANICAL SPECIFICATIONS:

Connectors:	DIN (D) / Mini-DIN (MD) 4.3-10 (D43) / Nex10 (X10)
Housing Finish:	Aluminum Body
Mounting Method:	Mounting Holes
Temperature Range:	-30°C to 65°C
Weight:	1.75 lbs
Humidity:	5% - 95%
Environment:	IP67

Dimensions for 221-600-4000-D43



Please contact our sales department at 737-200-7090 or sales@InnowaveRF.com for any custom requirements.

© Innowave RF, LLC. All Rights Reserved. Specs can change without notice. Drawings are for reference purpose only.