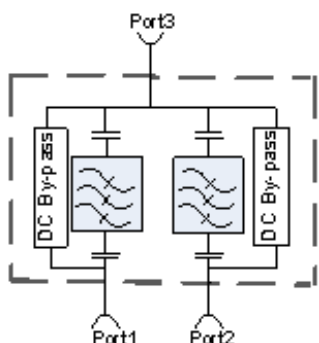


FEATURES:

- Splits or combines the **PCS/ AWS-1 / AWS-3 Bands** (1695MHz-2180MHz) and **WCS/BRS Band** (2300MHz-2700MHz)
- **Compact Design** with **Single/Stacked/Twin/Quad** combiner model for tight space applications
- Best-in-class Isolation between the 2 signals
- Very low Insertion Loss with superior out of band rejections
- Low-PIM with High Power Handling
- Available in 7/16 DIN, Mini-DIN and 4.3-10 Connectors
- **RoHS** Complaint, Weatherproof / Outdoor unit
- In Stock to low lead time delivery


Block Diagram for 902C-1940-2490 (x2)

ELECTRICAL SPECIFICATIONS:

Frequency Bands	PCS/AWS-1/AWS-3 Bands 1695MHz-2180MHz	WCS/BRS Band 2300MHz-2700MHz
Passband Insertion Loss	0.20dB	
Isolation	≥40dB @ 2300MHz-2700MHz	≥40dB @ 1695MHz-2180MHz
Return Loss	21dB	
Impedance	50 Ohms	
Input Power	100 Watts (Avg); 250 Watts (Peak)	
DC Pass Current	4000 mA (Typ)	
Lightning Protection	8/20S 10kA Pulse (IEC 801-5)	
Intermodulation (PIM - 3 rd)	-161 dBc (2 Tones +43 dBm)	

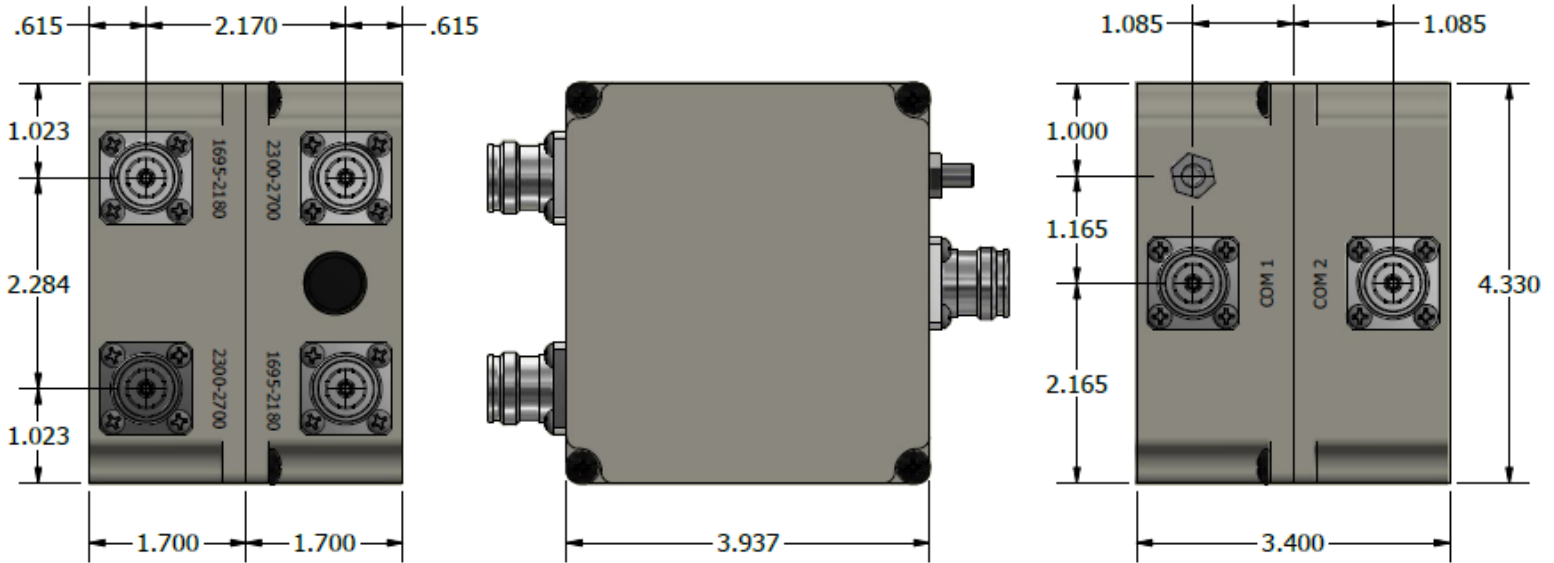
MECHANICAL SPECIFICATIONS:

Connectors:	7/16 DIN (D) / Mini-DIN (MD) 4.3-10 (D43) / NEX-10 (X10)
Mounting Method:	Mounting Panel
Temperature Range:	-20°C to 70°C
Weight:	3.50 lbs
Relative Humidity:	5% - 95%
Environment:	IP67

***** ORDERING INFO:**
Stacked Model: Part#: 902C-1940-2490-*

* - Connector Option

Dimensions for 902C-1940-2490 (Stacked Model)



Please contact our sales department at 737-200-7090 or sales@InnowaveRF.com for any custom requirements.

© Innowave RF, LLC. All Rights Reserved. Specs can change without notice. Drawings are for reference purpose only.