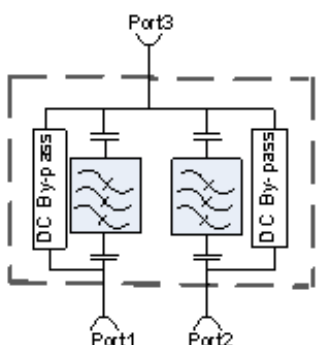


**FEATURES:**

- Splits or combines the **700LTE Band** and **850-GSM /850-CDMA Band**
- **Compact Design** with **Single/Stacked/Twin/Quad** combiner model available for tight space applications
- Best-in-class Isolation between the 2 signals
- Very low Insertion Loss with superior out of band rejections
- Low-PIM with High Power Handling
- Available in 7/16 DIN, Mini-DIN, 4.3-10 and Nex10 Connectors
- *RoHS* Complaint, Weatherproof / Outdoor unit
- In Stock to low lead time delivery


**Block Diagram for 901C-742-852**

**ELECTRICAL SPECIFICATIONS:**

Frequency Bands	700 LTE 698 MHz - 787 MHz	850 GSM / CDMA 815 MHz - 896 MHz
Passband Insertion Loss	0.20dB	
Isolation	≥40dB @ 815MHz-896MHz	≥40dB @ 698MHz-787MHz
Return Loss	21dB	
Impedance	50 Ohms	
Input Power	100 Watts (Avg); 250 Watts (Peak)	
DC Pass Current	4000 mA (Typ)	
Lightning Protection	8/20S 10kA Pulse (IEC 801-5)	
Intermodulation (PIM - 3 <sup>rd</sup> )	-161 dBc (2 Tones +43 dBm)	

**MECHANICAL SPECIFICATIONS:**

Connectors: 7/16 DIN (D) / Mini-DIN (MD)  
4.3-10 (D43) / NEX-10 (X10)

Mounting Method: Mounting Panel

Temperature Range: -20°C to 70°C

Weight: 2.00 lbs

Relative Humidity: 5% - 95%

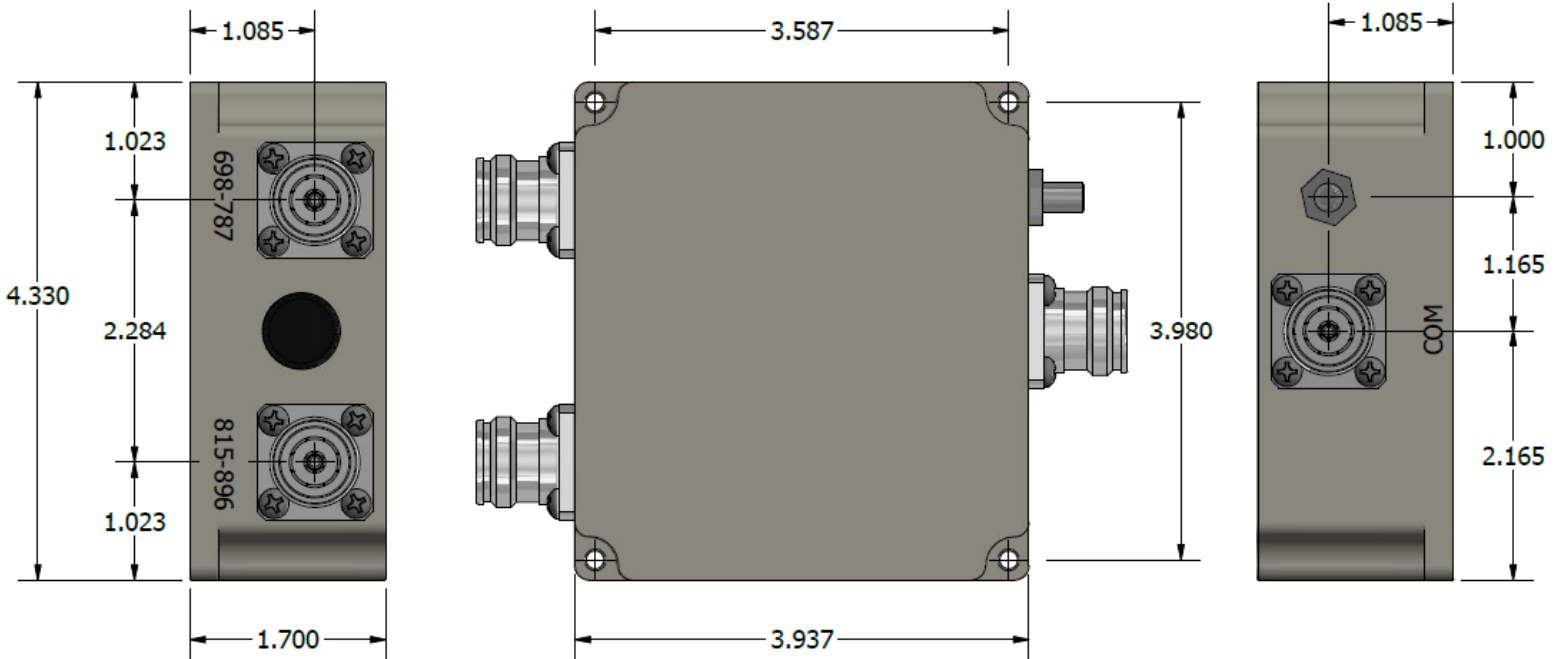
Environment: IP67

**\*\*\* ORDERING INFO:**

**Stacked Model:** Part#: 901C-742-852-\*

\* - Connector Option

**Dimensions for 901C-742-852-D43 (Single Model)**



Please contact our sales department at 737-200-7090 or [sales@InnowaveRF.com](mailto:sales@InnowaveRF.com) for any custom requirements.

© Innowave RF, LLC. All Rights Reserved. Specs can change without notice. Drawings are for reference purpose only.