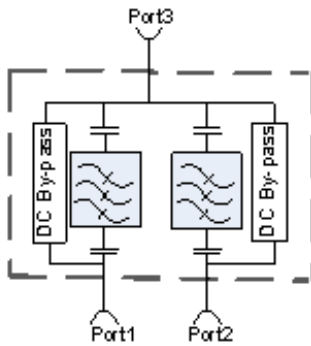


FEATURES:

- Splits or combines the **700LTE Band** and **850-GSM /850-CDMA Band**
- **Compact Design** with **Single/Stacked/Twin/Quad** combiner model available for tight space applications
- Best-in-class Isolation between the 2 signals
- Very low Insertion Loss with superior out of band rejections
- Low-PIM with High Power Handling
- Available in 7/16 DIN, Mini-DIN, 4.3-10 and Nex10 Connectors
- *RoHS* Complaint, Weatherproof / Outdoor unit
- In Stock to low lead time delivery



Block Diagram for 901C-742-852



ELECTRICAL SPECIFICATIONS:

| | | |
|--|-----------------------------------|-------------------------------------|
| Frequency Bands | 700 LTE 698 MHz - 787 MHz | 850 GSM / CDMA 815 MHz - 896 MHz |
| Passband Insertion Loss | 0.20dB | |
| Isolation | ≥40dB @ 815MHz-896MHz | ≥40dB @ 698MHz-787MHz |
| Return Loss | 21dB | |
| Impedance | 50 Ohms | |
| Input Power | 100 Watts (Avg); 250 Watts (Peak) | |
| DC Pass Current | 4000 mA (Typ) | |
| Lightning Protection | 8/20S 10kA Pulse (IEC 801-5) | |
| Intermodulation (PIM - 3 rd) | -161 dBc (2 Tones +43 dBm) | |

MECHANICAL SPECIFICATIONS:

Connectors: 7/16 DIN (D) / Mini-DIN (MD)
4.3-10 (D43) / NEX-10 (X10)

Mounting Method: Mounting Panel

Temperature Range: -20°C to 70°C

Weight: 2.00 lbs

Relative Humidity: 5% - 95%

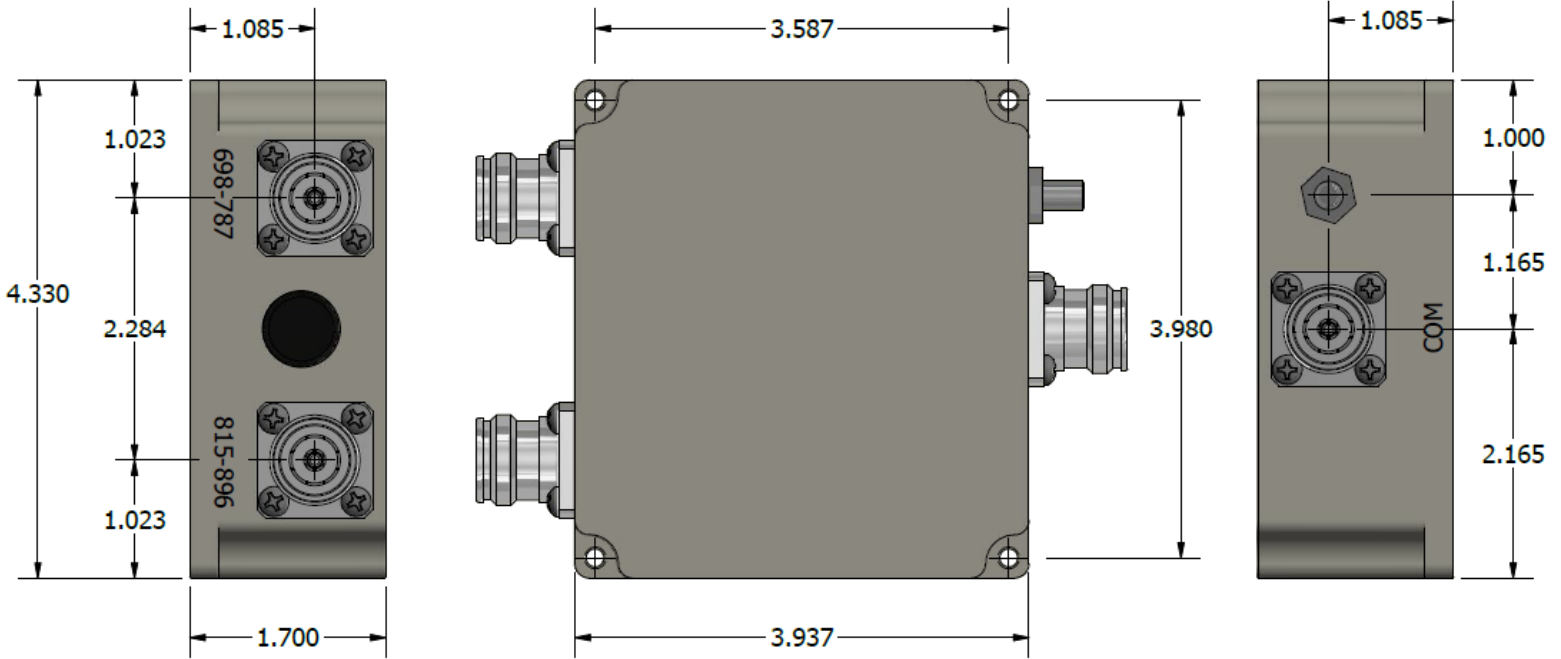
Environment: IP67

***** ORDERING INFO:**

Stacked Model: Part#: 901C-742-852-*

* - Connector Option

Dimensions for 901C-742-852-D43 (Single Model)



Please contact our sales department at 737-200-7090 or sales@InnowaveRF.com for any custom requirements.

© Innowave RF, LLC. All Rights Reserved. Specs can change without notice. Drawings are for reference purpose only.