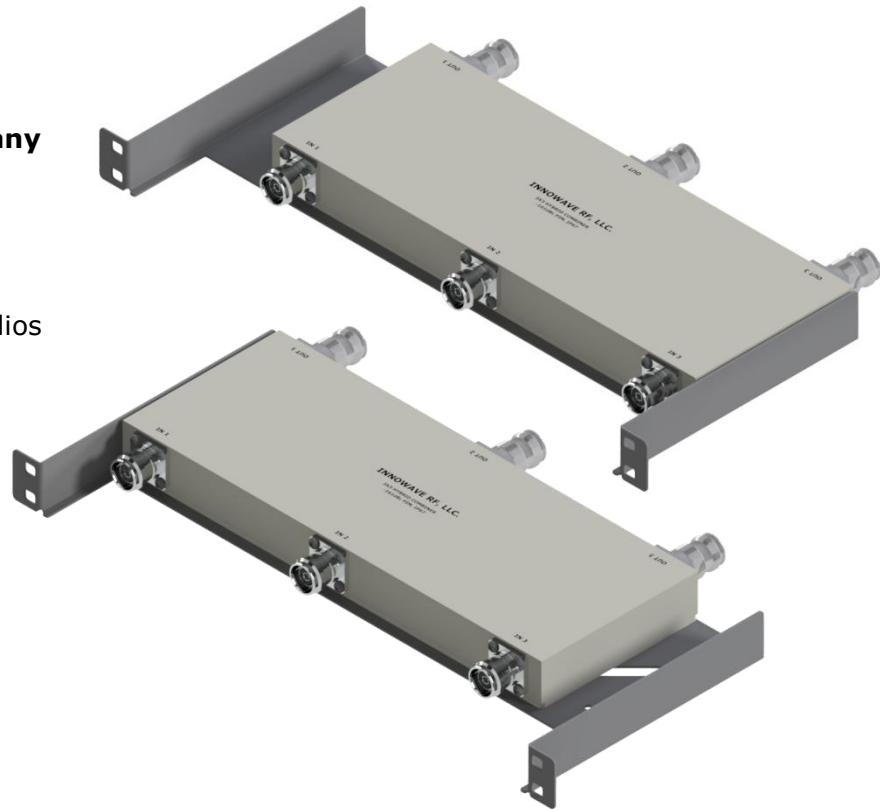


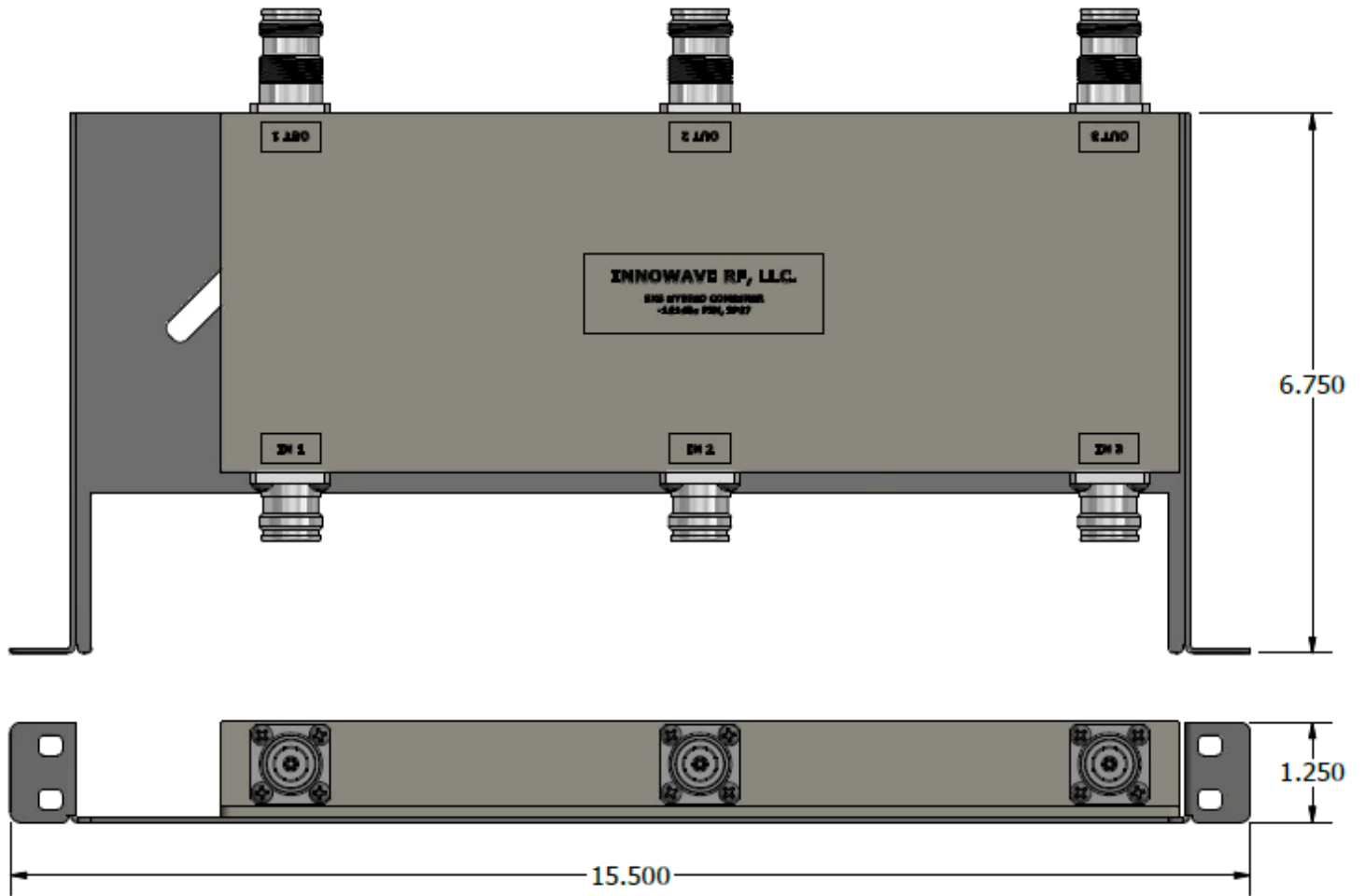
FEATURES:

- Hybrid Module to **splits or combines any three In-Band frequency bands** for DRAN systems
- Covers all bands between **700MHz – 2700MHz**
- Ideal for Low-Power and Mid-Power Radios
- 25dB Isolation
- Low-PIM and Low Insertion Loss
- Interchangeable Modules for easy upgrades and Troubleshooting
- *RoHS* Complaint
- Rugged, Weatherproof IP67 unit



ELECTRICAL SPECIFICATIONS:

Frequency Range	700MHz – 2700MHz (700LTE, 850GSM, 850CDMA, PCS, AWS-1, AWS-3, WCS, BRS)
Passband Insertion Loss	5.00 dB ± 1.25dB
Isolation	25 dB
VSWR	1.20
Impedance	50 Ohms
Input Power	500 Watts/Port (Avg)
Intermodulation (PIM - 3 rd)	-163 dBc (2 Tones +43 dBm)
Connectors	4.3-10 / Nex10
Temperature Range	-20°C to 60°C
Environment	IP67 (Outdoor)
Relative Humidity	100%
Weight	7.00 lbs
Dimensions	15.500" x 6.750" x 1.250"



Please contact our sales department at 737-200-7090 or sales@InnowaveRF.com for any custom requirements.

© Innowave RF, LLC. All Rights Reserved. Specs can change without notice. Drawings are for reference purpose only.