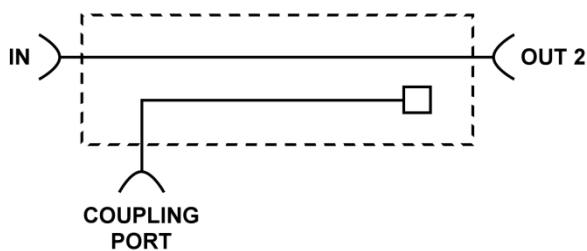


4XX-700-2700 Series of Directional Couplers are Low-PIM devices that operate from 698MHz – 2700MHz. It has excellent directivity and coupling flatness across the entire band. It also exhibits a very low insertion loss along with outstanding VSWR at all three ports. These units are weatherproof and suitable for extreme conditions. Available in different connector options.

FEATURES:

- Operates from 698 MHz to 2700 MHz
- Low Insertion Loss and Low VSWR
- Excellent PIM rating, -163dBc
- RoHS Compliant
- Weatherproof / Outdoor unit
- In Stock to low lead time delivery
- Superior Construction and High Power Handling
- Available in DIN, Mini-DIN, 4.3-10 or Type-N Connectors


Block Diagram for Directional Couplers

PART ORDERING INFO:
4XX-700-2700-*

XX - Coupling Value
(Ex: 6dB -- 406; 30dB -- 430)

***** - Connector Option

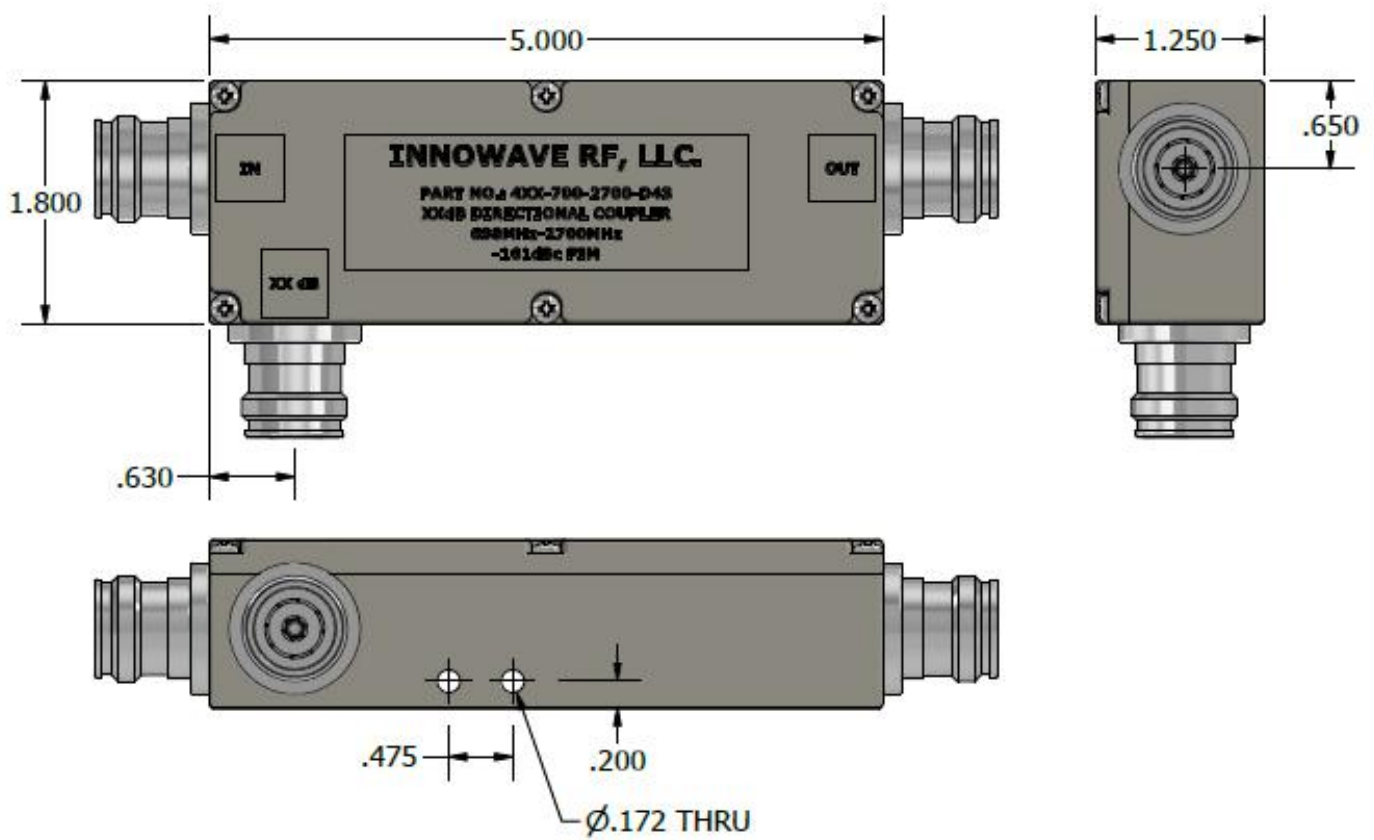
ELECTRICAL SPECIFICATIONS:

Coupling Value	5dB	6dB	7dB	8dB	10dB	12dB	15dB	20dB	25dB	30dB	35dB	40dB
Frequency Bands	698 MHz - 2700 MHz											
Frequency Sensitivity(dB)	±0.80				±1.00			±1.10		±1.25		
Insertion Loss (dB)	≤2.1	≤1.6	≤1.3	≤1.1	≤0.8	≤0.6	≤0.4	≤0.3	≤0.2	≤0.2	≤0.2	≤0.2
Return Loss	-22 dB											
Impedance	50 Ω											
Isolation (dB)	≥ 25	≥ 26	≥ 27	≥ 28	≥ 30	≥ 32	≥ 35	≥ 40	≥ 45	≥ 50	≥ 55	≥ 60
Intermodulation (PIM-3 rd)	-163 dBc (2 Tones +43 dBm)											
Input Power	400 Watts (Avg); 1000 Watts (Peak)											

MECHANICAL SPECIFICATIONS:

Connectors:	7/16 DIN(D) / Mini-DIN(MD) / 4.3-10(D43) / Nex10(X10) / Type-N(N)
Housing Finish:	Aluminum Body
Mounting Method:	Mounting Panel
Temperature Range:	-25°C to 75°C
Weight:	0.80 lb
Relative Humidity:	5% - 95%
Environment:	IP67

Dimensions for 4XX-700-2700-D43



Please contact our sales department at 737-200-7090 or sales@InnowaveRF.com for any custom requirements.

© Innowave RF, LLC. All Rights Reserved. Specs can change without notice. Drawings are for reference purpose only.