

Innovation in Every Wave

231-555-2700 is 4x4, 6dB Hybrid Combiner that can be used to combine or split any 4 signals in the 555MHz - 2700MHz range. The combined signals will appear at all the output ports. These are symmetric devices so Inputs and Outputs can be used interchangeably. It can also be used to split one input signal into 4 output ports. The unused port must be always terminated with a 50Ω Load. These hybrid combiners can be used over a wide range of temperature and environmental conditions.

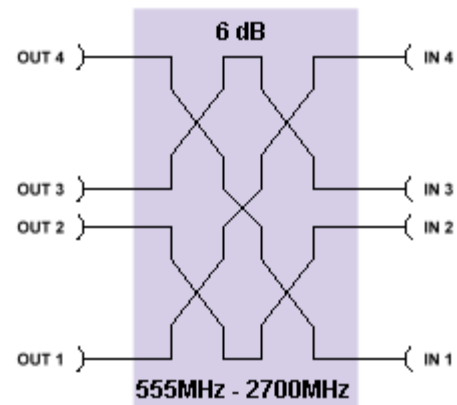
FEATURES:

- Splits or Combines 4 signals between 555 – 2700MHz
- Designed to include 600MHz (Band71)
- Best-in-class Isolation between the 4 ports
- Very low Insertion Loss
- Low-PIM & High Power Handling
- RoHS Complaint
- Weatherproof for Outdoor use
- In Stock & Available Immediately
- Ease of Mounting with mounting holes / brackets
- Available in different Connector configurations



ELECTRICAL SPECIFICATIONS:

Frequency Range:	555MHz – 2700MHz
Coupling Loss:	6.35 dB ±0.80dB
Isolation:	30.00 dB
VSWR:	1.22
Impedance:	50 Ohms
Input Power:	500 Watts (Avg) / Port
Intermodulation (PIM - 3rd):	-161 dBc (2Tones +43dBm)
DC Path:	IN PORT1 → OUT PORT4 IN PORT2 → OUT PORT2 IN PORT3 → OUT PORT3 IN PORT4 → OUT PORT1 (Max 6.5A AISG2 Conform)



MECHANICAL SPECIFICATIONS:

Connectors:	DIN (D) / Nex10 (X10) Mini-DIN (MD) / 4.3-10 (D43)
Housing Finish:	Aluminum Body
Mounting Method:	Mounting Kit
Temperature Range:	-20°C to 60°C
Weight:	3.50 lbs
Humidity:	5% - 95%
Environment:	IP67

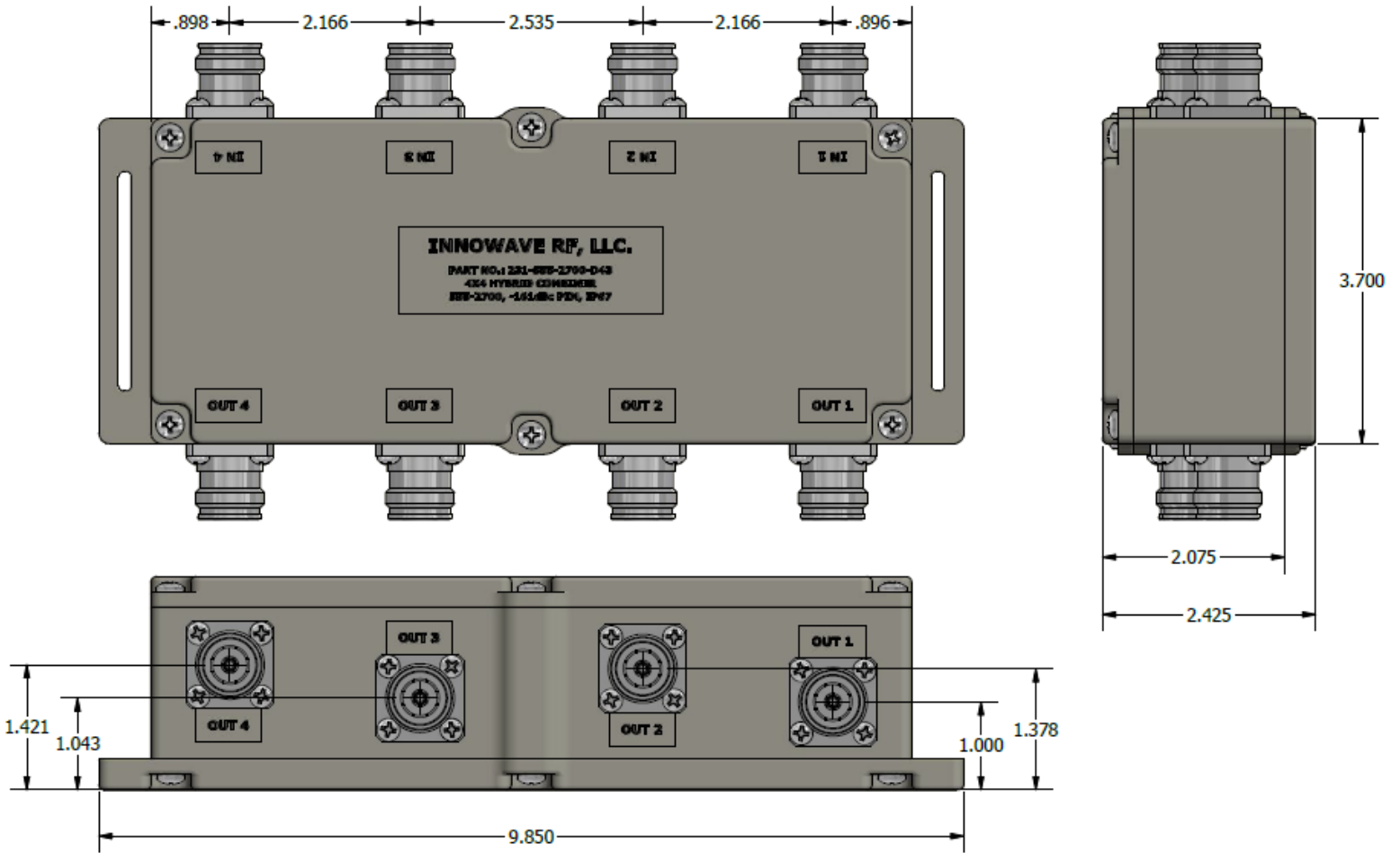
ORDERING INFO:

Connector Configuration:

Part#: 231-555-2700-*

* - See Connector Options

Dimensions for 231-555-2700-D43



Please contact our sales department at 737-200-7090 or sales@InnowaveRF.com for any custom requirements.

© Innowave RF, LLC. All Rights Reserved. Specs can change without notice. Drawings are for reference purpose only.