

Innovation in Every Wave

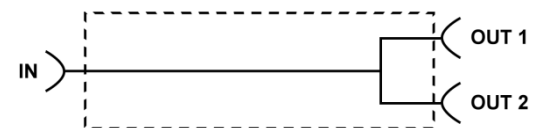
112B-600-3800 is a Low-PIM 2-Way In-Line Reactive Power Splitter, designed to evenly split high power signals between 600MHz and 3800MHz. These splitters cover all the traditional Cellular frequencies, including the CBRS Bands. This unique In-Line structure is Compact and can be used without any bulky inter-connections or undue cable stress. They are rated to be used in extreme weather and environmental conditions. It also has a very low Insertion Loss with an outstanding VSWR at all three ports. Available with different connector options.

FEATURES:

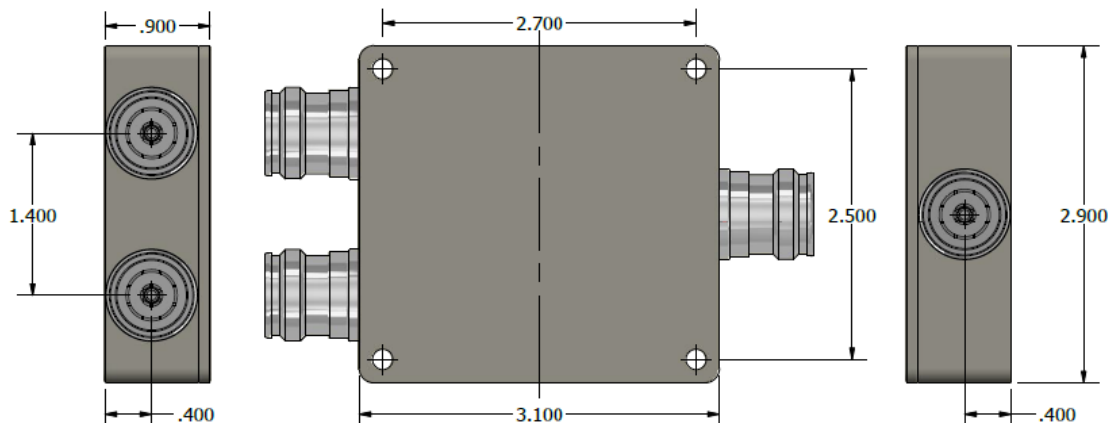
- Wide bandwidth 600 MHz – 3800 MHz to include CBRS band
- In-Line Reactive Splitter
- Low Insertion Loss and low VSWR
- Low PIM, -161dBc
- RoHS Compliant
- Weatherproof / Outdoor unit
- In Stock to low lead time delivery
- Superior Construction and High Power Handling


SPECIFICATIONS:

Frequency Range:	600 MHz – 3800 MHz
Passband Insertion Loss:	0.35 dB (Over the theoretical loss of 3 dB)
VSWR:	≤ 1.30 @ 600-960 MHz ≤ 1.25 @ 960-2700 MHz ≤ 1.30 @ 2700-3800 MHz
Power Handling:	300 W (Avg)
Impedance:	50Ω
PIM – 3 rd :	-161 dBc (2 Tones +43 dBm)
Temperature Range:	-30°C to 75°C
Weight:	0.75 lb
Housing Finish:	Aluminum Body
Mounting Method:	Mounting Holes
Humidity:	5% - 95%
Environment:	IP67

Block Diagram for 112B-600-3800

ORDERING INFO:

112B-600-3800-D	--- 7/16 DIN Connector
112B-600-3800-MD	--- Mini-DIN Connector
112B-600-3800-D43	--- 4.3-10 Connector
112B-600-3800-X10	--- Nex10 Connector

Dimensions for 112B-600-3800


Please contact our sales department at 737-200-7090 or sales@InnowaveRF.com for any custom requirements.

© Innowave RF, LLC. All Rights Reserved. Specs can change without notice. Drawings are for reference purpose only.