

112-700-2700 is a Low-PIM 2-Way Reactive Power Splitter, designed to evenly split high power signals between 698MHz and 2700MHz. Because of their rugged construction, they are indestructible and can be used in extreme weather and environmental conditions. It also has a very low Insertion Loss with an outstanding VSWR at all three ports. Available with different connector options.

FEATURES:

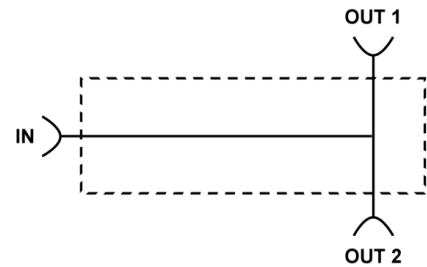
- Wide bandwidth 698 MHz – 2700 MHz
- Low Insertion Loss and low VSWR
- Low PIM, -163dBc
- RoHS Compliant
- Weatherproof / Outdoor unit
- In Stock to low lead time delivery
- Superior Construction and High Power Handling
- Available in DIN, Mini-DIN, 4.3-10, Nex10 or Type-N Connectors



SPECIFICATIONS:

Frequency Range:	698 MHz – 2700 MHz
Passband Insertion Loss:	0.20 dB (Over the theoretical loss of 3 dB)
VSWR:	≤ 1.20
Power Handling:	500 W (Avg)
Impedance:	50Ω
PIM – 3 rd :	-163 dBc (2 Tones +43 dBm)
Temperature Range:	-30°C to 75°C
Weight:	0.80 lb
Housing Finish:	Aluminum Body
Mounting Method:	Mounting Holes
Humidity:	5% - 95%
Environment:	IP67

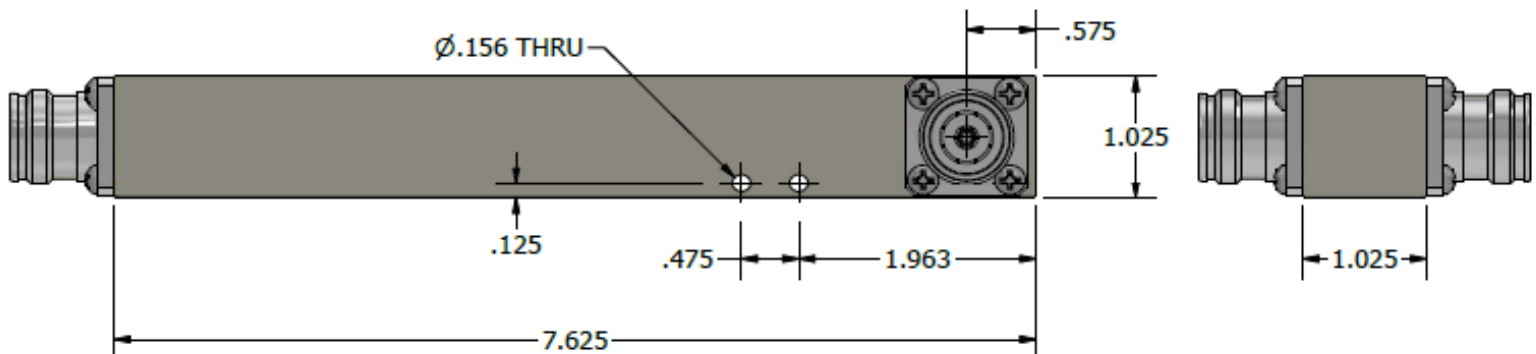
Block Diagram for 112-700-2700



ORDERING INFO:

112-700-2700-N	--- Type-N Connector
112-700-2700-D	--- 7/16 DIN Connector
112-700-2700-MD	--- Mini-DIN Connector
112-700-2700-D43	--- 4.3-10 Connector
112-700-2700-X10	--- Nex10 Connector

Dimensions for 112-700-2700



Please contact our sales department at 737-200-7090 or sales@InnowaveRF.com for any custom requirements.

© Innowave RF, LLC. All Rights Reserved. Specs can change without notice. Drawings are for reference purpose only.