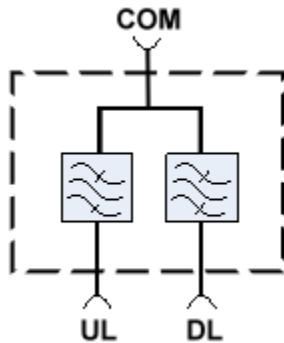


**FEATURES:**

- Splits or combines the Uplink (703-748) and Downlink (758-803) frequencies for **700MHz LTE Asia –Pacific Telecommunity (APT) Band**
- Best-in-class Isolation between the 2 signals
- Very low Insertion Loss with superior out of band rejections
- Low-PIM with High Power Handling
- -161dBc PIM and DC By-Pass available on request
- Available in Type-N, 7/16 DIN, Mini-DIN and 4.3-10 Connectors
- Weatherproof / Outdoor unit (921W Series) also available
- RoHS Complaint
- In Stock to low lead time delivery

**Block Diagram for 921-726-781**



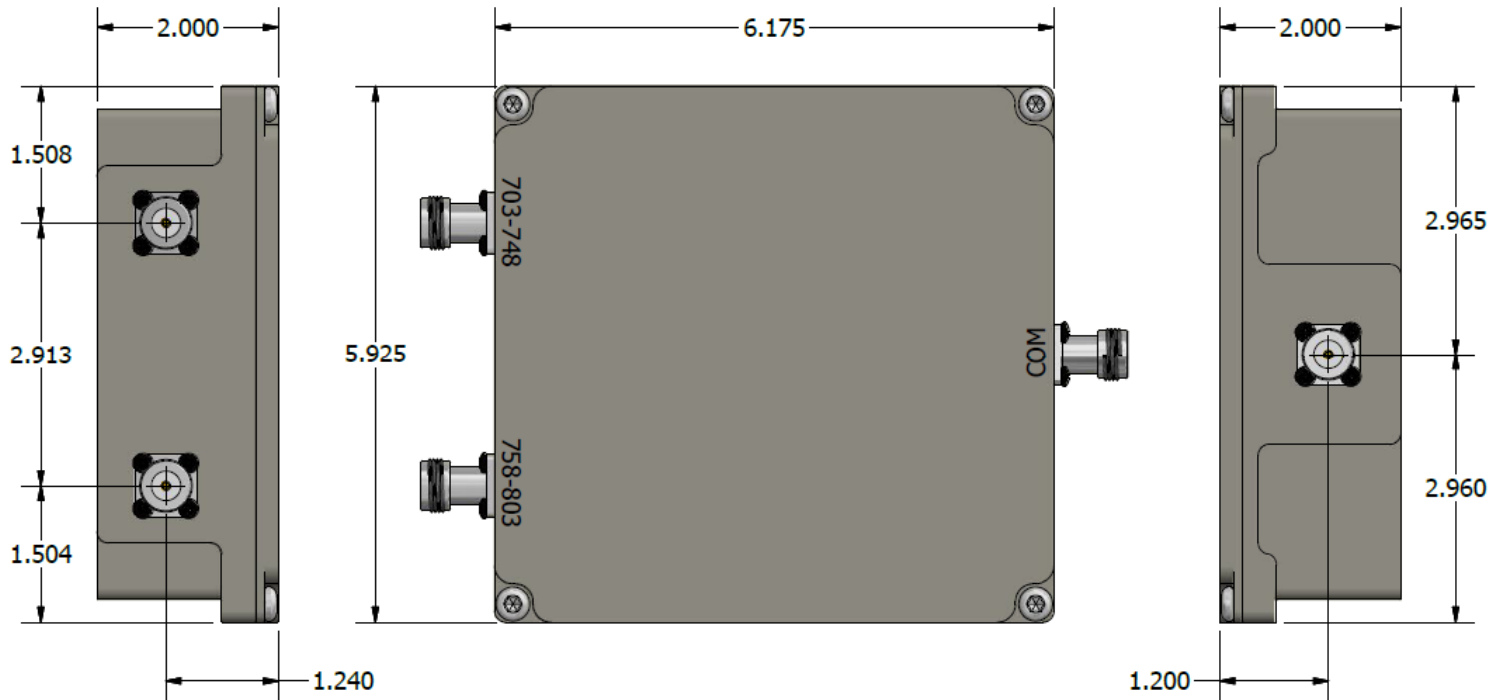
**ELECTRICAL SPECIFICATIONS:**

Frequency Bands	Downlink Freq 758MHz - 803MHz	Uplink Freq 703MHz - 748MHz
Passband Insertion Loss	0.35 dB	
Isolation	75dB @ 703MHz - 748MHz	75dB @ 758MHz - 803MHz
Return Loss	22 dB	
Impedance	50 Ohms	
DC Pass Current	4000 mA (Typ) (Available on Request)	
Lightning Protection	8/20S 10kA Pulse (IEC 801-5) (Available on Request)	
Input Power	250 Watts (Avg); 500 Watts (Peak)	
Intermodulation (PIM - 3 <sup>rd</sup> )	-157 dBc (2 Tones +43 dBm)	

**MECHANICAL SPECIFICATIONS:**

Connectors:	7/16 DIN (D) / Mini-DIN (MD) / 4.3-10 (D43) / Type-N (N)	
Housing Finish:	Aluminum Body	
Mounting Method:	Mounting Bracket	
Temperature Range:	-35°C to 75°C	<p><b>*** ORDERING INFO:</b></p> <p><b>Indoor Model:</b> Part#: 921-726-781-*</p> <p><b>Outdoor Model:</b> Part#: 921W-726-781-*</p> <p>* - Connector Option</p>
Relative Humidity:	5% - 95%	
Environment:	IP65 (Indoor) IP67 (Outdoor)	

**Dimensions for 921-726-781-N**



Please contact our sales department at 737-200-7090 or [sales@InnowaveRF.com](mailto:sales@InnowaveRF.com) for any custom requirements.

© Innowave RF, LLC. All Rights Reserved. Specs can change without notice. Drawings are for reference purpose only.