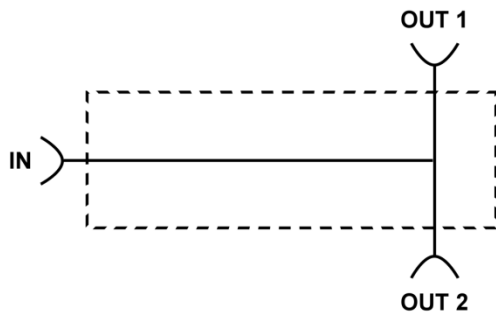


112A-700-2700 is a Low-PIM Reactive 2-Way Power Splitter, designed to evenly split high power signals between 698MHz and 2700MHz. Because of their rugged construction and circular construction, they are indestructible and can be used in extreme weather and environmental conditions. It also has a very low Insertion Loss with an outstanding VSWR at all three ports. Available with different connector options.

FEATURES:

- Wide bandwidth 698 MHz – 2700 MHz
- Low Insertion Loss and low VSWR
- Low PIM, -163dBc
- RoHS Compliant
- Weatherproof / Outdoor unit
- In Stock to low lead time delivery
- Superior Construction and High Power Handling
- Available in DIN, Mini-DIN, 4.3-10 or Type-N Connectors


Block Diagram for 112A-700-2700

ORDERING INFO:

112A-700-2700-N	--- Type-N Connector
112A-700-2700-D	--- 7/16 DIN Connector
112A-700-2700-MD	--- Mini-DIN Connector
112A-700-2700-D43	--- 4.3-10 Connector

SPECIFICATIONS:

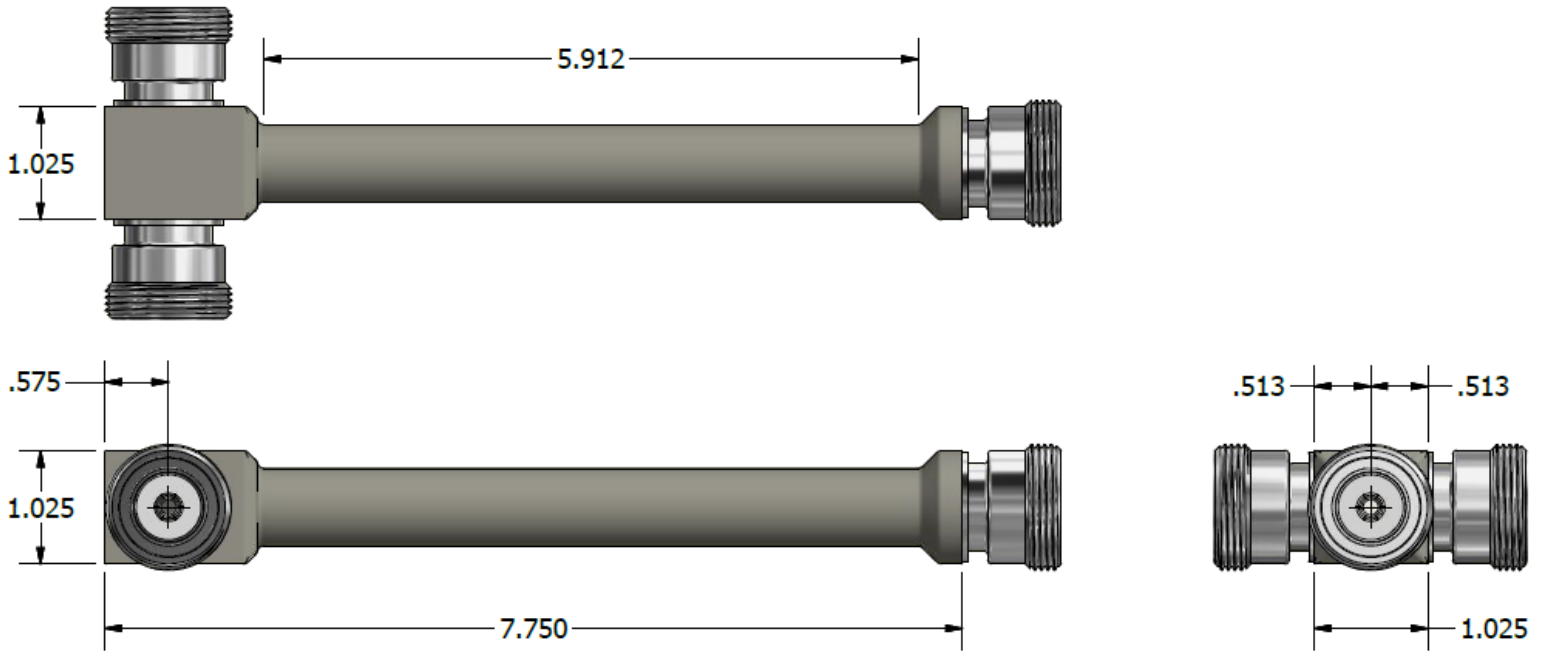
Frequency Range:	698 MHz – 2700 MHz
Passband Insertion Loss:	0.20 dB (Over the theoretical loss of 3 dB)
VSWR:	≤ 1.20
Power Handling:	500 W (Avg)
Impedance:	50Ω
PIM – 3 rd :	-163 dBc (2 Tones +43 dBm)
Temperature Range:	-30°C to 75°C
Housing Finish:	Aluminum Body
Mounting Method:	Mounting Holes
Humidity:	5% - 95%
Environment:	IP67

APPLICATIONS:

- DAS
- Wi-Fi / WiMAX
- Cellular and GPS
- Communication Transmitter & Receiver
- Public Safety and ISM
- Instrumentation



Dimensions for 112A-700-2700-D



Please contact our sales department at 737-200-7090 or sales@InnowaveRF.com for any custom requirements.

© Innowave RF, LLC. All Rights Reserved. Specs can change without notice. Drawings are for reference purpose only.