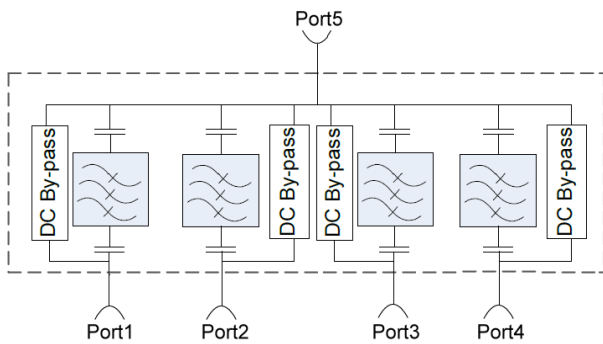
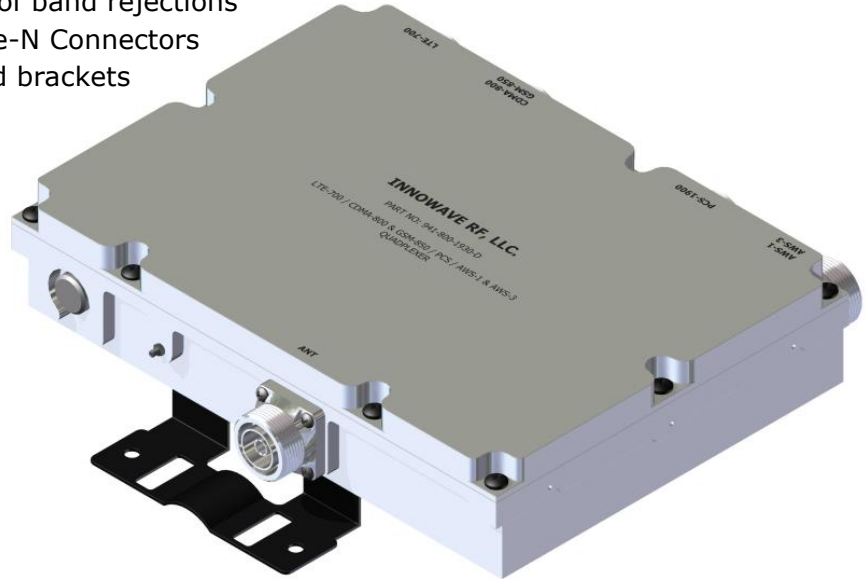


Innovation in Every Wave

FEATURES:

- Splits or combines the **700MHz LTE Band** (698MHz-787MHz), **850MHz CDMA, GSM Bands** (806MHz-896MHz), **PCS** (1850MHz-2000MHz), **AWS-1, AWS-3 Bands** (1695MHz-1780MHz & 2110MHz-2180MHz)
- Excellent Isolation between the bands
- Very low Insertion Loss with superior out of band rejections
- Available in DIN, Mini-DIN, 4.3-10 or Type-N Connectors
- Ease of Mounting with mounting holes and brackets
- Low-PIM with High Power Handling
- RoHS Complaint
- Weatherproof for Outdoor installation
- In Stock and Available Immediately



ELECTRICAL SPECIFICATIONS:

Frequency Bands	700LTE 698MHz - 787MHz	CDMA-850/850-GSM 806MHz - 896MHz	1900MHz PCS 1850MHz - 2000MHz	AWS-1/AWS-3 1695MHz - 1780MHz 2110MHz - 2180MHz
Passband Insertion Loss	0.25 dB			
Isolation	≥ 65 dB			
Return Loss	21 dB			
Impedance	50 Ohms			
Input Power	250 Watts (Avg); 2500 Watts (Peak)			
DC Pass Current	4000 mA (Typ)			
Intermodulation (PIM-3 rd)	-161dBc (2 Tones +43 dBm)			
Lightning Protection	8/20S 10KA Pulse (IEC801-5)			
MTBF Hours	≥ 500,000			

MECHANICAL & ENVIRONMENTAL SPECIFICATIONS:

Connectors:	Type-N (N) / DIN (D) / Mini-DIN (MD) / 4.3-10 (D43)
Housing Finish:	Aluminum Body
Mounting Method:	Mounting Holes
Temperature Range:	-20°C to 60°C
Humidity:	5% - 95%
Environment:	IP67

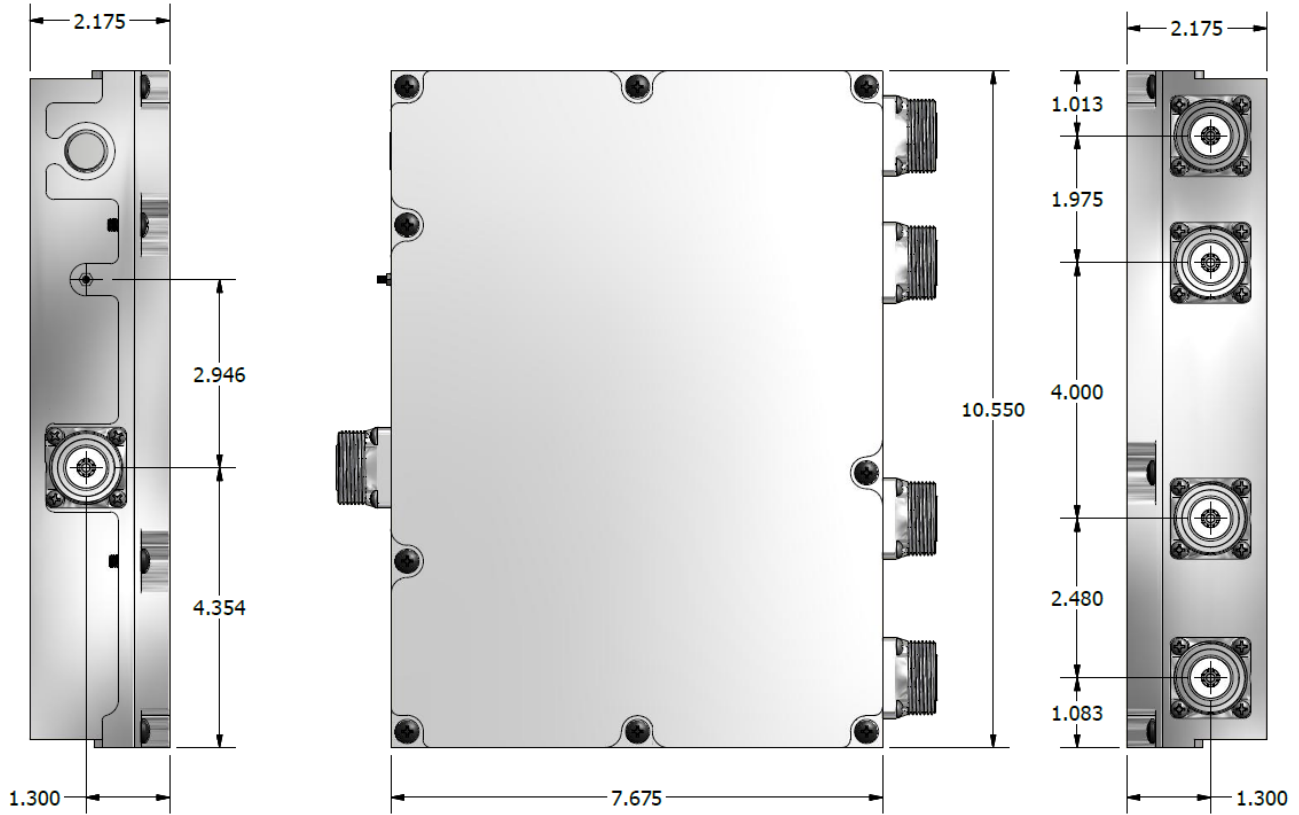
***** ORDERING INFO:**

Single Model: Part#: 941-800-1930-*

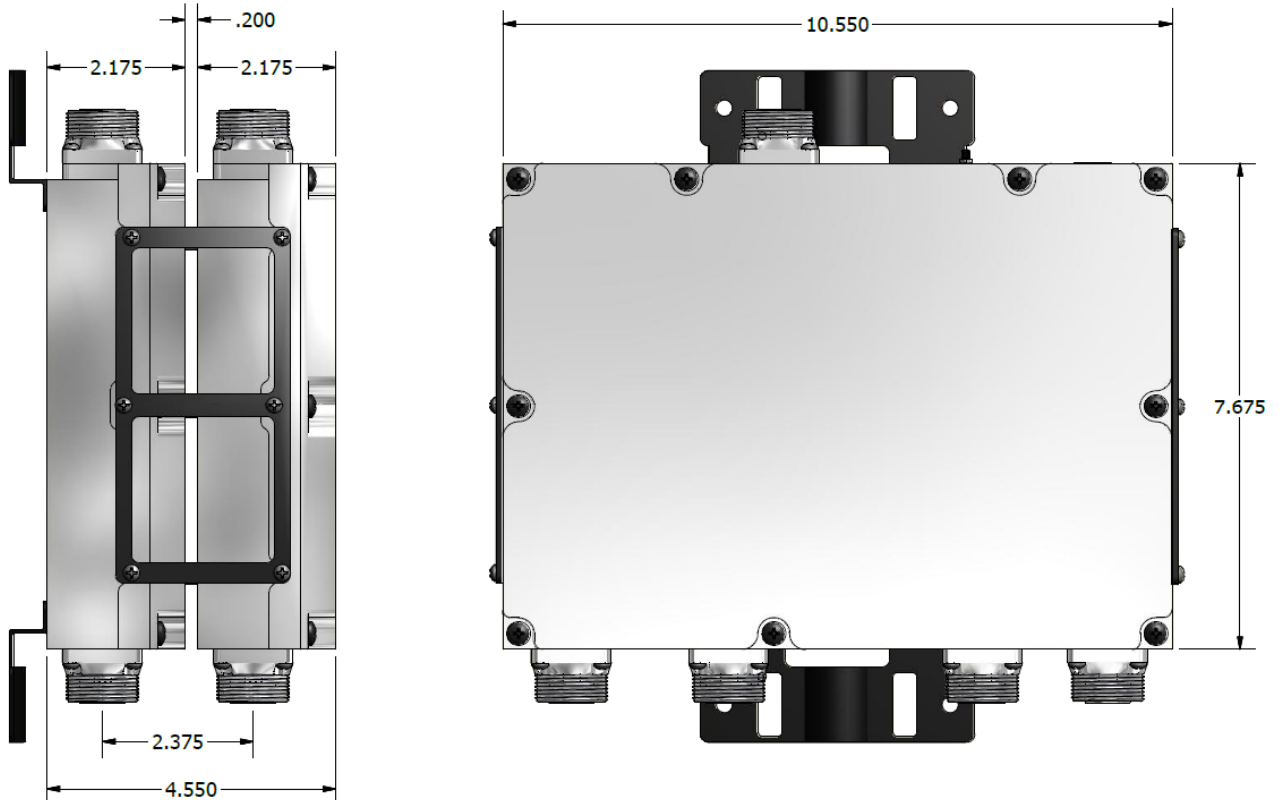
Dual Model: Part#: 942-800-1930-*

* - Connector Option

Dimensions for 941-800-1930-D



Dimension for 942-800-1930-D



Please contact our sales department at 737-200-7090 or sales@InnowaveRF.com for any custom requirements.
 © Innowave RF, LLC. All Rights Reserved. Specs can change without notice. Drawings are for reference purpose only.