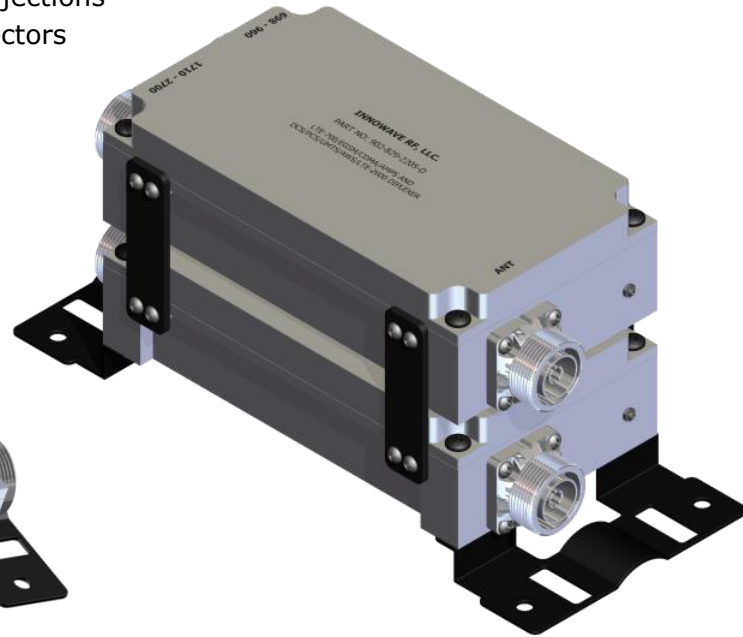
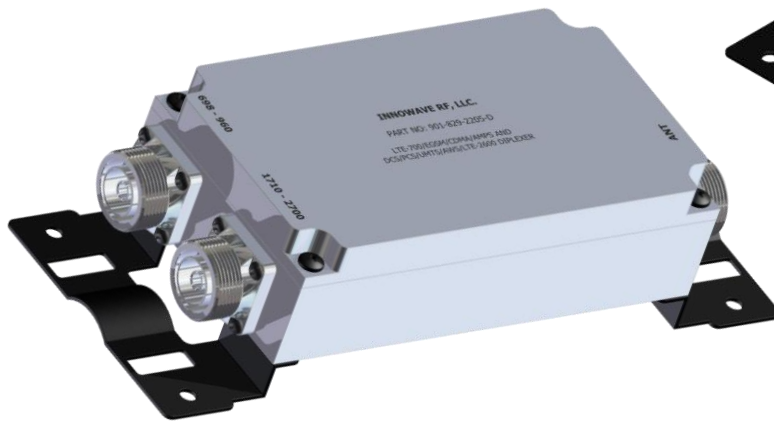


Innovation in Every Wave 700LTE/GSM/CDMA/AMPS and DCS/PCS/AWS/2600LTE Diplexer / Combiner

FEATURES:

- Splits or combines the **700MHz LTE/EGSM/CDMA/AMPS Bands** and **DCS/PCS/AWS/2600MHz LTE Bands**, including **Wi-Fi/WiMAX**
- Best-in-class Isolation between the 2 signals
- Very low Insertion Loss with superior out of band rejections
- Available in DIN, Mini-DIN, 4.3-10 or Type-N Connectors
- Low-PIM with High Power Handling
- *RoHS* Compliant
- Ease of Mounting with mounting holes
- Weatherproof / Outdoor unit
- In Stock to low lead time delivery



ELECTRICAL SPECIFICATIONS:

Frequency Bands	700-LTE/EGSM/CDMA/AMPS 698 MHz - 960 MHz	DCS/PCS/UMTS/AWS/Wi-Fi/WiMAX/2600-LTE 1695 MHz - 2700 MHz
Passband Insertion Loss	0.20 dB	
Isolation	≥70 dB @ 1695MHz-2700MHz	≥70 dB @ 698MHz-960MHz
Return Loss	21 dB	
Impedance	50 Ohms	
Input Power	400 Watts (Avg); 2500 Watts (Peak)	
DC Pass Current	4000 mA (Typ)	
Lightning Protection	8/20S 10kA Pulse (IEC 801-5)	
Intermodulation (PIM - 3 rd)	-161 dBc (2 Tones +43 dBm)	

MECHANICAL SPECIFICATIONS:

Connectors:	7/16 DIN (D) / Mini-DIN (MD) / 4.3-10 (D43) / Type-N (N)	
Housing Finish:	Aluminum Body	
Mounting Method:	Mounting Holes	
Temperature Range:	-20°C to 80°C	
Humidity:	5% – 95%	
Environment:	IP67	

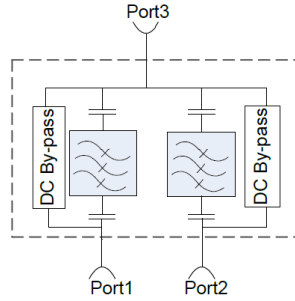
***** ORDERING INFO:**

Single Model: Part#: 901-829-2205-*

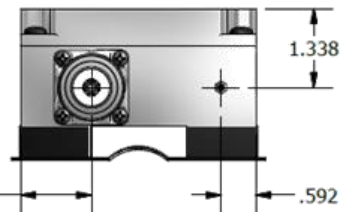
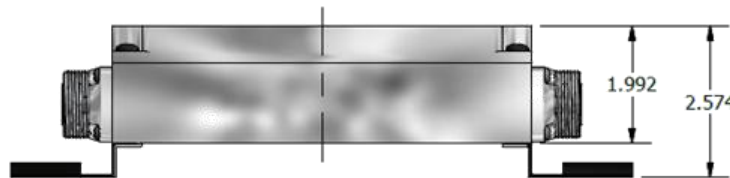
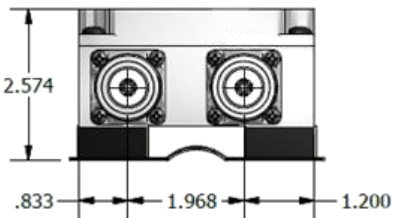
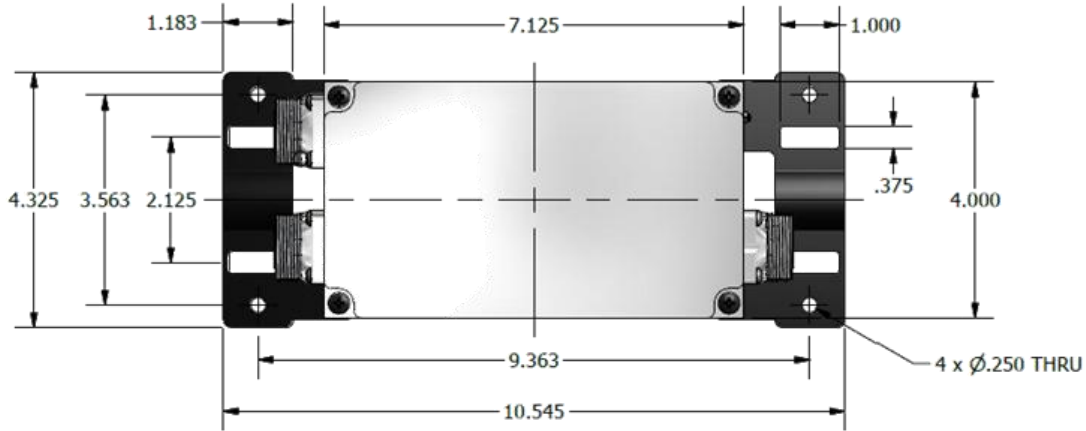
Dual Model: Part#: 902-829-2205-*

* - Connector Option

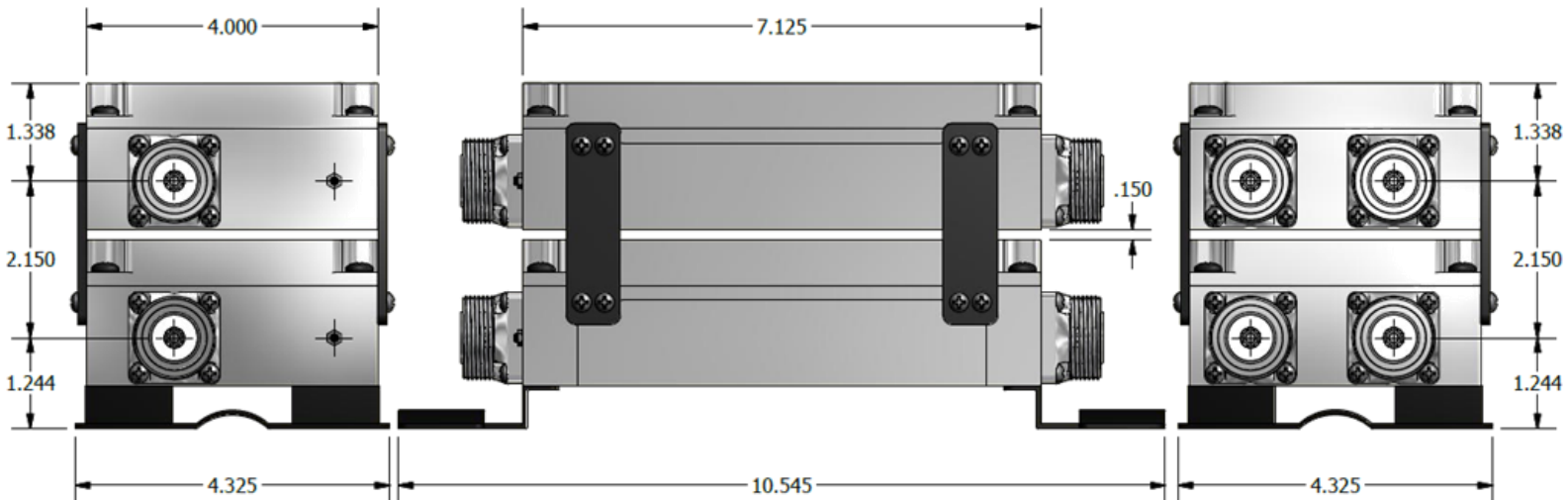
DC By-Pass for 901-829-2205



Dimensions for 901-829-2205-D



Dimensions for 902-829-2205-D



Please contact our sales department at 737-200-7090 or sales@InnowaveRF.com for any custom requirements.
 © Innowave RF, LLC. All Rights Reserved. Specs can change without notice. Drawings are for reference purpose only.