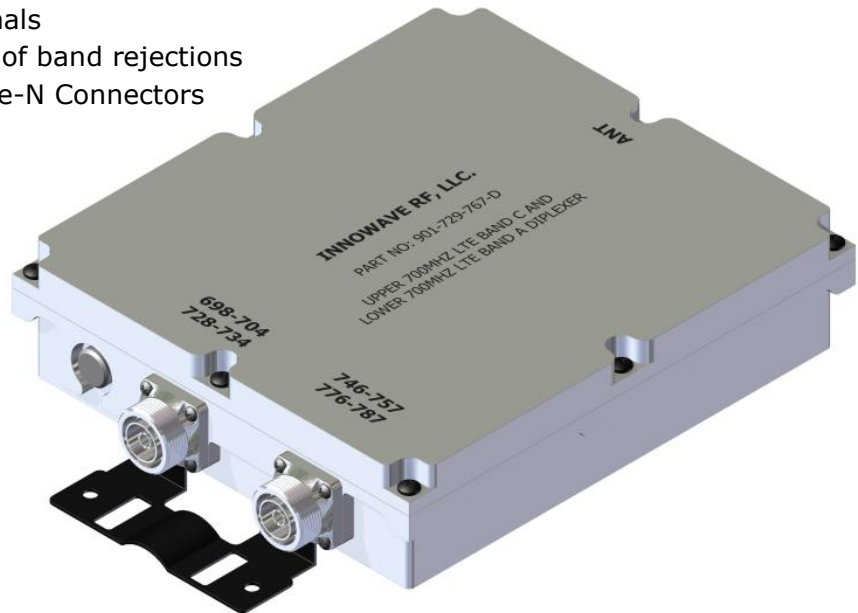


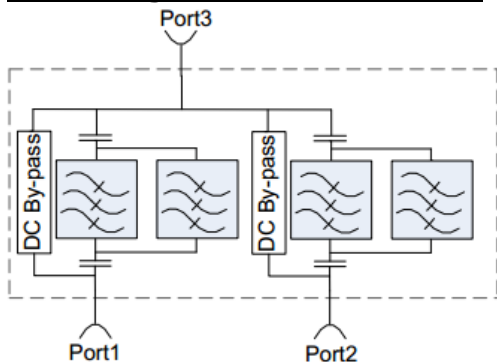
Innovation in Every Wave Upper 700-LTE Band-C and Lower 700-LTE Band-A Diplexer / Combiner

FEATURES:

- Splits or combines the **Upper 700MHz LTE Band-C** (746MHz-757MHz & 776MHz-787MHz) and **Lower 700MHz LTE Band-A** (698MHz-704MHz & 728MHz-734MHz)
- **Rejects In-Band Public Safety** frequencies (763MHz-775MHz)
- Best-in-class Isolation between the 2 signals
- Very low Insertion Loss with superior out of band rejections
- Available in DIN, Mini-DIN, 4.3-10 or Type-N Connectors
- Low-PIM with High Power Handling
- RoHS Compliant
- Weatherproof / Outdoor unit
- In Stock to low lead time delivery



Block Diagram for 901-729-767



ELECTRICAL SPECIFICATIONS:

Frequency Bands	Upper 700MHz LTE Band C 746MHz-757MHz & 776MHz-787MHz	Lower 700MHz LTE Band A 698MHz-704MHz & 728MHz-734MHz
Passband Insertion Loss	0.20 dB	
Isolation	≥70dB Between Ports ≥30dB Rejection @ 766.5MHz	≥70dB Between Ports ≥30dB Rejection @ 716MHz
Return Loss	21 dB	
Impedance	50 Ohms	
Input Power	400 Watts (Avg); 2500 Watts (Peak)	
DC Pass Current	4000 mA (Typ)	
Lightning Protection	8/20S 10kA Pulse (IEC 801-5)	
Intermodulation (PIM - 3 rd)	-161 dBc (2 Tones +43 dBm)	

MECHANICAL SPECIFICATIONS:

Connectors:	7/16 DIN (D) / Mini-DIN (MD) / 4.3-10 (D43) / Type-N (N)
Housing Finish:	Aluminum Body
Mounting Method:	Mounting Panel
Temperature Range:	-35°C to 75°C
Relative Humidity:	5% - 95%
Environment:	IP67

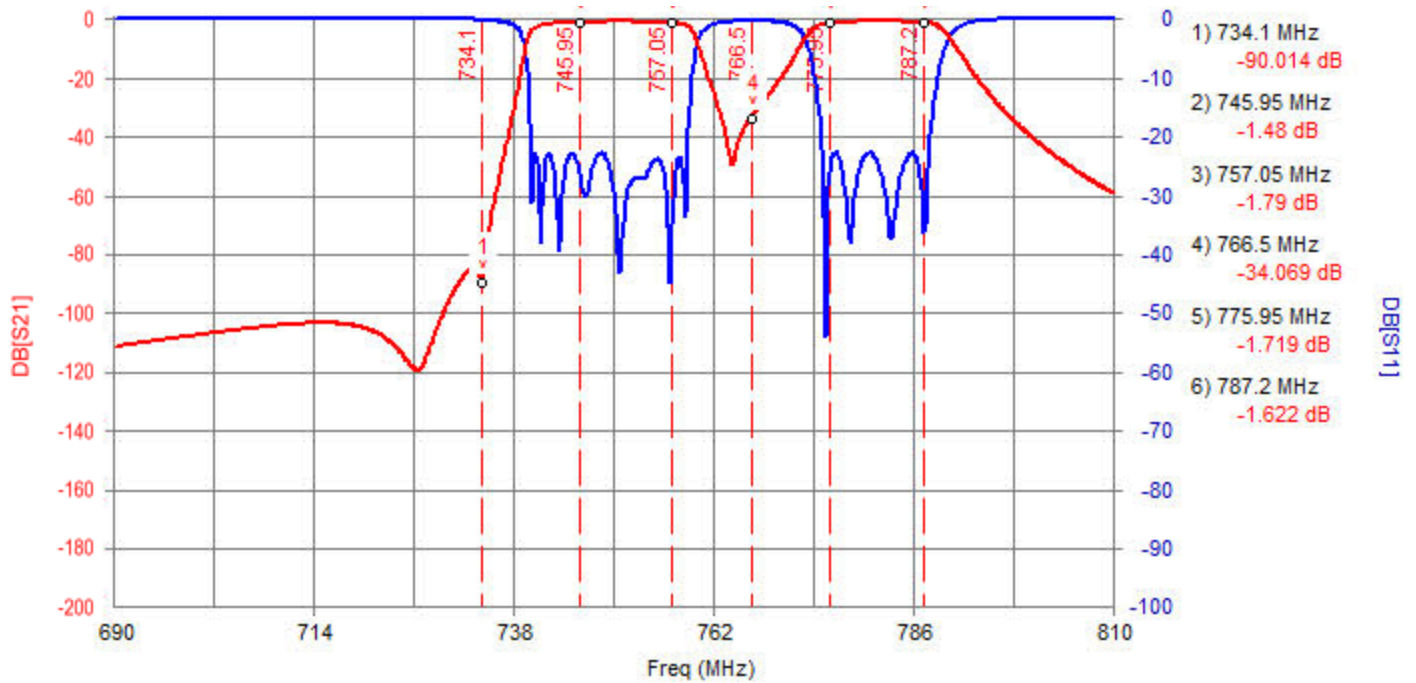
***** ORDERING INFO:**

Single Model: Part#: 901-729-767-*

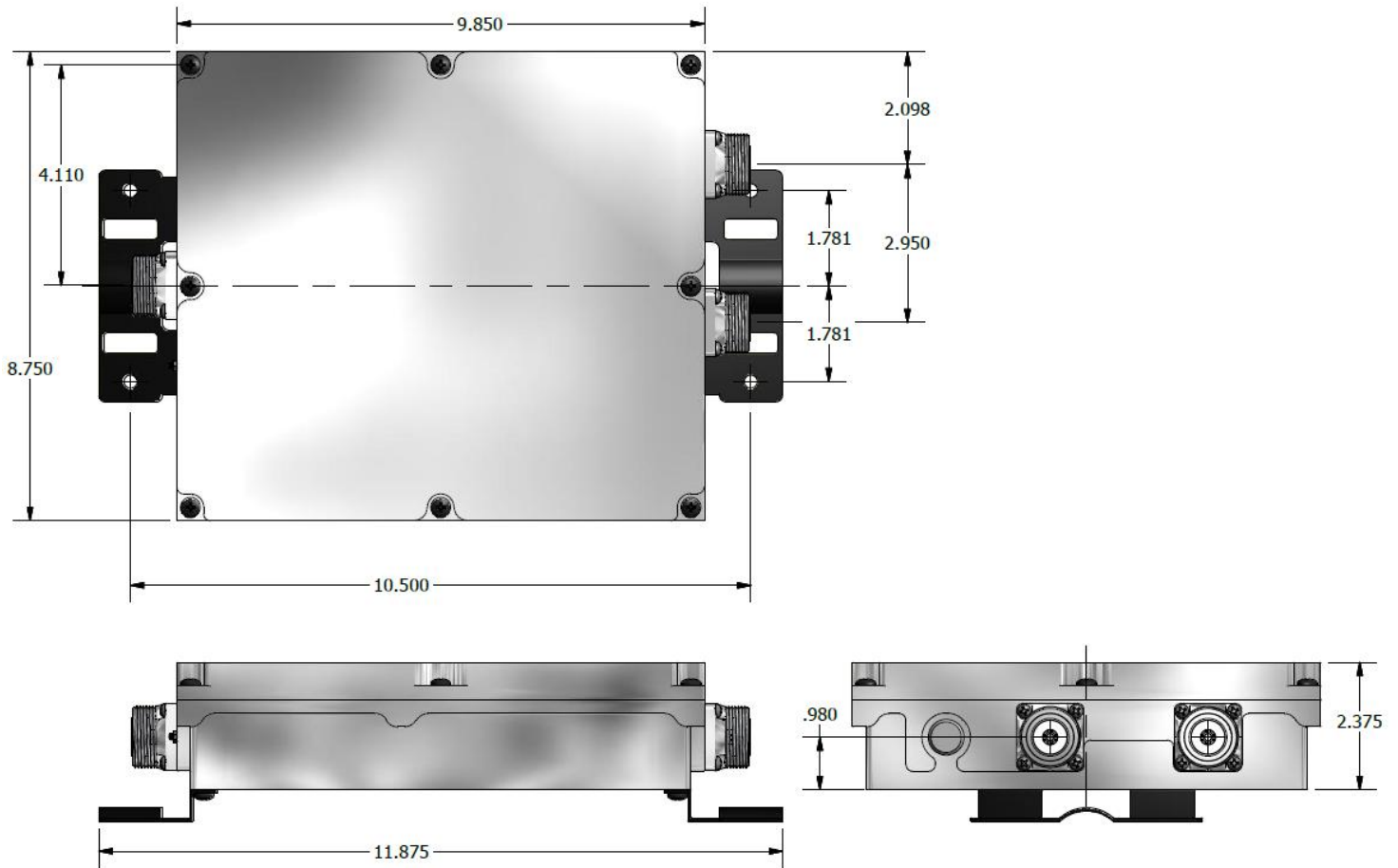
Dual Model: Part#: 902-729-767-*

* - Connector Option

Typical Response at Port 1



Dimensions for 901-729-767-D



Please contact our sales department at 737-200-7090 or sales@InnowaveRF.com for any custom requirements.

© Innowave RF, LLC. All Rights Reserved. Specs can change without notice. Drawings are for reference purpose only.