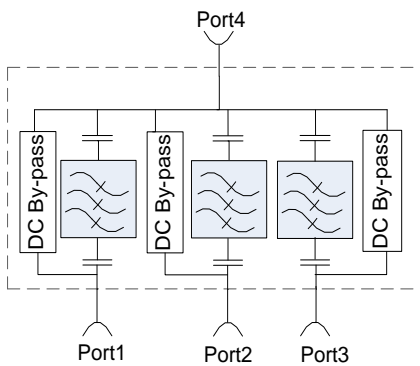


**FEATURES:**

- Splits or combines the **700MHz LTE Band** (698MHz-798MHz), **AWS-1, AWS-3 Bands** (1695MHz-1780MHz & 2110MHz-2180MHz) and **1900MHz PCS Band** (1850MHz-2000MHz)
- Excellent Isolation between the bands
- Very low Insertion Loss with superior out of band rejections
- Available in DIN, Mini-DIN, 4.3-10 or Type-N Connectors
- Low-PIM with High Power Handling
- Ease of Mounting with mounting holes and brackets
- RoHS Complaint
- Weatherproof for Outdoor use
- In Stock and Available Immediately



**ELECTRICAL SPECIFICATIONS:**

Frequency Bands	700 MHz LTE 698MHz - 798MHz	AWS-1, AWS-3 Bands 1695MHz - 1780MHz 2110MHz - 2180MHz	1900 MHz PCS 1850MHz - 2000MHz
Passband Insertion Loss	0.25 dB		
Isolation	≥ 65 dB		
Return Loss	21 dB		
Impedance	50 Ohms		
Input Power	400 Watts (Avg); 3000 Watts (Peak)		
Intermodulation (PIM - 3 <sup>rd</sup> )	-161dBc (2 Tones +43 dBm)		
DC Pass Current	3000mA (Typ)		
Lightning Protection	8/20S 10kA Pulse (IEC801-5)		
MTBF Hours	≥ 500,000		

**MECHANICAL SPECIFICATIONS:**

Connectors:	Type-N (N) / DIN (D) / Mini-DIN (MD) / 4.3-10 (D43)
Housing Finish:	Aluminum Body
Mounting Method:	Mounting Holes
Temperature Range:	-30°C to 60°C
Humidity:	5% - 95%
Environment:	IP67

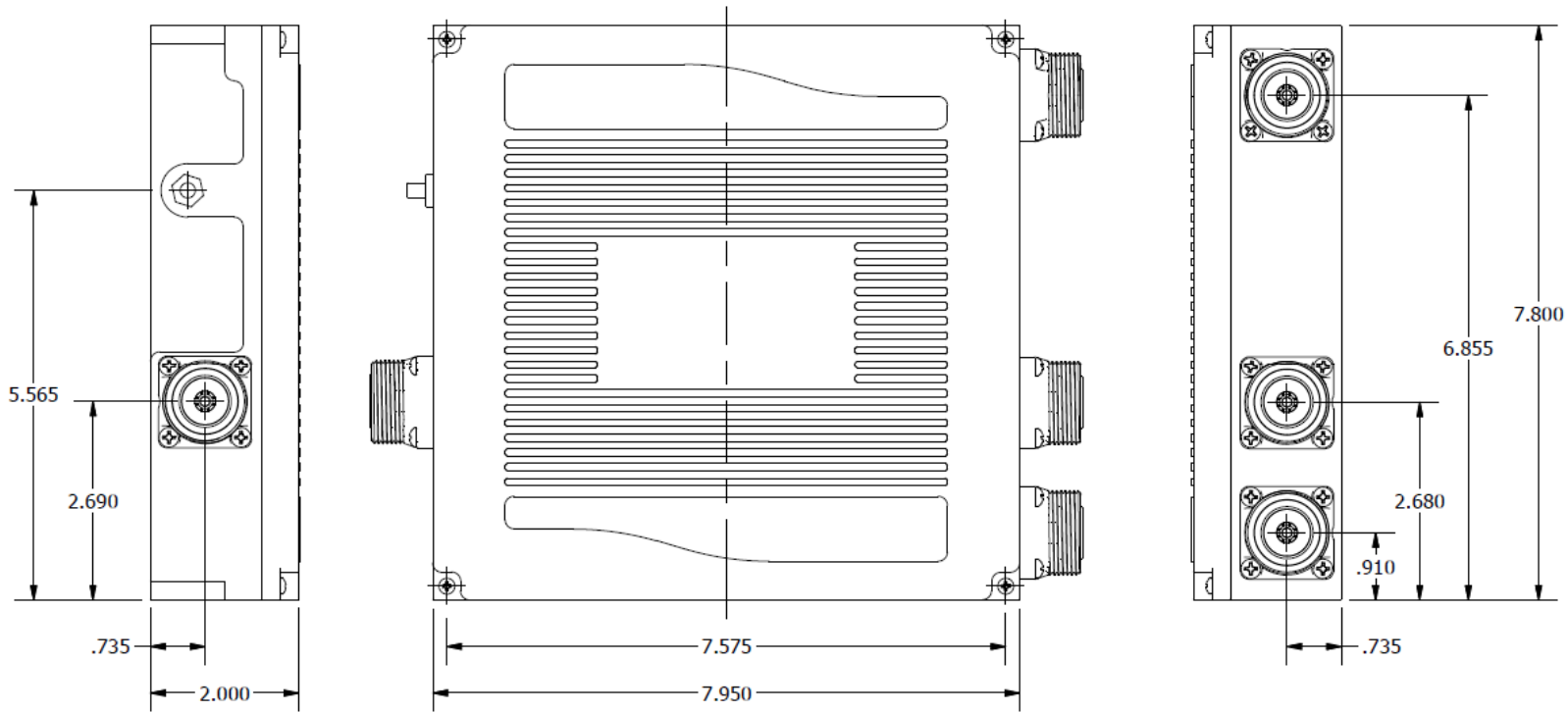
**\*\*\* ORDERING INFO:**

**Single Model:** Part#: 931-1344-1925-\*

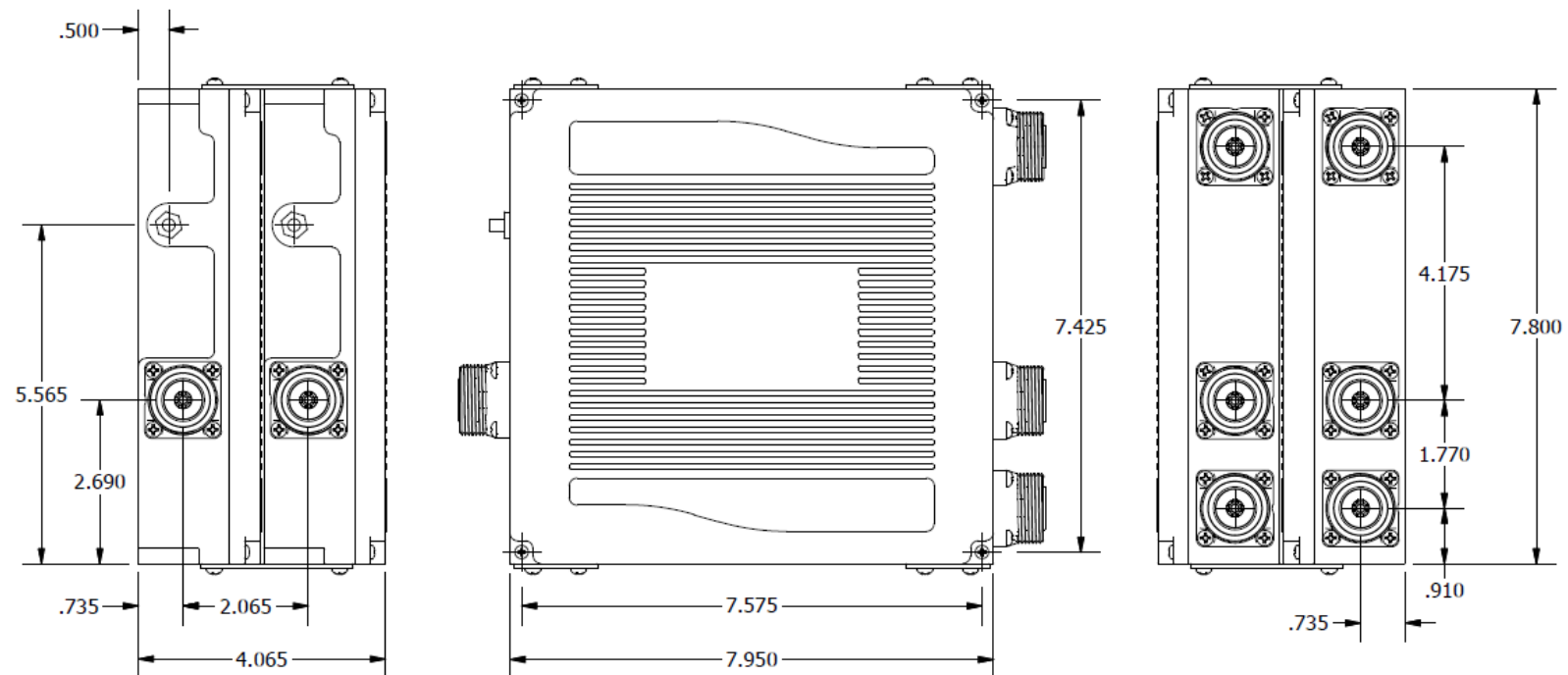
**Dual Model:** Part#: 932-1344-1925-\*

\* - Connector Option

**Dimensions for 931-1344-1925-D**



**Dimensions for 932-1344-1925-D**



Please contact our sales department at 737-200-7090 or [sales@InnowaveRF.com](mailto:sales@InnowaveRF.com) for any custom requirements.  
 © Innowave RF, LLC. All Rights Reserved. Specs can change without notice. Drawings are for reference purpose only.