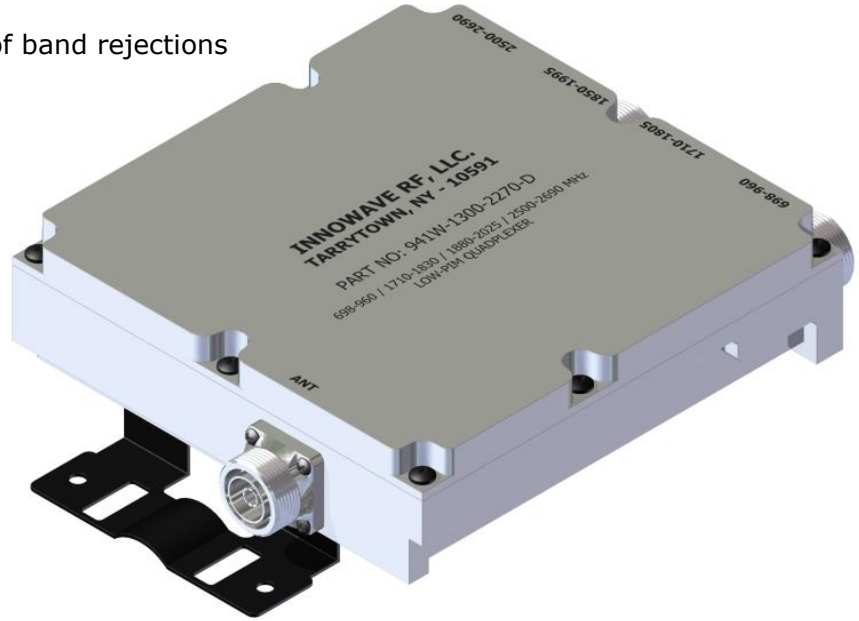


FEATURES:

- Splits or combines **700MHz LTE & GSM Band** (698MHz-798MHz), **1900MHz DCS Band** (1710MHz-1805MHz), **1900MHz PCS Band** (1850MHz-1995MHz) and **2600MHz LTE Band** (2500MHz-2690MHz)
- Excellent Isolation between the bands
- Very low Insertion Loss with superior out of band rejections
- Low-PIM with High Power Handling
- ROHS Complaint
- Ease of Mounting with mounting holes
- Weatherproof for Outdoor installation
- In Stock and Available Immediately

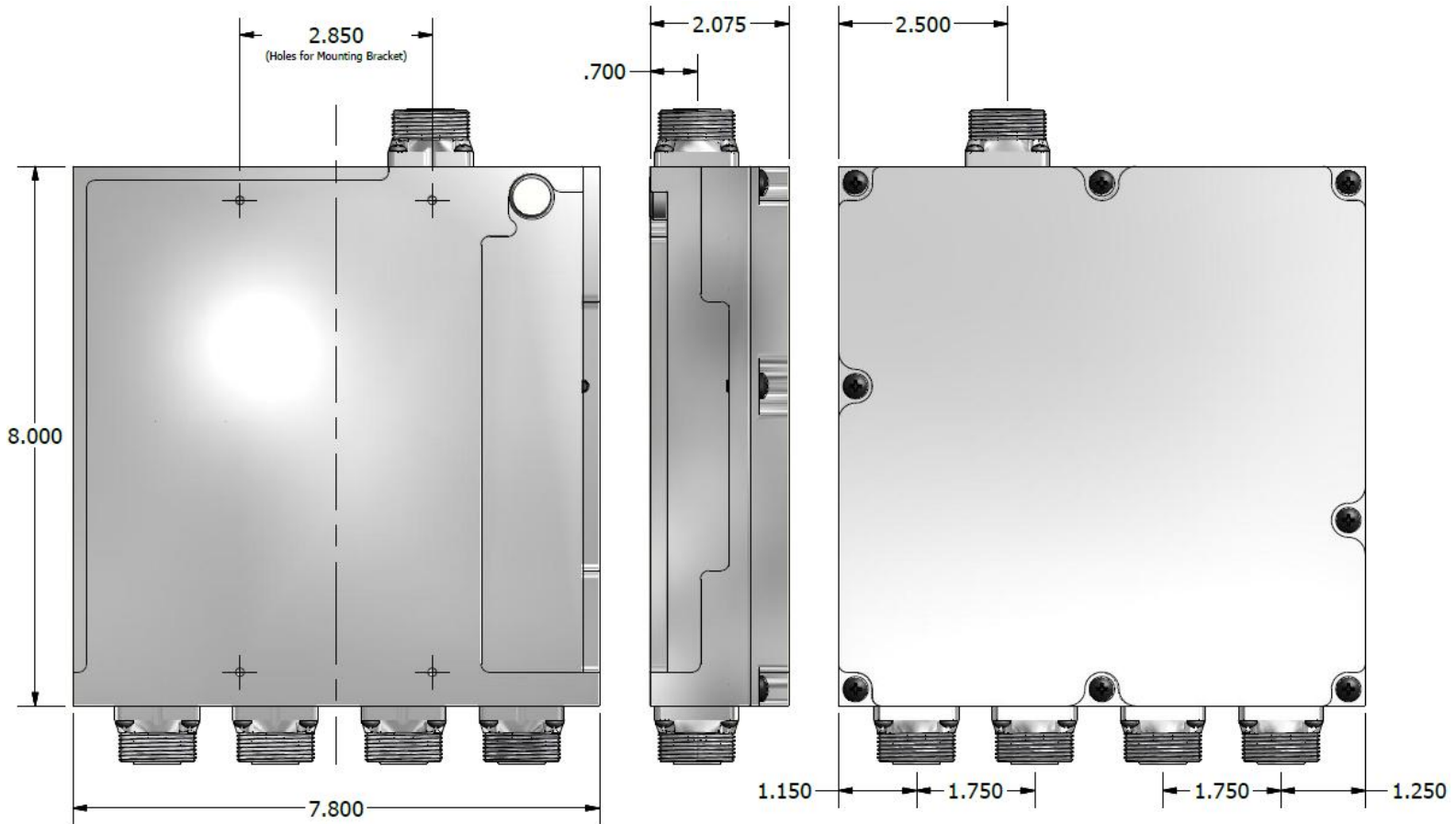

ELECTRICAL SPECIFICATIONS:

Frequency Bands	PORT 1	PORT 2	PORT 3	PORT 4
	698MHz - 960MHz	1710MHz - 1805MHz	1850MHz - 1995MHz	2500MHz - 2690MHz
Insertion Loss	≤ 0.30 dB (Typ)	≤ 0.60 dB (Typ)	≤ 0.60 dB (Typ)	≤ 0.30 dB (Typ)
Pass Band Ripple	≤ 0.20 dB (Max)	≤ 0.50 dB (Max)	≤ 0.50 dB (Max)	≤ 0.20 dB (Max)
Isolation	≥ 60 dB	≥ 60 dB	≥ 60 dB	≥ 60 dB
Return Loss	≤ -20 dB (Typ) @ RT			
Rejection	≥80dB @ 1850-1995 ≥80dB @ 2500-2690	≥80dB @ 1850-1995 ≥80dB @ 2500-2690	≥80dB @ 2500-2690 ≥80dB @ 800-1805	≥80dB @ 1850-1995 ≥80dB @ 800-1805
Impedance	50 Ohms			
Input Power	200 Watts (Avg)			
Intermodulation (PIM-3 rd)*	-157dBc (Typ) (2 Tones +43 dBm)			
Lightning Protection	8/20S 10KA Pulse (IEC801-5)			
MTBF Hours	≥ 500,000			

MECHANICAL & ENVIRONMENTAL SPECIFICATIONS:

Connectors:	7/16 DIN (Female) Type-N (Female) option available
Housing Finish:	Aluminum Body
Mounting Method:	Mounting Holes
Temperature Range:	-20°C to 60°C
Humidity:	5% – 95%
Environment:	IP67

Dimensions for 941-1300-2270-D



Block Diagram Representation for 941-1300-2270-D

