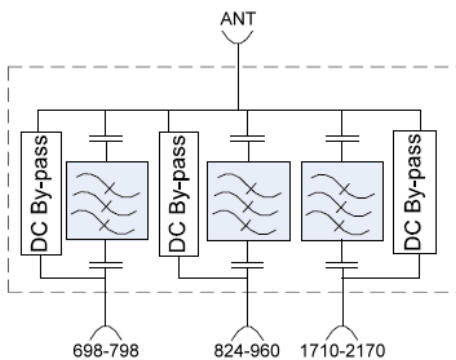


FEATURES:

- Splits or combines the **700MHz LTE Band** (698MHz-798MHz), **850MHz GSM Band** (824MHz-960MHz) and **1900MHz PCS/AWS Band** (1710MHz-2170MHz)
- Excellent Isolation between the bands
- Very low Insertion Loss with superior out of band rejections
- Available in DIN, Mini-DIN, 4.3-10 or Type-N Connectors
- Low-PIM with High Power Handling
- Ease of Mounting with mounting holes and brackets
- ROHS Complaint
- Weatherproof for Outdoor use
- In Stock and Available Immediately



ELECTRICAL SPECIFICATIONS:

Frequency Bands	700 MHz LTE	850 MHz GSM	1900 MHz PCS/AWS
	698MHz - 798MHz	824MHz - 960MHz	1710MHz - 2170MHz
Passband Insertion Loss	0.35 dB (Typ)		
Isolation	≥ 60 dB	≥ 60 dB	≥ 60 dB
Return Loss	-20 dB (Typ)		
Impedance	50 Ohms		
Input Power	400 Watts (Avg); 3000 Watts (Peak)		
Intermodulation (PIM - 3 rd) ***	-157dBc (Typ) (2 Tones +43 dBm)		
DC Pass Current	3000mA (Typ)		
Lightning Protection	8/20S 10kA Pulse (IEC801-5)		
MTBF Hours	≥ 500,000		

MECHANICAL SPECIFICATIONS:

Connectors:	Type-N (N) / DIN (D) / Mini-DIN (MD) / 4.3-10 (D43)
Housing Finish:	Aluminum Body
Mounting Method:	Mounting Holes
Temperature Range:	-30°C to 60°C
Humidity:	5% – 95%
Environment:	IP67

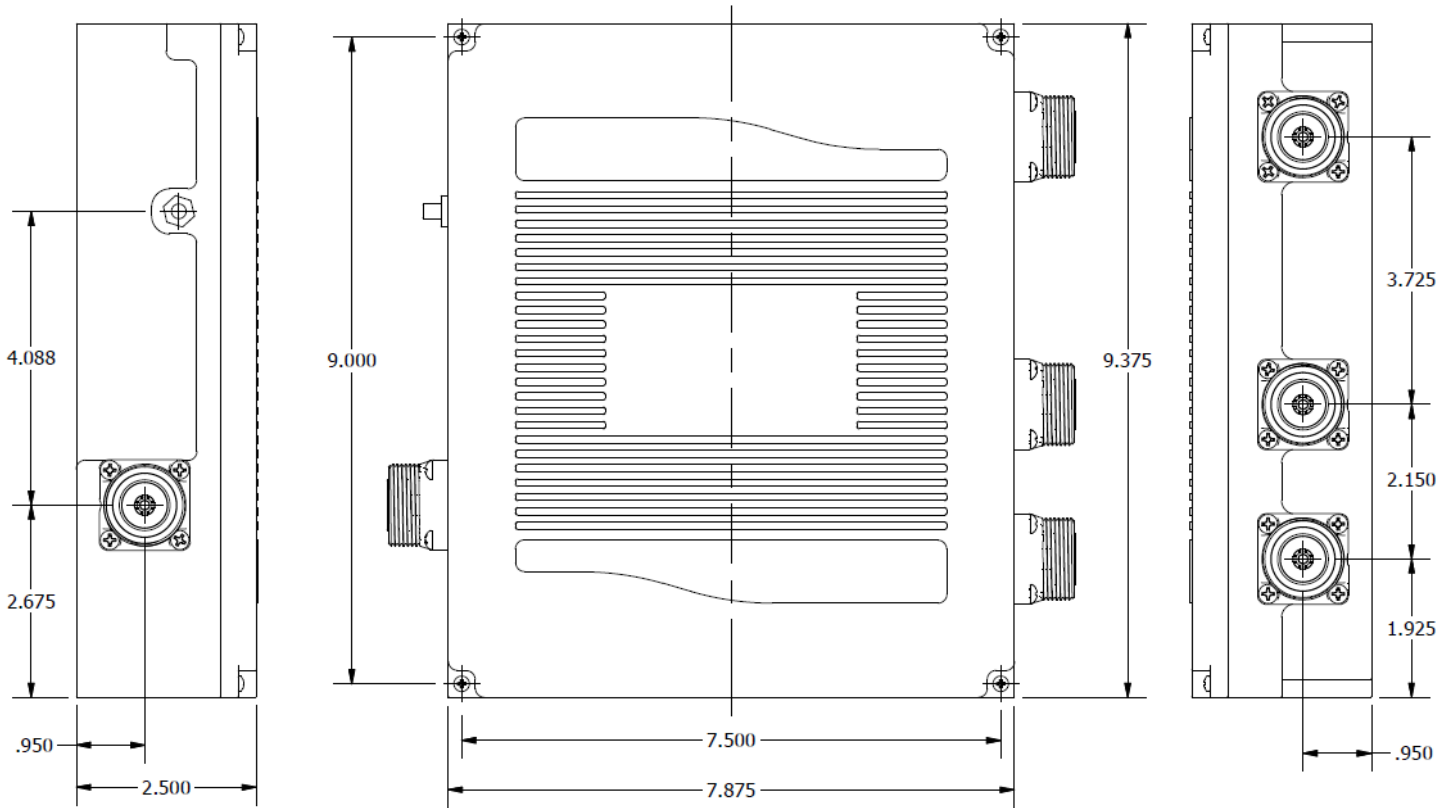
***** ORDERING INFO:**

Single Model: Part#: 931-820-2140-*

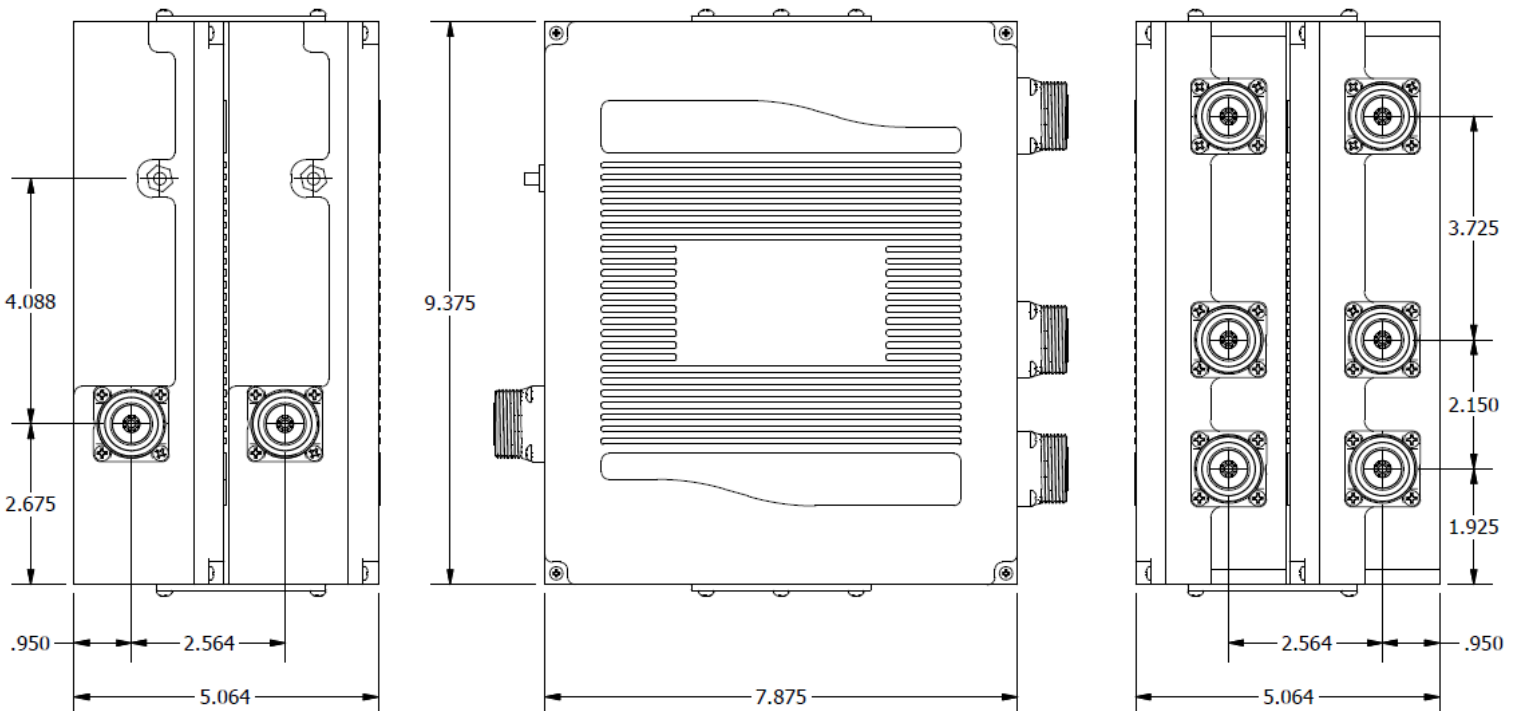
Dual Model: Part#: 932-820-2140-*

* - Connector Option

Dimensions for 931-820-2140-D



Dimensions for 932-820-2140-D



Please contact our sales department at 737-200-7090 or sales@InnowaveRF.com for any custom requirements.
 © Innowave RF, LLC. All Rights Reserved. Specs can change without notice. Drawings are for reference purpose only.