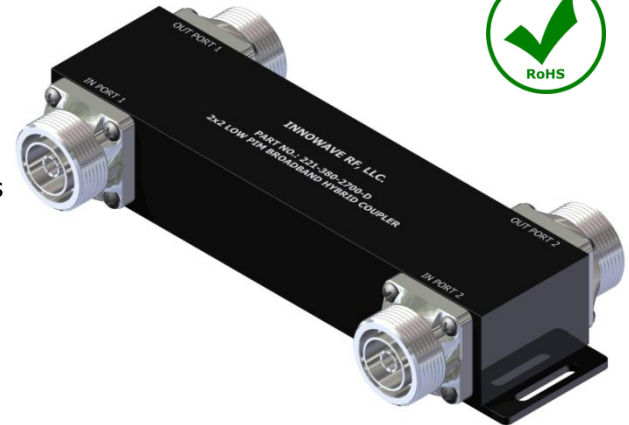


221-380-2700 is a 4 port Hybrid coupler that can be used to combine any 2 signals in the 380MHz - 2700MHz range. The combined signals will appear at both the output ports. These are symmetric devices so inputs and outputs can be used interchangeably. It can also be used to split one input signal into 2 output ports. The unused port must be always terminated with a 50Ω Load. These hybrid couplers can be used over a wide range of temperature and environmental conditions.

FEATURES:

- Combines 2 signals in the 380MHz – 2700MHz
- Best-in-class Isolation between the 2 signals
- Very low Insertion Loss
- Available in DIN, Mini-DIN, 4.3-10 or Type-N Connectors
- Low-PIM & High Power Handling
- RoHS Compliant
- Ease of Mounting with mounting holes
- Weatherproof for Outdoor use
- In Stock and Available Immediately



ORDERING INFO:

Connector Configuration:

Part#: 221-380-2700-*

* - See Connector Options

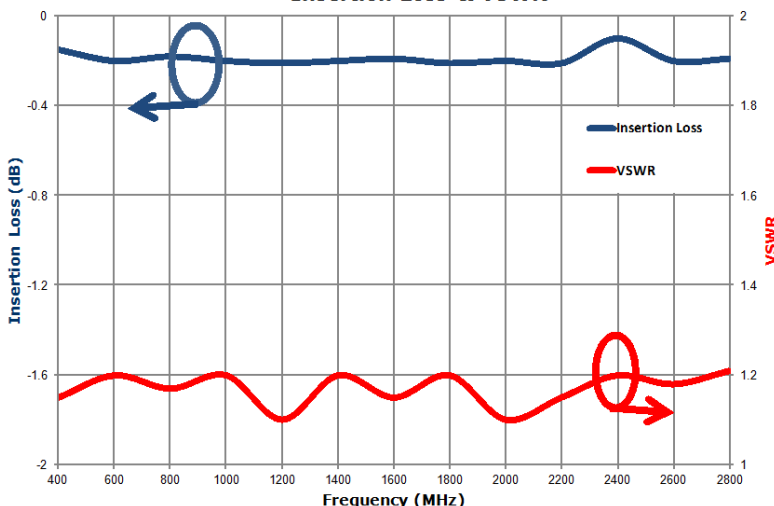
ELECTRICAL SPECIFICATIONS:

Frequency Range:	380MHz – 2700MHz
Coupling Loss:	3.00 dB ±0.20dB
Isolation:	29.00 dB
VSWR:	1.20
Impedance:	50 Ohms
Input Power:	500 Watts (Avg)
Intermodulation (PIM - 3rd):	-163 dBc (2Tones +43dBm)

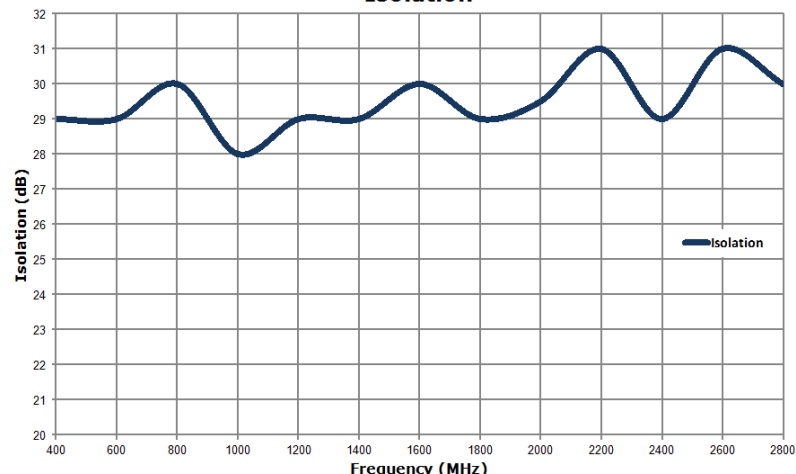
MECHANICAL SPECIFICATIONS:

Connectors:	Type-N (N) / DIN (D) / Mini-DIN (MD) / 4.3-10 (D43)
Housing Finish:	Aluminum Body
Mounting Method:	Mounting Holes
Temperature Range:	-30°C to 80°C
Humidity:	100%
Environment:	IP67

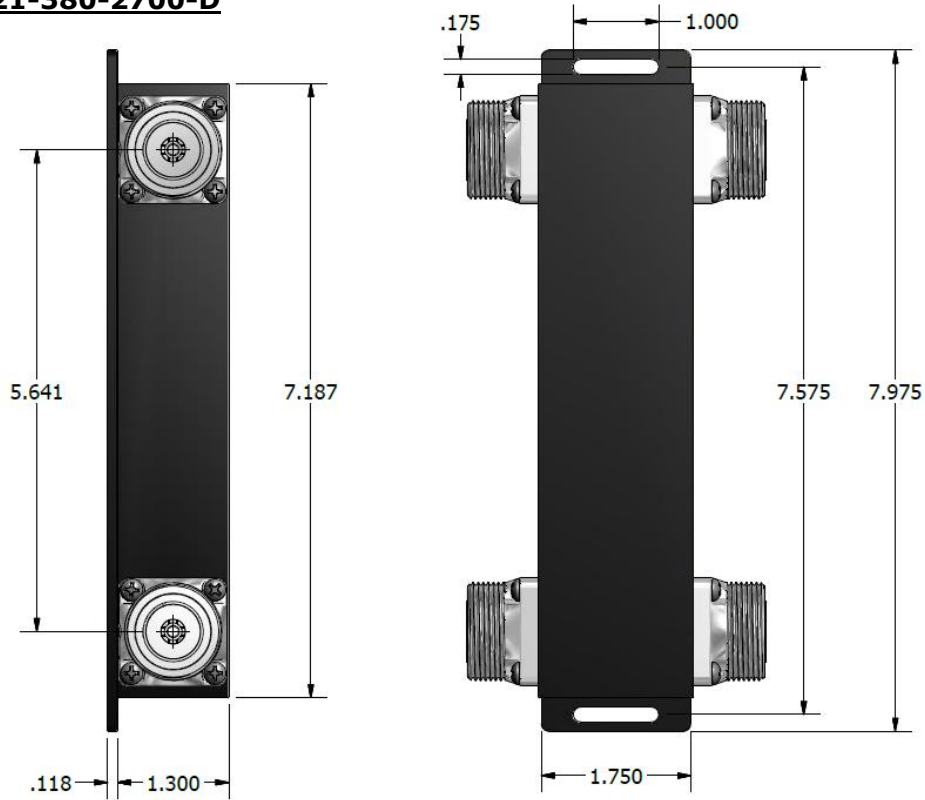
Insertion Loss & VSWR



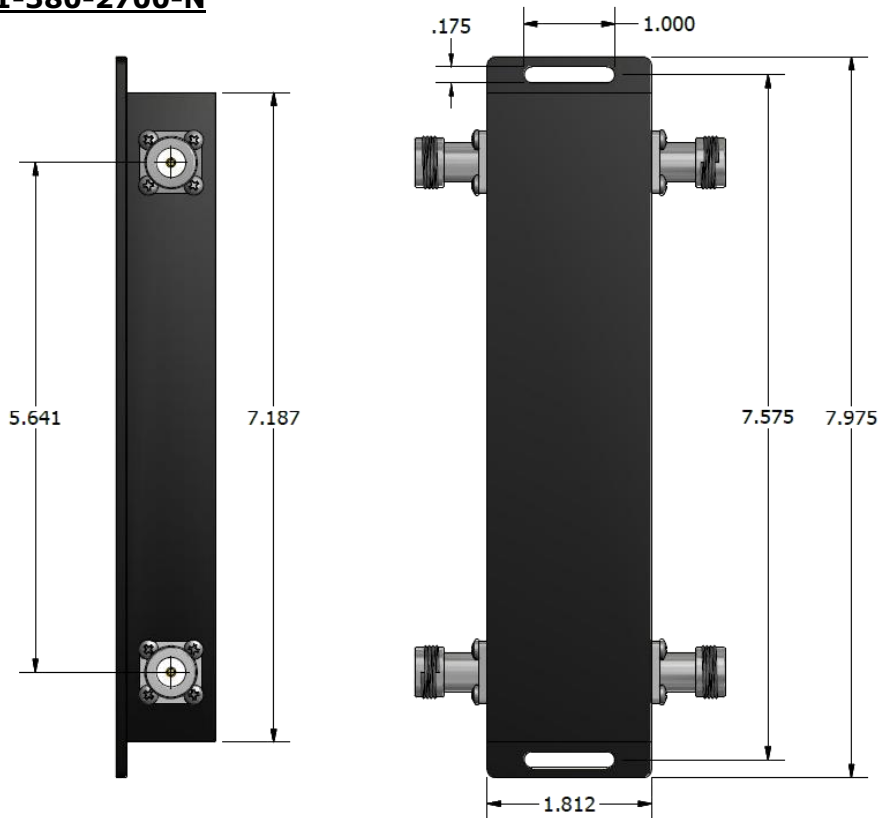
Isolation



Dimensions for 221-380-2700-D



Dimensions for 221-380-2700-N



Please contact our sales department at 737-200-7090 or sales@innowaverf.com for any custom requirements.

© Innowave RF, LLC. All Rights Reserved. Specs can change without notice. Drawings are for reference purpose