

321-50-6G series is a high performance 50Ω Gas Discharge Lightning Surge Protector covering from DC to 6GHz. Its superior performance in the entire band makes it suitable for ISM, IEEE 802.11a/b/g and cellular applications. It can also be used with Coax cables as it passes DC without any degradation of signal through it. The unit has Type-N connectors and is bi-directional. Superior Grounding can be achieved with the ground lug terminal provided on the surge protector housing.

FEATURES:

- Superior Performance from DC to 6.0 GHz
- Robust Construction
- Capable of handling Multi-Strikes
- Bi-Directional Surge Protector
- Nickel Plated Brass Body with Gold-Plated Center Conductors


ELECTRICAL SPECIFICATIONS:

Frequency Range:	DC – 6.0 GHz
Impedance:	50Ω
Insertion Loss:	0.30 dB (Typical)
VSWR:	1.25 (Max)
Breakdown Voltage:	90V ± 20%
Insulating Resistance:	5000 MΩ (Min)
Peak Power:	200 W
Maximum Transient:	20 kA (8x20μs)

MECHANICAL SPECIFICATIONS:

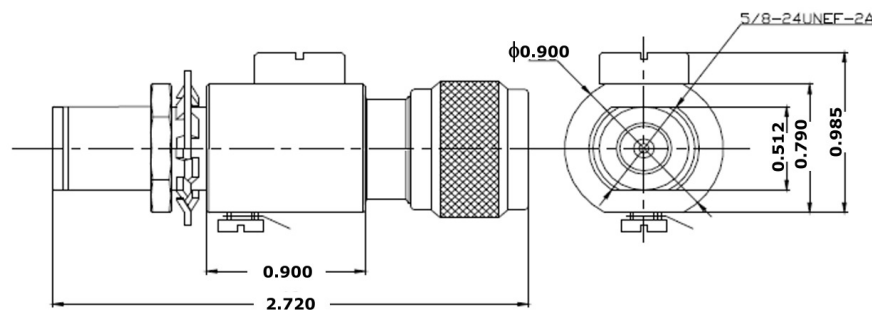
Connectors:	Type-N Male/Female
Connector Body:	Nickel Plated Brass
Body:	Nickel Plated Bronze
Center Pin:	Gold Plated Brass
O-Ring:	Rubber
Dimensions:	2.720" X Ø0.985
Weight:	4.40 oz

APPLICATIONS:

- Wireless LAN Applications IEEE 802.11a/b/g
- Protects Lightning Strikes on Antenna towers used for Communications
- Protects High Voltage Surges on Coax Applications
- ISM Applications
- PCS & Cellular Applications


AVAILABLE MODELS FOR 321-50-6G-:**

- 321-50-6G-N** --- Type-N Male to Type-N Female
- 321-50-6G-NF** --- Type-N Female to Type-N Female
- 321-50-6G-NM** --- Type-N Male to Type-N Male



Dimension shown above is for Model#: 321-50-6G-N. Dimensions vary between different Models.

Please contact our sales department at 914-230-4060 or sales@innowaverf.com for any custom requirements.

© InnowaveRF, LLC. All Rights Reserved. Specs can change without notice. Drawings are for reference purpose only.