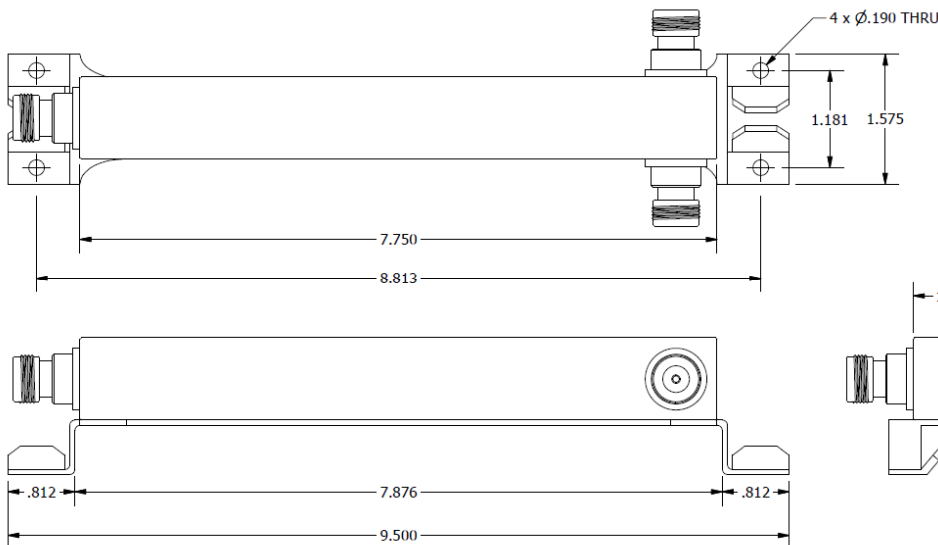


111-700-2700-2 is a broad band Low-PIM Reactive 2-Way Power Splitter, designed to evenly split high power signals between 698 MHz and 2700 MHz. Because of their rugged construction, they are indestructible and can be used in extreme weather and environmental conditions. They have mounting brackets that enable them to be easily mounted on structures. It also has a very low Insertion Loss with an outstanding VSWR at all three ports. Type-N and 7/16 DIN Connector options available.

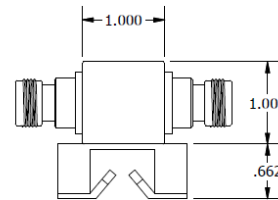
FEATURES:

- Wide bandwidth, 698 MHz – 2700 MHz
- Superior Construction and High Power Handling
- Low-PIM of -157 dBc typical
- Low VSWR and Low Insertion Loss
- *RoHS* Complaint.
- Outdoor/Weather Resistant unit.
- In stock and Available Immediately



ORDERING INFO FOR 111-700-2700-2-X:

- 111-700-2700-2-N** --- Type-N Connector
111-700-2700-2-D --- 7/16 DIN Connector



APPLICATIONS:

- DAS
- Wi-Fi / WiMAX
- Cellular and GPS
- Communication Transmitter and Receiver
- Public Safety and ISM
- Instrumentation

SPECIFICATIONS:

Frequency Range:	698 MHz – 2700 MHz
Insertion Loss:	0.10 dB (Typ) (Over the theoretical loss of 3 dB)
VSWR:	< 1.20 (Typ)
Power Handling:	500 W (Avg)
Impedance:	50Ω
PIM – 3 rd :	-157 dBc (Typ) (2Tone 43dBm each)
Temperature Range:	-55°C to 85°C
Humidity:	Up to 100%
Environment:	IP65 - Outdoor Use

Please contact our sales department at 914-230-4060 or sales@InnowaveRF.com for any custom requirements.

© Innowave RF, LLC. All Rights Reserved. Specs can change without notice. Drawings are for reference purpose only.