

**231-700-2700-4** is a 8 port Hybrid coupler that can be used to combine any 4 signals in the 698MHz - 2700MHz range. The combined signals will appear at both the output ports. These are symmetric devices so Inputs and Outputs can be used interchangeably. It can also be used to split one input signal into 4 output ports. The unused port must be always terminated with a 50 Ohm Load. These hybrid combiners can be used over a wide range of temperature and environmental conditions.

**FEATURES:**

- Combines 4 signals in the 698 MHz – 2700 MHz
- Best-in-class Isolation between the 4 signals
- Very low Insertion Loss
- Low-PIM & High Power Handling
- *RoHS* Compliant
- Ease of Mounting with mounting holes
- Available in 7/16 DIN Connector
- Weatherproof for Outdoor use
- In Stock & Available Immediately

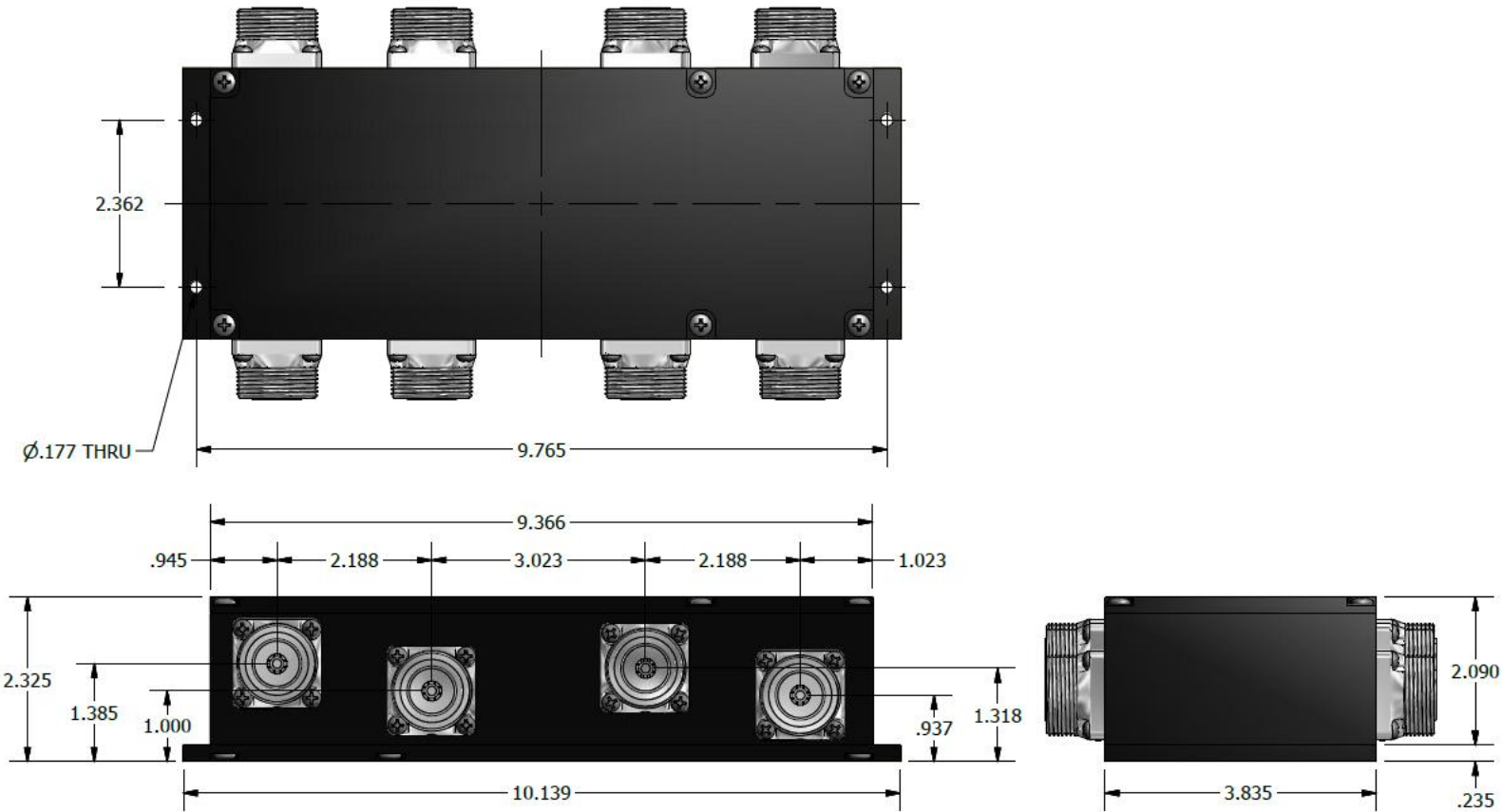

**MECHANICAL SPECIFICATIONS:**

Connectors:	7/16 DIN (Female)
Housing Finish:	Aluminum Body
Mounting Method:	Mounting Holes
Temperature Range:	-30°C to 80°C
Weight:	7 lbs
Humidity:	100%
Environment:	IP67

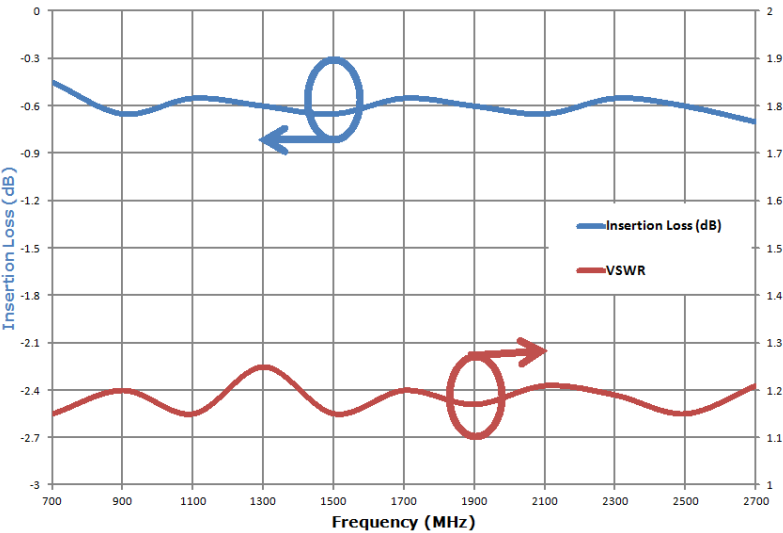
**ELECTRICAL SPECIFICATIONS:**

Frequency Range:	698MHz – 2700MHz
Insertion Loss:	6.8 dB (Typ) (Incl 6dB splitting loss)
Isolation:	30.00 dB (Typ)
VSWR:	1.20 (Typ)
Impedance:	50 Ohms
Input Power:	500 Watts (Avg) / Port
Intermodulation (PIM - 3rd):	-157 dBc (Typ) (2Tones +43dBm)
DC Path:	IN PORT1 → OUT PORT4 IN PORT2 → OUT PORT2 IN PORT3 → OUT PORT3 IN PORT4 → OUT PORT1 (Max 6.5A AISG2 Conform)

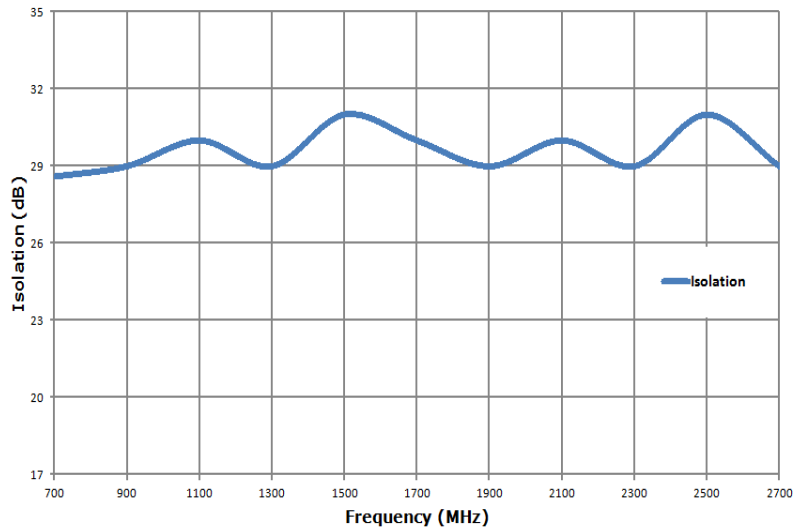
**Dimensions for 231-700-2700-2-D**



**Insertion Loss & VSWR**



**Isolation**



Please contact our sales department at 914-230-4060 or [sales@innowaverf.com](mailto:sales@innowaverf.com) for any custom requirements.

© Innowave RF, LLC. All Rights Reserved. Specs can change without notice. Drawings are for reference purpose only.