

Innovation in Every Wave

221-380-2700-2 is a 4 port Hybrid coupler that can be used to combine any 2 signals in the 380 MHz - 2700 MHz range. The combined signals will appear at both the output ports. These are symmetric devices so Inputs and Outputs can be used interchangeably. It can also be used to split one input signal into 2 output ports. The unused port must be always terminated with a 50 Ohm Load. These hybrid combiners can be used over a wide range of temperature and environmental conditions.

FEATURES:

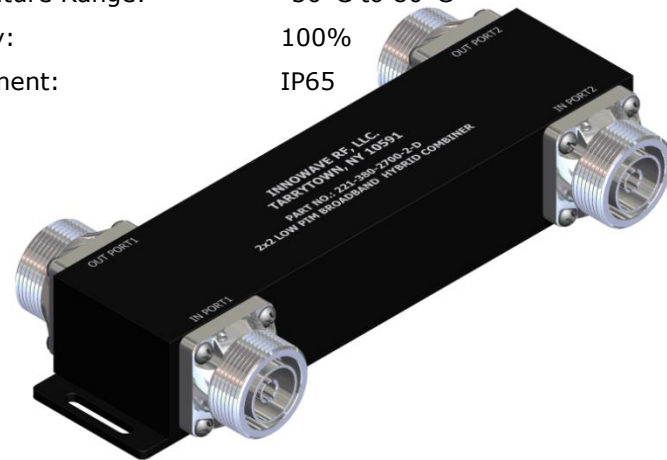
- Combines 2 signals in the 380MHz – 2700MHz
- Best-in-class Isolation between the 2 signals
- Very low Insertion Loss
- Low-PIM & High Power Handling
- ROHS Complaint
- Ease of Mounting with mounting holes
- Available in 7/16 DIN and Type-N Connectors
- Weatherproof for Outdoor use
- In Stock and Available Immediately

ELECTRICAL SPECIFICATIONS:

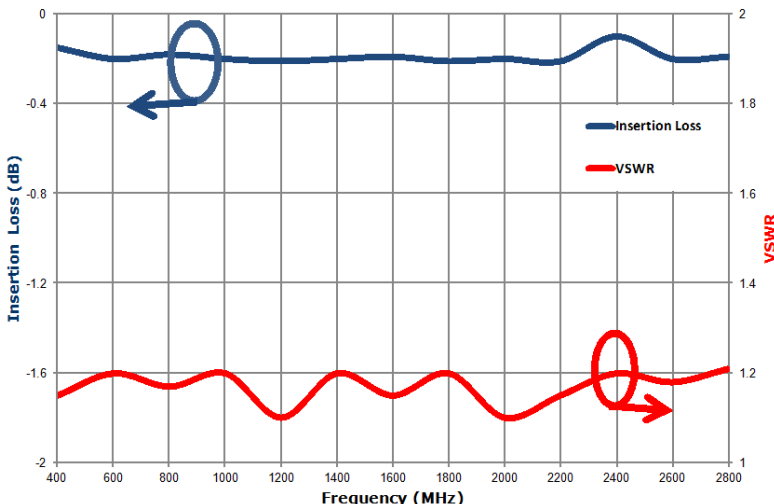
Frequency Range:	380MHz – 2700MHz
Insertion Loss:	0.20 dB (Typ)
Isolation:	29.00 dB (Typ)
VSWR:	1.20 (Typ)
Impedance:	50 Ohms
Input Power:	500 Watts (Avg)
Intermodulation (PIM - 3rd):	-155 dBc (Typ) (2Tones +43dBm)

MECHANICAL SPECIFICATIONS:

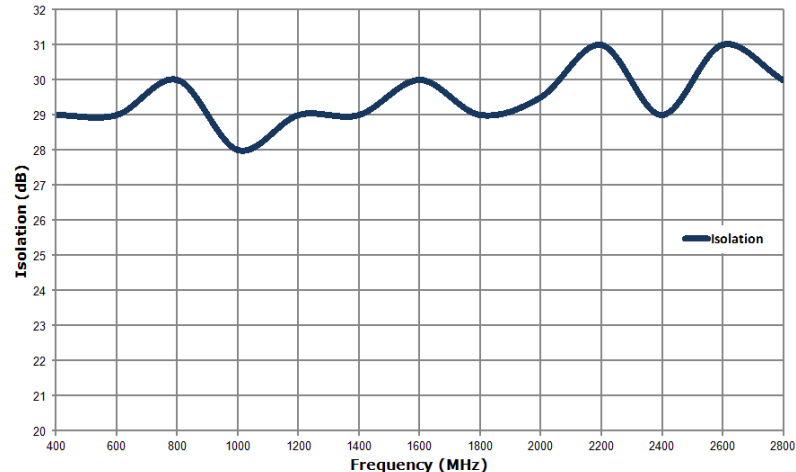
Connectors:	Type-N (Female) & 7/16 DIN (Female)
Housing Finish:	Aluminum Body
Mounting Method:	Mounting Holes
Temperature Range:	-30°C to 80°C
Humidity:	100%
Environment:	IP65



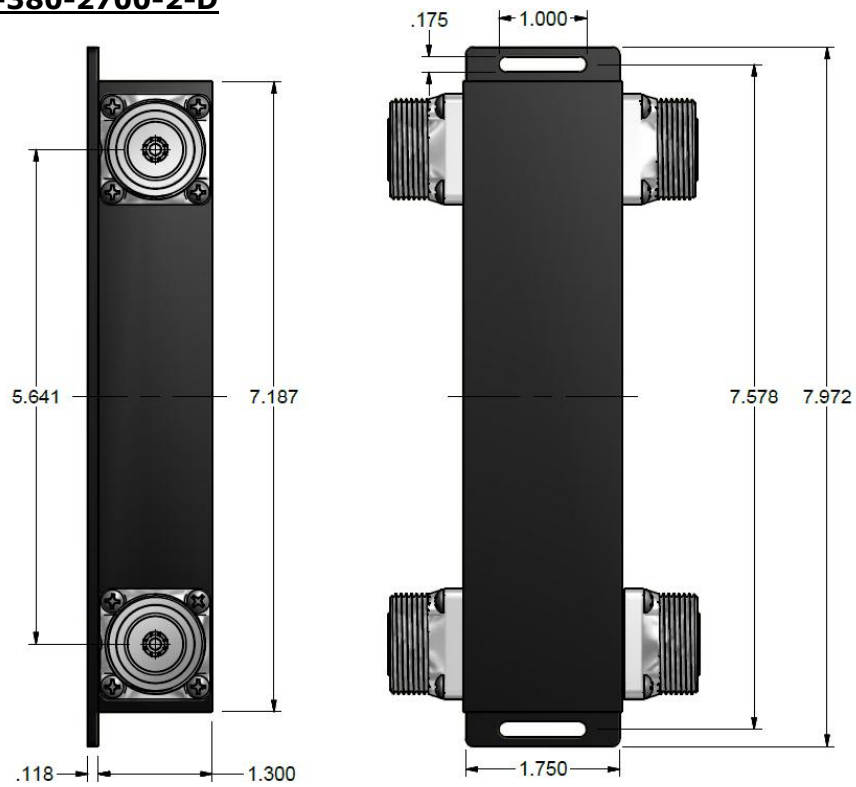
Insertion Loss & VSWR



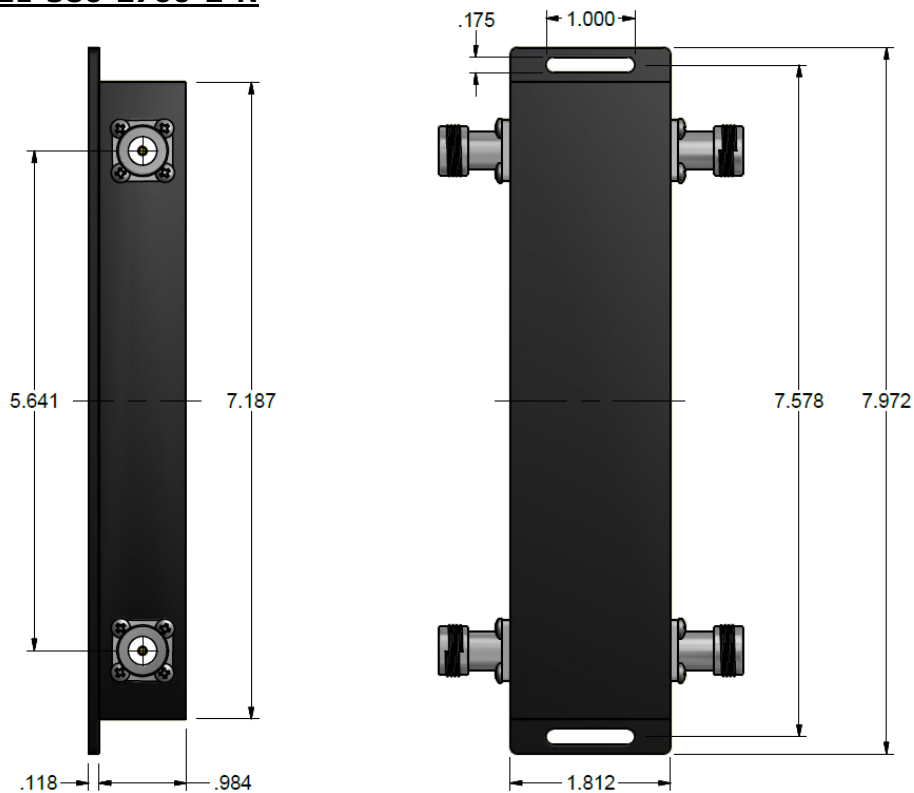
Isolation



Dimensions for 221-380-2700-2-D



Dimensions for 221-380-2700-2-N



Please contact our sales department at 914-230-4060 or sales@innowaverf.com for any custom requirements.

© Innowave RF, LLC. All Rights Reserved. Specs can change without notice. Drawings are for reference purpose