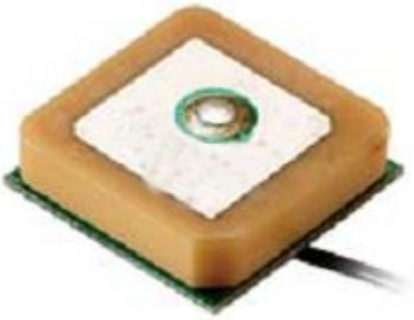
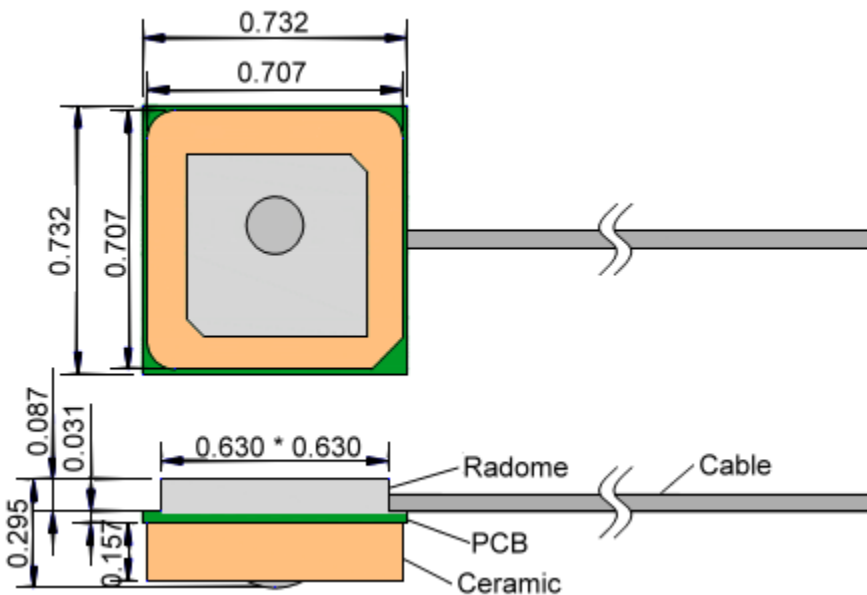


**732-GPS** is a Low Profile Internal Active GPS Antenna. It's a High performance GPS antenna with a very small footprint for covert and non-noticing applications where size and performance are very critical. It can be used for various location based services such as M2M, Remote monitoring, Timing for base stations and Vehicle fleet tracking. The body of the antenna is made to withstand stringent series of environmental tests including, temperature Endurance, Moisture, Drop Test, Thermal shock and Vibration. The standard cable length for this antenna is 50mm and the standard connector is IPEX / Hirose equivalent.


**FEATURES:**

- Two Stage 30 dB Gain
- Front end Saw Filter
- Low Profile, discrete design
- Applications include M2M, Remote monitoring, Timing for base stations and Vehicle fleet tracking


**ELECTRICAL SPECIFICATIONS:**
**Antenna**

Center Frequency:	1575.42 ±1MHz
Band Width:	C <sub>f</sub> ±5MHz
Polarization:	RHCP
Impedance:	50 Ohms
VSWR:	< 1.50
Gain:	3 dBi (Zenith)
Axial Ratio:	3 dB (Max)

**LNA**

LNA Gain:	30 dB
Noise Figure:	< 1.5 dB
Filter Insertion Loss:	< 3 dB
Ex-band Attenuation:	20 dB @ C <sub>f</sub> ±50MHz
Supply Voltage:	1.8 ~ 5.5 VDC
Current Consumption:	5 ~ 15 mA
VSWR:	< 2.00
Connectors:	IPEX, MMCX, Hirose
Cable:	RF1.13/RG174/RG178

**MECHANICAL SPECIFICATIONS:**

Operating Temp:	-40°C to 85°C
Humidity:	Non condensing 65°C 95% RH
Vibration:	10 - 55 Hz with 1.5mm Amplitude
RoHS Compliant:	Yes

Please contact our sales department at 914-230-4060 or [sales@innowaverf.com](mailto:sales@innowaverf.com) for any custom requirements.

© InnowaveRF, LLC. All Rights Reserved. Specs can change without notice. Drawings are for reference purpose only.